

Haier

ENGLISH	INSTALLATION AND USER'S MANUAL
ITALIANO	MANUALE D'INSTALLAZIONE E D'USO
FRANÇAIS	NOTICE D'INSTALLATION ET D'UTILISATION
ESPAÑOL	MANUAL DE USO E INSTALACIÓN
ČESTINA	NÁVOD K INSTALACI A POUŽITÍ
SLOVENČINA	NÁVOD NA INŠTALÁCIU A POUŽITIE
PORTUGUÊS	MANUAL DO UTILIZADOR E DE INSTALAÇÃO
DEUTSCH	EINBAU- UND BEDIENUNGSANLEITUNG
POLAND	INSTRUKCJA OBSŁUGI I INSTALACJI
NEDERLANDS	HANDLEIDING VOOR INSTALLATIE EN GEBRUIK
ΕΛΛΗΝΙΚΑ	ΕΓΚΑΤΑΣΤΑΣΗ ΚΑΙ ΕΓΧΕΙΡΙΔΙΟ ΧΡΗΣΤΗ
TÜRKÇE	KURULUM VE KULLANIM KILAVUZU

INSTALLATION AND USER'S MANUAL

CONTENT

INTRODUCTION	02
SAFETY PRECAUTION	02
ELECTRICAL INSTALLATION	04
SPECIFICATION	05
INSTALLATION (VENT OUTSIDE)	06
INSTALLATION (VENT INSIDE)	13
DESCRIPTION OF COMPONENTS	14
OPERATION	14
MAINTENANCE	17
TROUBLESHOOTING	18
CONFORMITY WITH DIRECTIVES	19
ENVIRONMENTAL PROTECTION	19

INTRODUCTION

Thank you for choosing this cooker hood.

This instruction manual is designed to provide you with all required instructions related to the installation, use and maintenance of the appliance. In order to operate the unit correctly and safety, please read this instruction manual carefully before installation and usage.

The cooker hood uses high quality materials, and is made with a streamlined design. Equipped with large power electric motor and centrifugal fan, it also provides strong suction power, low noise operation, non-stick grease filter and easy assembly installation.

Hereby, Candy Hoover Group Srl declares that the radio equipment is in compliance with Directive 2014/53/EU and with the relevant Statutory Requirements (for the UKCA market).

The full text of the declaration of conformity is available at the following internet address: www.candy-group.com

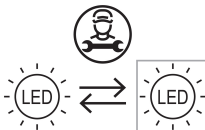
SAFETY PRECAUTION

- Never let the children operate the machine.
- The cooker hood is for home use only, not suitable for barbecue, roast shop and other commercial purpose.
- The cooker hood and its filter should be clean regularly in order to keep in good working condition.
- Clean the cooker hood according to the instruction manual and keep the unit from danger of burning.
- Forbid the direct baking from the gas cooker.
- Please keep the kitchen room a good convection.
- Before connecting this appliance check that the power supply cord is not damaged. A damage supply cord must be replaced by qualified service personnel only.
- There shall be adequate ventilation of the room when the range hood is used at the same time as appliances burning gas or other fuels;
- The air must not be discharged into a flue that is used for exhausting fumes from appliances burning gas or other fuels;
- Regulations concerning the discharge of air have to be fulfilled.

- Children should be supervised to ensure that they do not play with the appliance.
- Do not flambé under the range hood.
The range hood is not intended to be installed over a hob having more than four hob elements
- These shall be adequate ventilation of the room when the range hood is used at the same time as appliances burning gas or other fuels(not applicable to appliances that only discharge the air back into the room);
- the details concerning the method and frequency of cleaning.
- there is a fire risk if cleaning is not carried out in accordance with the instructions;
- do not flame under the range hood;
- CAUTION: Accessible parts may become hot when used with cooking appliances.

Electrical Shock Hazard

- ~ Only plug this unit into a properly earthed outlet. If in doubt seek advice from a suitably qualified engineer.
- ~ Failure to follow these instructions can result in death, fire, or electrical shock.



The lamp used in this product is not suitable for use in the lighting of a room.

The purpose of this lamp is to provide illumination for using the product.

Electrical Installation

All installation must be carried out by a competent person or qualified electrician. Before connecting the mains supply ensure that the mains voltage corresponds to the voltage on the rating plate.

Direct Connection

The appliance must be connected directly to the mains using an omnipolar circuit breaker with a minimum opening of 3mm between the contacts.

The installer must ensure that the correct electrical connection has been made and that it complies with the wiring diagram.

The cable must not be bent or compressed.


Regularly check the power plug and power cord for damage. If the supply cord is damaged, it must be replaced by a special cord or assembly available from the manufacturer or its service agent.

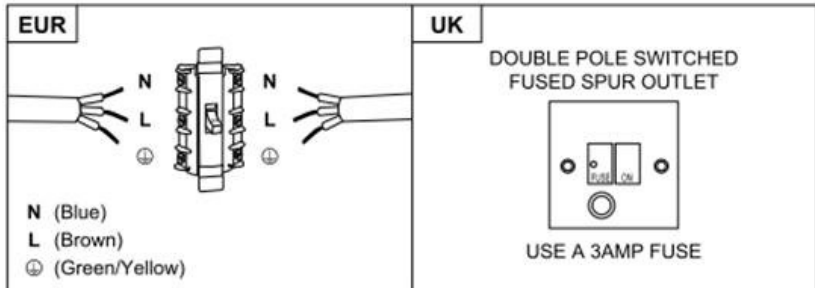
WARNING: This is a Class I appliance and MUST be earthed

This appliance is supplied with a 3 core mains cable coloured as follows:

Brown = L or Live

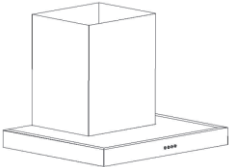
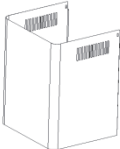
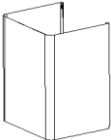

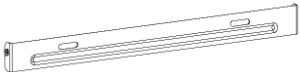
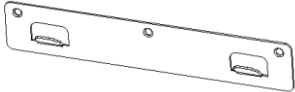





Blue = N or Neutral

Green and Yellow = E or Earth 



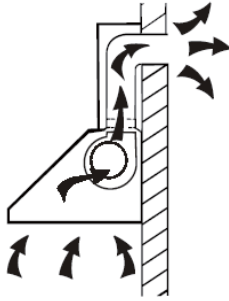
The fuse must be rated at 3 Amps.

Standard Installation Accessories List

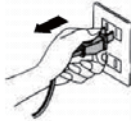
Spec.	Illustration Picture	Qty
Casing		1
Upper Chimney		1
Lower Chimney		1
Lower chimney bracket		1
Upper chimney bracket		1
Hanging Board		1
$\phi 8$ rawl plugs $\phi 8 \times \phi 6$ white color		9
Screws ST4.0x30		9
$\phi 7.2$ screws ST4.0x8		2
Air outlet		1
Carbon filter		2

INSTALLATION (wall mounting)

If you have an outlet to the outside, your cooker hood can be connected as below picture by means of an extraction duct (enamel, aluminum, flexible pipe non flammable with an interior diameter of 150mm)



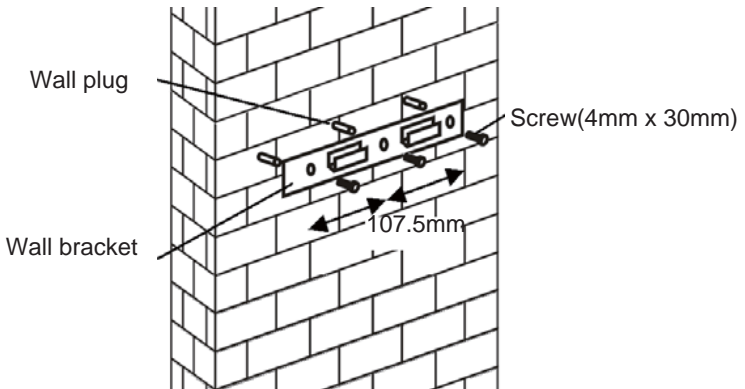
1. Before installation, turn the unit off and unplug it from the outlet.



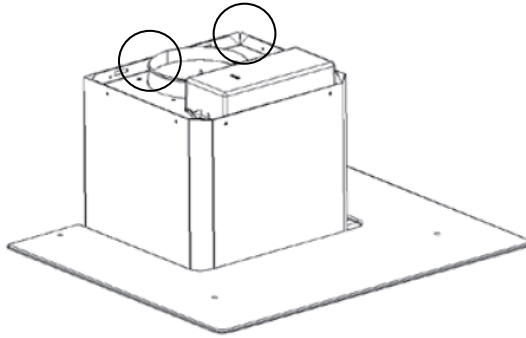
2. The cooker hood should be placed at a distance of 65~75cm above the cooking plane for best effect.



3. Drill 3 x 8mm holes to accommodate the bracket. Screw and tighten the bracket onto the wall with the screws provided.



4. Leave up the cooker hood and hang onto the wall bracket hook.

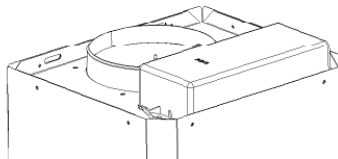


5. Fix the one-way-valve to the air outlet of the cooker hood. Then, attached the exhaust pipe onto the one-way-valve as shown below.

Exhaust pipe

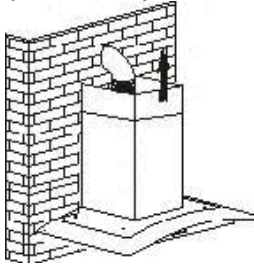


Cooker hood

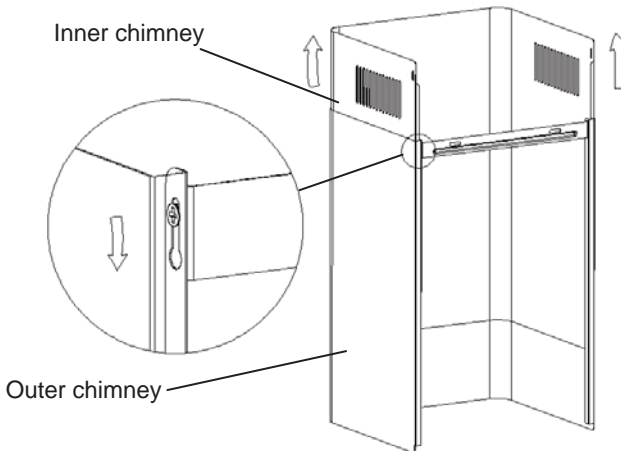


6.

- i. Place the glass in appropriate position on the top the cooker hood.
 - ii. Fix with 4 screws and washer. In order to avoid the glass cracking, please do not tighten the screws too strongly.
- i. By Put the inner chimney into outer chimney .Then pulling out the inner chimney upwards. Adjust to reach the height required.

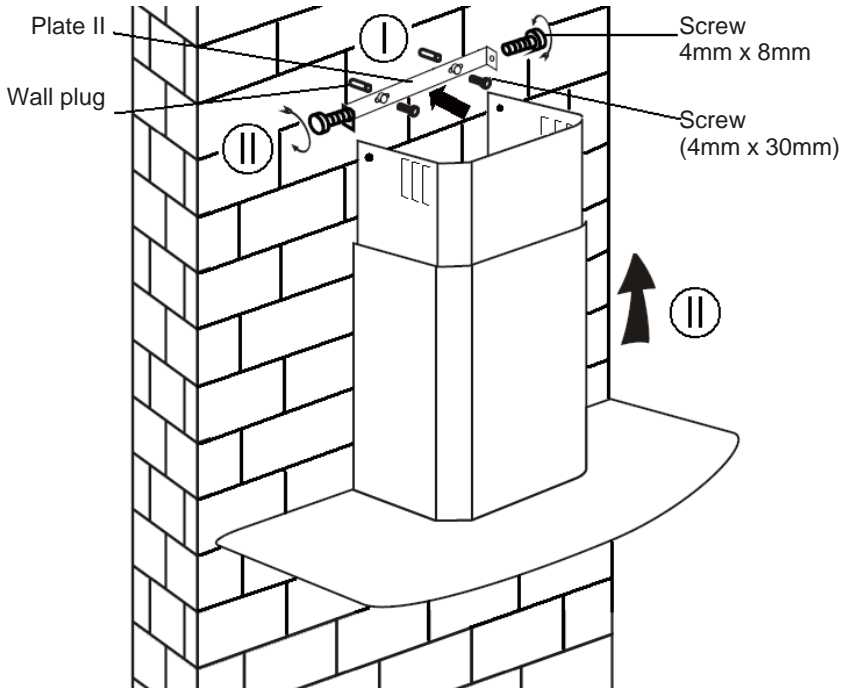


- ii. Sliding the chimney to adjust the chimney height. When the height you required is reached, then hang the fixing hole to the fixing screws as showed in below pictures.

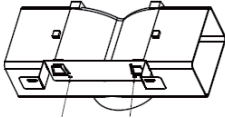
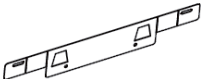





8.

- i. Drill 2 x 8mm holes to accommodate the plate II. Screw and tighten the plate II onto the wall with 2 screws provided.
- ii. Assemble the chimney onto the unit and fix it with 2 screws.



Standard Installation Accessories List

Spec.	Illustration Picture	Qty
Air Deflector		1
Bracket		1
φ8 rawl plugs φ8×φ6 white color		2
Screws ST4.0×30		2
Screws ST3.5×12		2

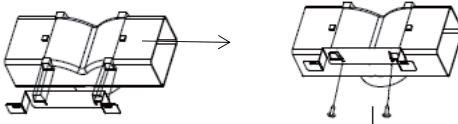
INSTALLATION(AIR DEFLECTOR):

Air deflector is mentioned as included and not optional.

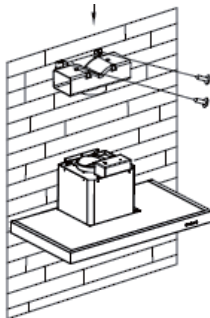
1. Before installation,curve both ends of the bracket as shown below:



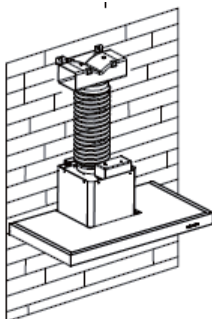
2. Fix the bracket to the T-shaped plastic outlet with 2pcs ST3.5x12mm screws provided.



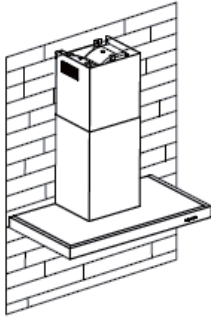
3. Drill 2 holes to accommodate the wall plugs, then screw and tighten the bracket onto the wall with 2pcs ST4x30mm screws provided.



4. Attach the exhaust pipe onto the air outlet of the cooker hood as shown below:



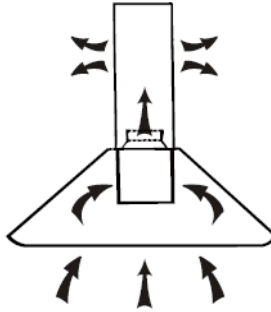
5. Install the chimney to the unit and fix it.



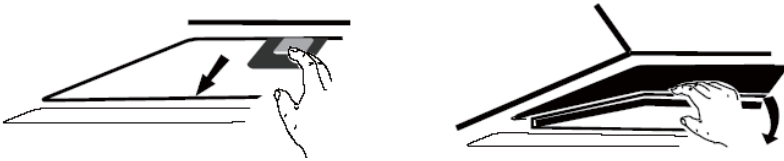
- o “Please kindly be noted: T-shaped plastic outlet and v-flaps can not be used at the same time. You can use them in two ways: 1) Add v-flap on existing outlet; 2) Use T-shaped plastic outlet, no add v-flap.”
- o “Note: The product is provided with v-flap accessory. This accessory is not mandatory for installation, operation and use of the product.”

INSTALLATION (VENT INSIDE)

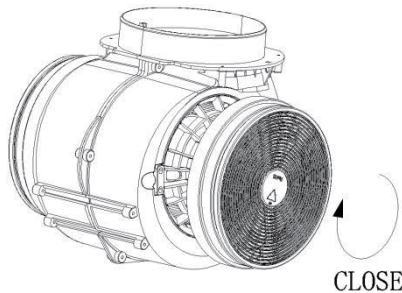
If you do not have an outlet to the outside, exhaust pipe is not required and the installation is similar to the one show in section “INSTALLATION (VENT OUTSIDE)”.



Activated carbon filter can be used to trap odors. In order to install the activated carbon filter, the grease filter should be detached first. Press the lock and pull it downward.



Plug the activated carbon filter into the unit and turn it in clockwise direction. Repeat the same on the other side.



NOTE:

- o *Make sure the filter is securely locked. Otherwise, it would loosen and cause dangerous.*
- o *When activated carbon filter attached, the suction power will be lowere*

DESCRIPTION OF COMPONENTS

CONFIGURATION 1

1

2

3

B

B⁺



OPERATION

1

Low Speed button

It's used for Ventilation on the kitchen. It is suitable for simmering and cooking which do not make much steam.

2

Medium Speed button

Airflow speed is ideally for ventilation in standard cooking operation.

3

High Speed button

When high density of smoke or steam produced, press high-speed button for high effective ventilation.

B

Boost 1(speed 4)

Press speed b button 1, the backlit of speed B button is on, and the cooker hood is working at boost mode ;

B⁺

Boost 2(speed 5)

Press speed b button 2, the backlit of speed B⁺ button is on, and the cooker hood is working at boost mode ;



Light

Short press for lighting on & off

Quick timer: Long press the light button hold for 3 seconds, fan speed buttons will flashing & into 5minutes count down, after 5 minutes motor & light will turn off automatic with three Buzzer sound.



Wi-Fi Connection

Long press WiFi icon and enter into connecting mode: the backlit of WiFi icon keep flashing indicate the connection is under connecting, the backlit of WiFi icon is light on indicate it is connected, same for standby mode; long press WiFi icon again and the connection will be stopped;

CONFIGURATION 2

1

2

3

B



STANDBY MODE.

After plug in, all lighting, system in **STANDBY MODE**.

1

Low Speed button

It's used for Ventilation on the kitchen. It is suitable for simmering and cooking which do not make much steam.

2

Medium Speed button

Airflow speed is ideally for ventilation in standard cooking operation.

3

High Speed button

When high density of smoke or steam produced, press high-speed button for high effective ventilation.

B

Booster function

This hood has a booster function. To activate the booster, Press

B to speed 4, enter into highest speed while the hood is in use and it will increase speed for 5 minutes, before slowing down again.



Light

Short press for lighting on & off

Quick timer: Long press the light button hold for 3 seconds, fan speed buttons will flashing & into 5minutes count down, after 5 minutes motor & light will turn off automatic with three Buzzer sound.



Wi-Fi Connection

Long press WiFi icon and enter into connecting mode: the backlit of WiFi icon keep flashing indicate the connection is under connecting, the backlit of WiFi icon is light on indicate it is connected, same for standby mode; long press WiFi icon again and the connection will be stopped;

Download hOn App



First of all, you should download hOn APP and install to your portable device. Then enroll your hood.



NOTE

Get ready to add your appliance

- 1 Stay close to your appliance
- 2 While in front of your appliance, ensure that your smartphone is connected to a 2.4GHz Wi-Fi network with a stronger signal
[CHANGE WI-FI SETTINGS](#)
- 3 Public networks are not allowed due to low security and reliability.
- 4 Prepare to enter your Home Wi-Fi password.

ENROLLMENT HAIER HOOD



The image of the hood has the only purpose of presenting it. May not be perfectly representative.

1- Press the WiFi button until the icon starts blinking When the pairing is completed the WiFi icon will be on.

MAINTENANCE

Before cleaning switch the unit off and pull out the plug.

I. Regular Cleaning

Use a soft cloth moistened with hand-warm mildly soapy water or household cleaning detergent. Never use metal pads, chemical, abrasive material or stiff brush to clean the unit.

II. Monthly Cleaning for Grease Filter

ESSENTIAL: Clean the filter every month can prevent any risk of fire.

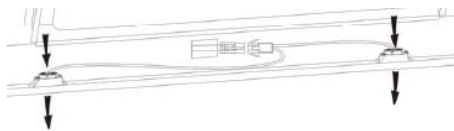
The filter collects grease, smoke and dust..... so the filter is directly affecting the efficiency of the cooker hood. If not cleaned, the grease residue (potential flammable) will saturate on the filter. Clean it with household cleaning detergent.

III. Annual Cleaning for Activated Carbon Filter

Apply SOLELY to unit that installed as a recirculation unit (not vented to the outside). This filter traps odors and must be replaced at least once a year depending on how frequent the cooker hood used.

IV. Changing a light bulb

Remove the screws on the glass, take off the hood glass. Find the bulb that requires replacement, you will find it located in the light fixture which is inside the exposed section of the canopy.



Disconnect the light wiring point and remove the bulb holders and wiring from the hood. Important: It's not possible to replace the bulbs individually, it will be necessary to obtain the bulbs, bulb holders and wiring as a complete part. (LED light: MAX 1.5W)

Fit the replacement bulbs, bulb holders and wiring in the same manners as the originals. Then reconnect the light wiring point.

Refit the hood glass and fasten the glass screws. Make sure the screws are fully tightened.

TROUBLESHOOTING

Fault	Cause	Solution
Light on, but fan does not work	The fan blade is jammed.	Switch off the unit and repair by qualified service personnel only.
	The motor is damaged.	
Both light and fan do not work	Halogen light bulb burn.	Replace the bulb with correct rating.
	Power cord looses.	Plug in to the power supply again.
Serious Vibration of the unit	The fan blade is damaged.	Switch of the unit and repair by qualified service personnel only.
	The fan motor is not fixed tightly.	Switch off the unit and repair by qualified service personnel only.
	The unit is not hung properly on the bracket.	Take down the unit and check whether the bracket is in proper location.
Suction performance not good	Too long distance between the unit and the cooking plane	Readjust the distance to 65-75cm

Technology	Wi-Fi
Standard	802.11 b/g/n
Frequency Band(s)[MHz]	2400 MHz - 2483.5 MHz
Maximum Power[mW]	100 mW

Product information for networked equipment	
power consumption of the product in networked standby if all wired network ports are connected and all wireless network ports are activated:	2W
How to activate wireless network port:	If the Hood has been enrolled with the APP, turn on the Hood to activate wireless network port.
How to deactivate wireless network port:	If the Hood has been enrolled with the APP, turn off the Hood to deactivate wireless network port. If the Hood hasn't been enrolled with the APP, wireless network port will be deactivated even the Hood is on.

CUSTOMER ASSISTANCE SERVICE

If you cannot identify the cause of the operating anomaly, switch off the appliance and contact the Assistance Service.

PRODUCT SERIAL NUMBER. Where can I find it?

It is important you to inform the Assistance Service of your product code and its serial number (a 16 character code which begins with the number 3); this can be found on the guarantee certificate or on the data plate located on the appliance.

It will help to avoid wasted journeys to technicians, thereby (and most significantly) saving the corresponding callout charges.

This appliance is marked according to the European directive 2012/19/EU on Waste Electrical and Electronic Equipment (WEEE).



WEEE contains both polluting substances (which can cause negative consequences for the environment) and basic components (which can be re-used). It is important to have WEEE subjected to specific

treatments, in order to remove and dispose properly all pollutants, and recover and recycle all materials.

Individuals can play an important role in ensuring that WEEE does not become an environmental issue; it is essential to follow some basic rules:

WEEE should not be treated as household waste;

WEEE should be handed over to the relevant collection points managed by the municipality or by registered companies. In many countries, for large WEEE, home collection could be present.

In many countries, when you buy a new appliance, the old one may be returned to the retailer who has to collect it free of charge on a one-to-one basis, as long as the equipment is of equivalent type and has the same functions as the supplied equipment.

MANUALE D'INSTALLAZIONE E D'USO

INDICE

INTRODUZIONE.....	21
AVVERTENZE PER LA SICUREZZA.....	21
IMPIANTO ELETTRICO	23
INSTALLAZIONE (MONTAGGIO A PARETE)	25
INSTALLAZIONE (SFIATO INTERNO)	31
DESCRIZIONE DEI COMPONENTI.....	33
MANUTENZIONE	36
QUALCOSA NON FUNZIONA	37
SERVIZIO ASSISTENZA CLIENTI	38

INTRODUZIONE

Grazie per aver scelto questa cappa.

Il presente manuale di istruzioni ha lo scopo di fornire tutte le istruzioni necessarie per l'installazione, l'uso e la manutenzione dell'elettrodomestico. Per un uso corretto e sicuro dell'elettrodomestico, leggere attentamente questo manuale di istruzioni prima dell'installazione e dell'uso.

La cappa utilizza materiali di alta qualità ed è realizzata con un design aerodinamico. Dotata di motore elettrico di grande potenza e ventola centrifuga, fornisce anche una forte potenza di aspirazione, funzionamento a basso rumore, filtro antiaderente per grassi e facile installazione di montaggio.

Con la presente Candy Hoover Group Srl dichiara che l'apparecchiatura radio è conforme alla Direttiva 2014/53/UE e ai relativi requisiti di legge (per il mercato UKCA). Il testo completo della dichiarazione di conformità è disponibile al seguente indirizzo internet: www.candy-group.com

AVVERTENZE PER LA SICUREZZA

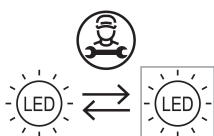
- Non lasciare mai che i bambini facciano funzionare l'elettrodomestico.
- La cappa è destinata al solo uso domestico e non è adatta per barbecue, rosticcerie e altri usi commerciali.
- La cappa e il suo filtro devono essere puliti regolarmente per garantirne il buono stato di funzionamento.
- Pulire la cappa secondo il manuale di istruzioni per evitare il rischio di bruciature.
- Si sconsiglia la cottura diretta dal fornello a gas. Si consiglia di tenere una buona convezione in cucina.
- Prima di collegare l'elettrodomestico controllare che il cavo di alimentazione non sia danneggiato. Un cavo di alimentazione danneggiato deve essere sostituito solo da personale di assistenza qualificato.
- Deve esserci un'adeguata ventilazione dell'ambiente quando si utilizza la cappa aspirante insieme ad elettrodomestici con combustione a gas o altri combustibili;
- L'aria non deve essere scaricata in una canna fumaria usata per i fumi da elettrodomestici con combustione a gas o altri;
- È necessario rispettare le normative relative allo scarico dell'aria.
- I bambini devono essere supervisionati per assicurarsi che

non giochino con l'elettrodomestico.

- Non effettuare cotture flambé sotto la cappa aspirante.
- La cappa non è destinata ad essere installata su un piano cottura con più di quattro elementi di cottura
- Questi devono essere un'adeguata ventilazione della stanza quando la cappa aspirante è usata allo stesso tempo di elettrodomestici che bruciano gas o altri combustibili (non applicabile agli elettrodomestici che scaricano solo l'aria indietro nella stanza);
- i dettagli relativi al metodo e alla frequenza della pulizia.
- se la pulizia non viene effettuata in accordo con le istruzioni, sussiste il rischio di incendi;
- non accendere fiamme libere sotto la cappa aspirante;
- **ATTENZIONE:** le parti accessibili possono diventare calde quando vengono utilizzate con elettrodomestici di cottura.

Rischio di elettrocuzione

- Inserire l'elettrodomestico solo in una presa correttamente collegata a terra. In caso di dubbio, rivolgersi ad un tecnico qualificato.
- Il mancato rispetto di queste istruzioni può provocare la morte, incendi o elettrocuzione.



La lampada utilizzata in questo prodotto non è adatta per l'uso nell'illuminazione di una stanza.

Lo scopo di questa lampada è fornire illuminazione per l'utilizzo del prodotto.

Impianto elettrico

Tutte le installazioni devono essere eseguite da una persona competente o da un elettricista qualificato. Prima di collegare l'alimentazione di rete, assicurarsi che la tensione di rete corrisponda a quella indicata sulla targhetta.

Collegamento diretto

L'elettrodomestico deve essere collegato direttamente alla rete usando un interruttore onnipolare con un'apertura minima di 3 mm tra i contatti.

L'installatore deve assicurarsi che sia stato effettuato il corretto collegamento elettrico e che sia conforme allo schema elettrico.

Il cavo non deve essere piegato o schiacciato.


Controllare regolarmente che la spina e il cavo di alimentazione non siano danneggiati. Se il cavo di alimentazione è danneggiato, deve essere sostituito con un cavo o un gruppo di cavi speciale disponibile dal produttore o dal suo agente di servizio.

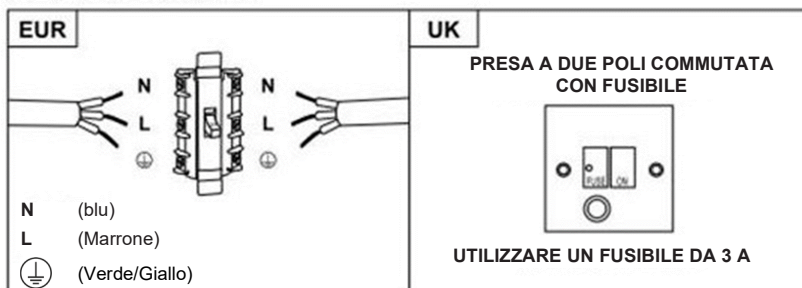
AVVERTENZA: Questo è un elettrodomestico di classe I e DEVE essere messo a terra

Questo elettrodomestico viene fornito con un cavo di rete a 3 conduttori colorato come segue:

Marrone = L o alimentato

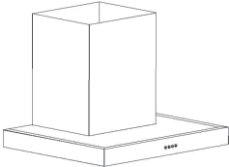
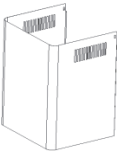
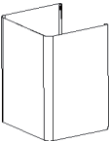

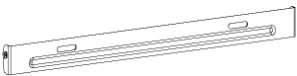
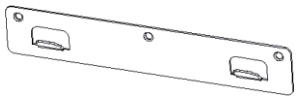





Blu = N o Neutro

Verde e giallo = E o Terra 



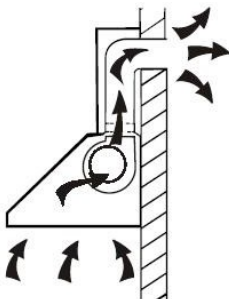
Il fusibile deve avere una potenza di 3 A.

Elenco degli accessori per l'installazione standard

Specif.	Illustrazione Immagine	Quantità
Involucro		1
Canna fumaria superiore		1
Canna fumaria inferiore		1
Staffa canna fumaria inferiore		1
Staffa canna fumaria superiore		1
Piastra di sospensione		1
Tassello ad espansione Ø 8 Ø 8xØ 6 colore bianco		9
Viti ST4,0x30		9
Viti Ø 7,2 ST4,0x8		2
Uscita dell'aria		1
Filtro al carbonio		2

INSTALLAZIONE (montaggio a parete)

Se avete un'uscita verso l'esterno, la vostra cappa può essere collegata come nell'immagine sottostante per mezzo di un condotto di estrazione (smalto, alluminio, tubo flessibile non infiammabile con un diametro interno di 150 mm)



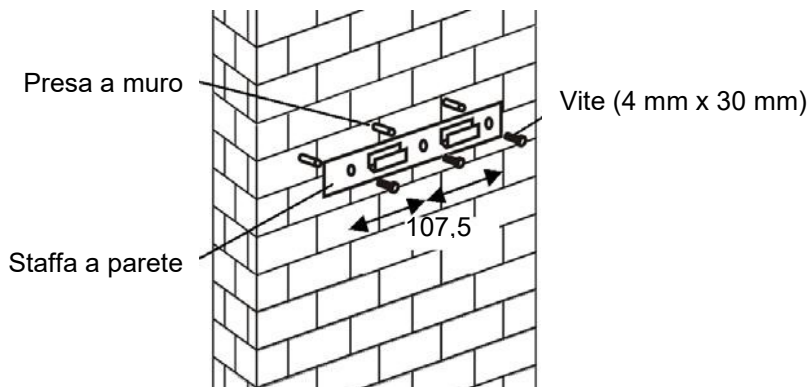
1. Prima dell'installazione, spegnere l'elettrodomestico e staccarlo dalla presa.



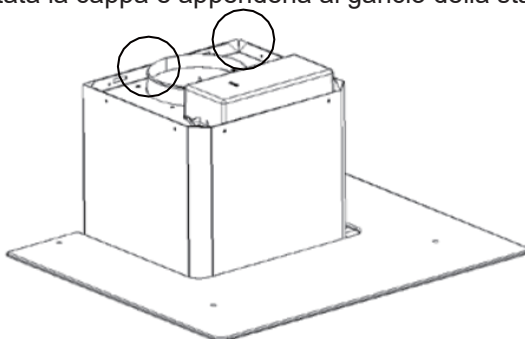
2. La cappa deve essere posizionata ad una distanza di circa 65-75 cm dal piano di cottura per ottenere i migliori effetti.



3. Praticare 3 fori da 8 mm per alloggiare la staffa. Avvitare e stringere la staffa sul muro con le viti fornite.



4. Lasciare montata la cappa e appenderla al gancio della staffa a muro.

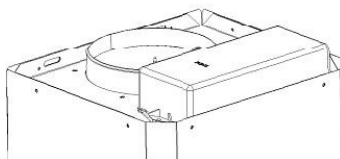


5. Fissare la valvola unidirezionale all'uscita dell'aria della cappa.
Poi, attaccare il tubo di scarico sulla valvola unidirezionale come mostrato qui sotto.

Tubo di scarico



Cappa

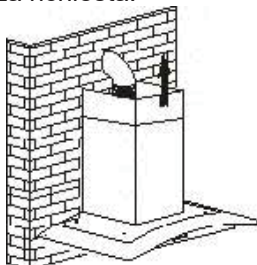


6.

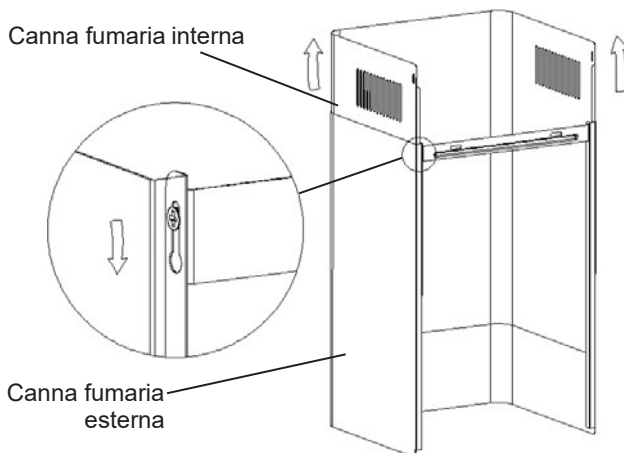
- i. Posizionare il vetro nella posizione appropriata sulla parte superiore della cappa.
- ii. Fissare con 4 viti e rondella. Per evitare che il vetro si incrina, si prega di non serrare troppo le viti.

7.

- i. Mettere la canna fumaria nella canna fumaria esterna, poi sollevare la canna fumaria interna tirando verso l'alto. Regolare fino a raggiungere l'altezza richiesta.

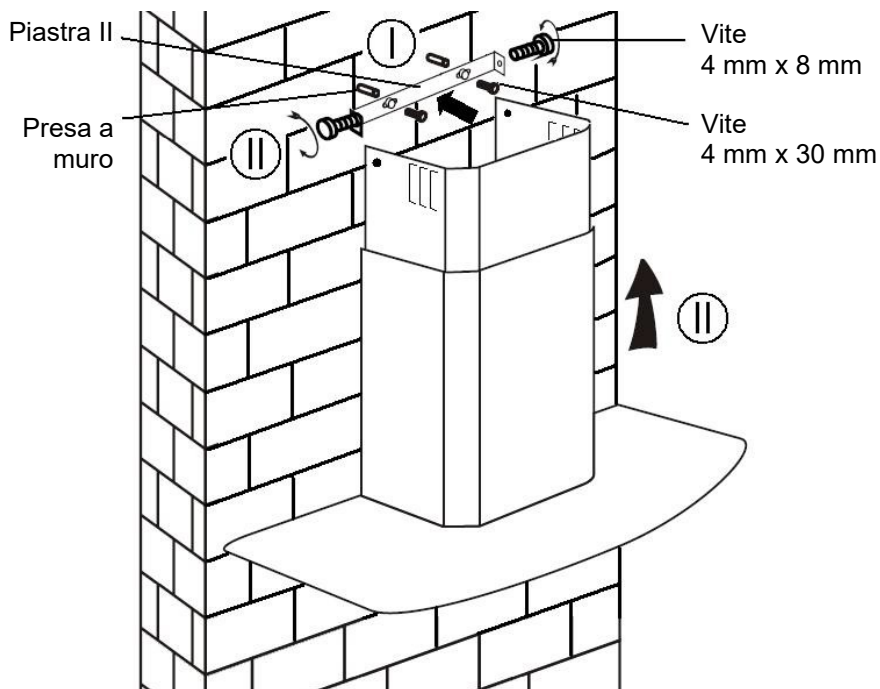


- ii. Fare scorrere la canna fumaria per regolarne l'altezza. Quando si raggiunge l'altezza desiderata, inserire il foro di fissaggio nelle viti di fissaggio come mostrato nelle immagini sottostanti.

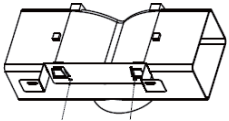
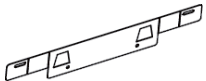





8.

- i. Praticare 2 fori da 8 mm per inserire la piastra II. Avvitare e serrare la piastra II al muro con 2 viti fornite.
- ii. Montare la canna fumaria sull'elettrodomestico e fissarla con 2 viti.



Elenco degli accessori per l'installazione standard

Specif.	Illustrazione Immagine	Quantità
Deflettore d'aria		1
Staffa		1
Tasselli ad espansione Ø 8 Ø8× Ø6 colore bianco		2
Viti ST4,0x30		2
Viti ST3,5x12		2

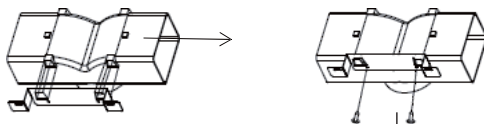
INSTALLAZIONE (DEFLETTORE D'ARIA):

Il deflettore d'aria è indicato come incluso e non opzionale.

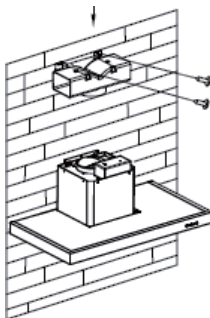
1. Prima del montaggio, curvare entrambe le estremità della staffa come mostrato di seguito:



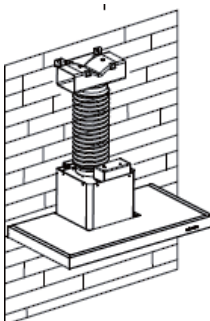
2. Fissare la staffa all'uscita in plastica a T con 2 viti ST3,5x12 mm fornite.



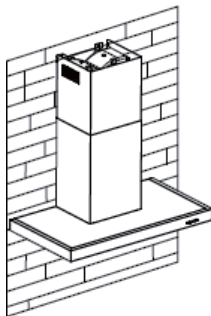
3. Praticare 2 fori per inserire i tasselli, poi avvitare e serrare la staffa sul muro con 2 viti ST4x30 mm fornite.



4. Fissare il tubo di scarico all'uscita dell'aria della cappa come mostrato di seguito:



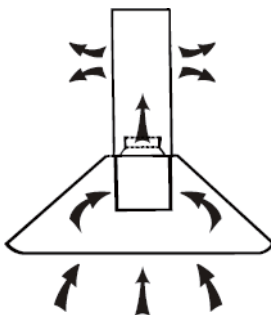
5. Installare la canna fumaria sull'elettrodomestico e fissarla.



- Notare quanto segue: L'uscita in plastica a T e le alette a V non possono essere usate contemporaneamente. Potete usarle in due modi: 1) Aggiungere un'aletta a V sull'uscita esistente; 2) Usare un'uscita in plastica a T, senza aggiungere un'aletta a V.
- Nota: Il prodotto viene fornito con l'accessorio aletta a V. Questo accessorio non è obbligatorio per il montaggio, il funzionamento e l'uso del prodotto.

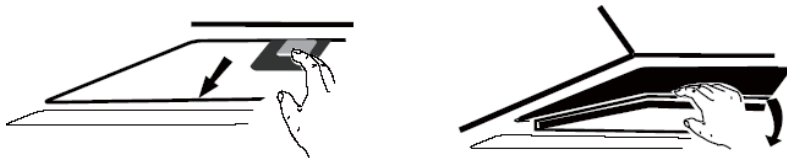
INSTALLAZIONE (SFIATO INTERNO)

Se non si dispone di uno scarico all'esterno, il tubo di scarico non è necessario e l'installazione è simile a quella indicata nella sezione "Installazione (scarico all'esterno)".

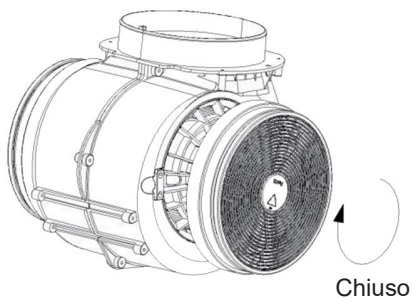


Il filtro al carbone attivo si utilizza per filtrare gli odori.

Per montare il filtro al carbone attivo, il filtro per grasso essere tolto. Premere il fermo e tirarlo verso il basso.



Mettere il filtro al carbone attivo nell'elettrodomestico e fissarlo facendolo ruotare. Ripetere la stessa operazione sull'altro lato.



NOTA:



- o *Accertarsi che il filtro sia fissato saldamente. In caso contrario, il filtro potrebbe staccarsi e provocare danni.*
- o *Quando il filtro al carbone attivo è collegato, la potenza di aspirazione diminuisce*

DESCRIZIONE DEI COMPONENTI

CONFIGURAZIONE 1

1 2 3 B B⁺  

FUNZIONAMENTO

- 1 Pulsante bassa velocità**
È usato per la ventilazione sulla cucina. È adatto per la cottura a fuoco lento e la cottura che non producono molto vapore.
- 2 Pulsante media velocità**
La velocità del flusso d'aria è ideale per la ventilazione durante la cottura standard.
- 3 Pulsante alta velocità**
Quando viene prodotta un'alta densità di fumo o vapore, premere il pulsante alta velocità per un'alta ventilazione efficace.
- B Boost 1 (velocità 4)**
Premere il pulsante 1 della velocità b, la retroilluminazione del pulsante della velocità B è accesa, e la cappa funziona in modalità boost;
- B⁺ Boost 2 (velocità 5)**
Premere il pulsante 2 della velocità b, la retroilluminazione della velocità B⁺ è accesa, e la cappa funziona in modalità boost;
-  **Luce**
Breve pressione per accendere e spegnere l'illuminazione
Timer rapido: Premere a lungo il pulsante luce e tenerlo premuto per 3 secondi, i pulsanti di velocità del ventilatore lampeggiano ed entro 5 minuti inizia il conto alla rovescia; dopo 5 minuti motore e luce si spengono automaticamente e l'avvisatore acustico si attiva per tre volte.
-  **Collegamento Wi-Fi**
Premere a lungo l'icona Wi-Fi ed entrare in modalità di collegamento: la retroilluminazione dell'icona Wi-Fi continua a lampeggiare per indicare che il collegamento è in corso, la retroilluminazione dell'icona Wi-Fi è accesa per indicare che è collegata, lo stesso dicasi per la modalità standby; premere nuovamente a lungo l'icona Wi-Fi e il collegamento verrà interrotto;

CONFIGURAZIONE 2

1

2

3

B



MODALITÀ STANDBY.

Dopo la connessione, tutte le luci e il sistema sono in **modalità STANDBY**.

1

Pulsante bassa velocità

È usato per la ventilazione sulla cucina. È adatto per la cottura a fuoco lento e la cottura che non producono molto vapore.

2

Pulsante media velocità

La velocità del flusso d'aria è ideale per la ventilazione durante la cottura standard.

3

Pulsante alta velocità

Quando viene prodotta un'alta densità di fumo o vapore, premere il pulsante alta velocità per un'alta ventilazione efficace.

B

Funzione booster

Questa cappa ha una funzione booster. Per attivare il booster, premere **B** alla velocità 4, entrare nella velocità massima mentre la cappa è in uso e aumenterà la velocità per 5 minuti, prima di rallentare nuovamente.



Luce

Breve pressione per accendere e spegnere l'illuminazione

Timer rapido: Premere a lungo il pulsante luce e tenerlo premuto per 3 secondi, i pulsanti di velocità del ventilatore lampeggiano ed entro 5 minuti inizia il conto alla rovescia; dopo 5 minuti motore e luce si spengono automaticamente e l'avvisatore acustico si attiva per tre volte.



Collegamento Wi-Fi

Premere a lungo l'icona Wi-Fi ed entrare in modalità di collegamento: la retroilluminazione dell'icona Wi-Fi continua a lampeggiare per indicare che il collegamento è in corso, la retroilluminazione dell'icona Wi-Fi è accesa per indicare che è collegata, lo stesso dicasi per la modalità standby; premere nuovamente a lungo l'icona Wi-Fi e il collegamento verrà interrotto;

Scaricare l'applicazione hOn



Prima di tutto, scaricare l'App hOn e installarla sul vostro dispositivo portatile. Poi registrare la propria cappa.



NOTA

Get ready to add your appliance

- 1 Stay close to your appliance
- 2 While in front of your appliance, ensure that your smartphone is connected to a 2.4GHz Wi-Fi network with a stronger signal

CHANGE WI-FI SETTINGS

- 3 Public networks are not allowed due to low security and reliability.
- 4 Prepare to enter your Home Wi-Fi password.

REGISTRAZIONE CAPPА HAIER



L'immagine della cappa ha il solo scopo di presentarla. Può non essere perfettamente rappresentativa.

1- Premere il pulsante Wi-Fi fino a quando l'icona non inizia a lampeggiare. Quando l'abbinamento è completato, l'icona Wi-Fi sarà accesa.

MANUTENZIONE

Prima della pulizia spegnere l'elettrodomestico ed estrarre la spina.

I. Pulizia regolare

Utilizzare un panno morbido inumidito con acqua tiepida leggermente insaponata o un detergente per la pulizia della casa. Non utilizzare mai tamponi metallici, prodotti chimici, abrasivi o spazzole rigide per pulire l'elettrodomestico.

II. Pulizia mensile del filtro per i grassi

ESSENZIALE: Pulire il filtro ogni mese può prevenire qualsiasi rischio di incendio.

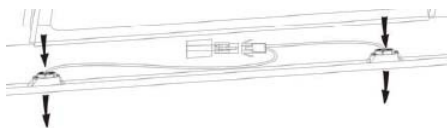
Il filtro raccoglie grasso, fumo e polvere... quindi il filtro influenza direttamente l'efficienza della cappa. Se non pulito, il residuo di grasso (potenzialmente infiammabile) si satura sul filtro. Pulirlo con un detergente per la casa.

III. Pulizia annuale del filtro a carbone attivo

Applicare SOLO all'elettrodomestico installato come unità di ricircolo (senza scarico verso l'esterno). Questo filtro trattiene gli odori e deve essere sostituito almeno una volta all'anno a seconda della frequenza di utilizzo della cappa.

IV. Cambiare una lampadina

Togliere le viti sul vetro, togliere il vetro della cappa. Trovare la lampadina che deve essere sostituita, la troverete situata nel dispositivo di illuminazione che si trova all'interno della sezione esposta della protezione.



Scollegare il punto di cablaggio della luce e rimuovere i portalampada e il cablaggio dalla cappa. Importante: Non è possibile sostituire le lampadine singolarmente, sarà necessario richiedere le lampadine, i portalampada e il cablaggio come ricambio completo. (Luce a LED: max. 1,5 W)

Montare le lampadine di ricambio, i portalampada e il cablaggio nello stesso modo dei componenti. Poi ricollegare il punto di cablaggio della luce.

Rimontare il vetro della cappa e fissare le viti del vetro. Assicurarsi che le viti siano completamente serrate.

QUALCOSA NON FUNZIONA

Anomalia	Causa	Cosa fare
La luce è accesa, ma la ventola non funziona	La pala della ventola è bloccata.	Spegnere l'elettrodomestico e fare riparare solo da personale di assistenza qualificato.
	Il motore è danneggiato.	
Sia la luce che la ventola non funzionano	Lampadina alogena bruciata.	Sostituire la lampada con un'altra di pari capacità.
	Il cavo di alimentazione si stacca.	Collegarlo di nuovo all'alimentazione.
Grave vibrazione dell'elettrodomestico	La pala della ventola è danneggiata.	Spegnere l'elettrodomestico e farlo riparare solo da personale di assistenza qualificato.
	Il motore della ventola non è fissato saldamente.	Spegnere l'elettrodomestico e fare riparare solo da personale di assistenza qualificato.
	L'elettrodomestico non è appeso correttamente alla staffa.	Togliere l'elettrodomestico e verificare che la staffa sia posizionata correttamente.
Potenza di aspirazione non buona	Distanza eccessiva tra l'elettrodomestico e il piano di cottura	Regolare nuovamente la distanza a 65-75 cm

Tecnologia	Wi-Fi
Norma	802.11 b/g/n
Banda(e) di frequenza [MHz]	2400 MHz - 2483,5 MHz
Potenza massima [mW]	100 mW

Informazioni sui prodotti per apparecchiature collegate in rete	
consumo di energia del prodotto in standby in rete se tutte le porte di rete cablate sono collegate e tutte le porte di rete wireless sono attivate:	2 W
Come attivare la porta di rete wireless:	Se la cappa è stata registrata con l'APP, accendere la cappa per attivare la porta di rete wireless.
Come disattivare la porta di rete wireless:	Se la cappa è stata registrata con l'APP, spegnere la cappa per disattivare la porta di rete wireless. Se la cappa non è stata registrata con l'APP, la porta di rete wireless sarà disattivata anche se la cappa è accesa.

SERVIZIO ASSISTENZA CLIENTI

Se non è possibile identificare la causa dell'anomalia di funzionamento, spegnere l'elettrodomestico e contattare il servizio di assistenza.

NUMERO DI SERIE DEL PRODOTTO. Dove lo trovo?

È importante che comunichiate al Servizio di Assistenza il codice del vostro prodotto e il suo numero di serie (un codice di 16 caratteri che inizia con il numero 3), che si trova sul certificato di garanzia o sulla targhetta dei dati situata sull'elettrodomestico.

Aiuterà ad evitare viaggi inutili dai tecnici, risparmiando così (e in modo più significativo) le spese di chiamata corrispondenti.



Questo elettrodomestico dispone di contrassegno ai sensi della direttiva europea 2012/19/UE sui rifiuti di apparecchiature elettriche ed elettroniche (RAEE).

I RAEE contengono sia sostanze inquinanti (che possono causare conseguenze negative per l'ambiente) e componenti principali (che possono essere riutilizzati). È importante che i RAEE siano sottoposti a trattamenti specifici in modo da togliere e smaltire in modo corretto gli inquinanti, nonché recuperare e riciclare tutti i materiali.

Spetta ai singoli individui garantire che i RAEE non diventino un problema a livello ambientale. Esistono alcune regole specifiche da rispettare:

i RAEE non devono essere trattati come rifiuti domestici;

i RAEE devono essere affidati agli speciali centri di raccolta gestiti dai comuni o da società autorizzate. In molti stati è disponibile anche un servizio di raccolta porta a porta per i RAEE.

In caso di acquisto di nuovi elettrodomestici, quelli vecchi possono essere affidati al venditore che li deve ritirare gratuitamente in numero corrispondente agli elettrodomestici acquistati, a condizione che i singoli elettrodomestici siano di tipo simile e con le stesse funzioni di quelli acquistati.

Notice d'installation et d'utilisation

SOMMAIRE

INTRODUCTION	40
CONSIGNES DE SÉCURITÉ	40
INSTALLATION ELECTRIQUE	42
INSTALLATION (MONTAGE MURAL)	44
INSTALLATION (ÉVACUATION INTERNE).....	50
DESCRIPTION DES COMPOSANTS	52
ENTRETIEN.....	55
DÉPANNAGE	56
SERVICE APRÈS-VENTE	57

INTRODUCTION

Merci d'avoir choisi cette hotte.

Ce mode d'emploi est conçu pour vous fournir toutes les consignes requises relatives à l'installation, l'utilisation et l'entretien de l'appareil. Afin d'utiliser l'appareil correctement et en toute sécurité, veuillez lire attentivement ce mode d'emploi avant l'installation et l'utilisation.

La hotte utilise des matériaux de haute qualité et est fabriquée avec un design épuré. Équipée d'un moteur électrique de grande puissance et d'un ventilateur centrifuge, elle offre également une forte puissance d'aspiration, un fonctionnement à faible bruit, un filtre à graisse anti-adhésif ainsi qu'une installation et un montage faciles.

Par la présente, Candy Hoover Group Srl déclare que les équipements radio sont conformes à la directive 2014/53/UE et aux exigences légales applicables (pour le marché UKCA). Le texte intégral de la déclaration de conformité est disponible à l'adresse internet suivante : www.candy-group.com

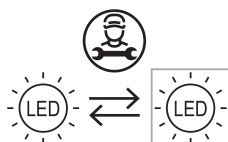
CONSIGNES DE SÉCURITÉ

- Ne laissez jamais les enfants faire fonctionner la machine.
- La hotte est à usage domestique uniquement, ne convient pas au barbecue, au rôtissoire et à d'autres usages commerciaux.
- La hotte et son filtre doivent être nettoyés régulièrement afin de rester en bon état de fonctionnement.
- Nettoyez la hotte conformément au mode d'emploi et gardez l'appareil à l'abri du risque de brûlure.
- Interdire la cuisson directe avec une cuisinière à gaz. Veuillez garder une bonne convection dans la cuisine.
- Avant de brancher cet appareil, vérifiez que le cordon d'alimentation n'est pas endommagé. Un câble d'alimentation endommagé doit être remplacé uniquement par du personnel d'entretien qualifié.
- Il doit y avoir une ventilation adéquate de la pièce lorsque la hotte est utilisée en même temps que des appareils à gaz ou employant d'autres combustibles :
- L'air ne doit pas être évacué par un conduit utilisé pour l'évacuation des fumées d'autres appareils à gaz ou alimentés par d'autres carburants ;
- Les réglementations en matière d'évacuation de l'air doivent être respectées.

- Surveillez les enfants afin qu'ils ne jouent pas avec l'appareil.
- Ne pas faire flamber les aliments sous la hotte.
- La hotte de cuisine n'est pas destinée à être installée sur une table de cuisson ayant plus de quatre plaques de cuisson
- Il doit y avoir une ventilation adéquate de la salle lors de l'utilisation de la hotte simultanément aux appareils à gaz ou employant d'autres combustibles (non applicable aux appareils qui se contentent de décharger l'air de nouveau dans la pièce) ;
 - il doit y avoir une ventilation adéquate de la salle lors de l'utilisation de la hotte simultanément aux appareils à gaz ou employant d'autres combustibles (non applicable aux appareils qui se contentent de décharger l'air de nouveau dans la pièce) ;
- les détails concernant la méthode et la fréquence de nettoyage.
- il subsiste un risque d'incendie si le nettoyage n'est pas réalisé conformément aux instructions ;
- ne pas faire de flammes sous la hotte ;
- ATTENTION : les pièces accessibles peuvent être chaudes lorsqu'elles sont utilisées avec des appareils de cuisson.

Risque de choc électrique

- Branchez uniquement cet appareil dans une prise correctement mise à la terre. En cas de doute, demandez conseil à un ingénieur dûment qualifié.
- Le non respect de ces instructions peut entraîner la mort ou provoquer des risques d'incendie ou de décharge électrique.



La lampe utilisée dans ce produit ne convient pas pour l'éclairage d'une pièce.

Le but de cette lampe est de fournir un éclairage pour l'utilisation du produit.

Installation électrique

Toute installation doit être effectuée par une personne compétente ou un électricien qualifié. Avant de brancher l'alimentation électrique, assurez-vous que la tension d'alimentation correspond à la tension sur la plaque signalétique.

Branchement direct

L'appareil doit être branché directement au secteur à l'aide d'un disjoncteur omnipolaire avec une ouverture minimale de 3 mm entre les contacts.

L'installateur doit s'assurer que le branchement électrique a été effectué correctement et qu'il est conforme au schéma de câblage.

Le câble ne doit pas être plié ou comprimé.


Vérifiez régulièrement que la prise électrique et le cordon d'alimentation ne sont pas endommagés. Si le cordon d'alimentation est endommagé, il doit être remplacé par un cordon ou un montage spécial disponible auprès du fabricant ou de son agent de maintenance.

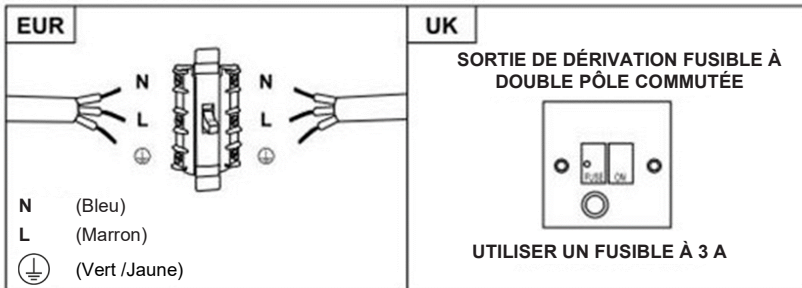
AVERTISSEMENT : Il s'agit d'un appareil de classe I et DOIT être mis à la terre

Cet appareil est fourni avec un câble d'alimentation à 3 conducteurs colorés comme suit :

Marron = L ou Live (phase)

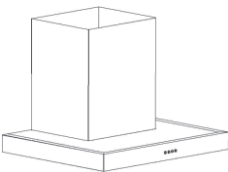

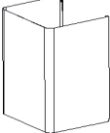

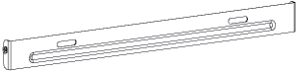






Bleu = N ou Neutre

Vert et Jaune = E ou Earth (terre) 



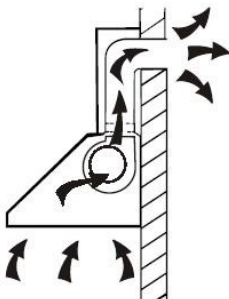
Le fusible doit être calibré à 3 ampères.

Liste d'accessoires d'installation standard

Spéc.	Image d'illustration	Qté
Logement		1
Haut de conduit		1
Partie inférieure de conduit		1
Support de conduit inférieur		1
Support de conduit supérieur		1
Plaque suspendue		1
Ø8 bouchons rawl Ø8×Ø6 couleur blanche		9
Vis ST4,0×30		9
Ø7,2vis ST4.0×8		2
Sortie d'air		1
Filtre à charbon		2

INSTALLATION (montage mural)

Si vous avez une sortie vers l'extérieur, votre hotte peut être raccordée comme sur l'image ci-dessous par un conduit d'évacuation (émail, aluminium, gaine souple non inflammable avec un diamètre intérieur de 150 mm)



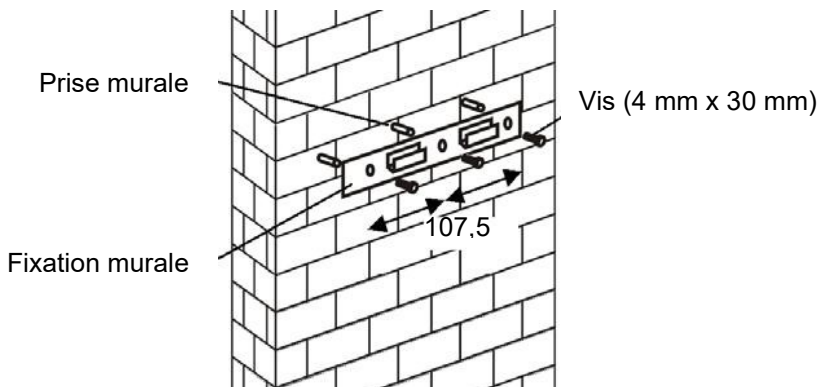
1. Avant l'installation, éteignez l'appareil et débranchez-le de la prise de courant.



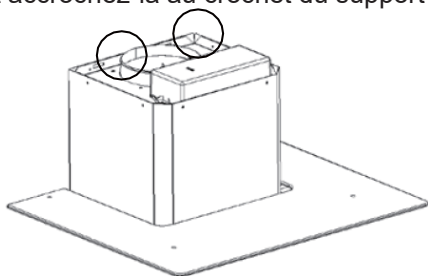
2. Pour une meilleure prestation, la hotte doit être placée à une distance de 65 à 75cm au-dessus de la plaque de cuisson.



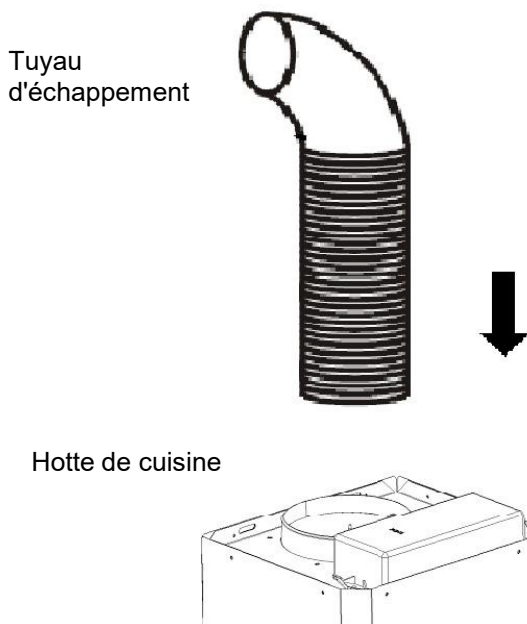
3. Percez des trous de 3 x 8 mm pour recevoir le support. Vissez et serrez le support sur le mur avec les vis fournies.



4. Laissez la hotte et accrochez-la au crochet du support mural.



5. Fixez la valve anti-retour sur la prise de sortie de l'air de la hotte. Ensuite, fixez le tuyau d'échappement sur la soupape unidirectionnelle comme indiqué ci-dessous.

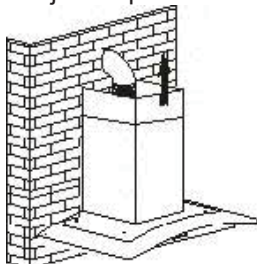


6.

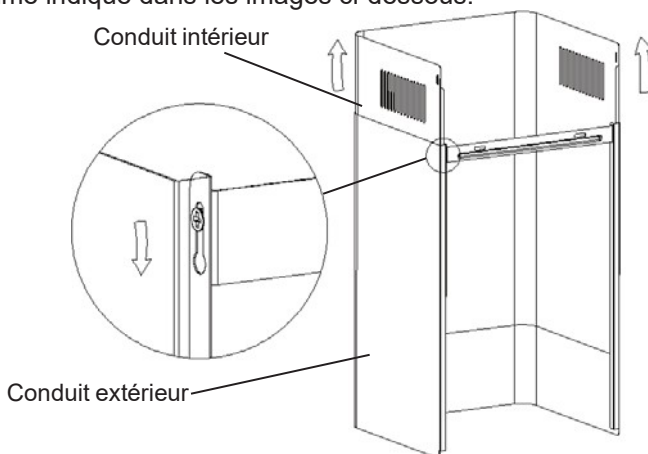
- i. Placez le verre dans la position appropriée sur le dessus de la hotte.
- ii. Fixez avec 4 vis et une rondelle. Afin d'éviter la fissuration du verre, veuillez ne pas serrer les vis trop fort.

7.

- i. En plaçant le conduit intérieur dans celui extérieur, puis en tirant celui intérieur vers le haut. Ajustez pour atteindre la hauteur requise.

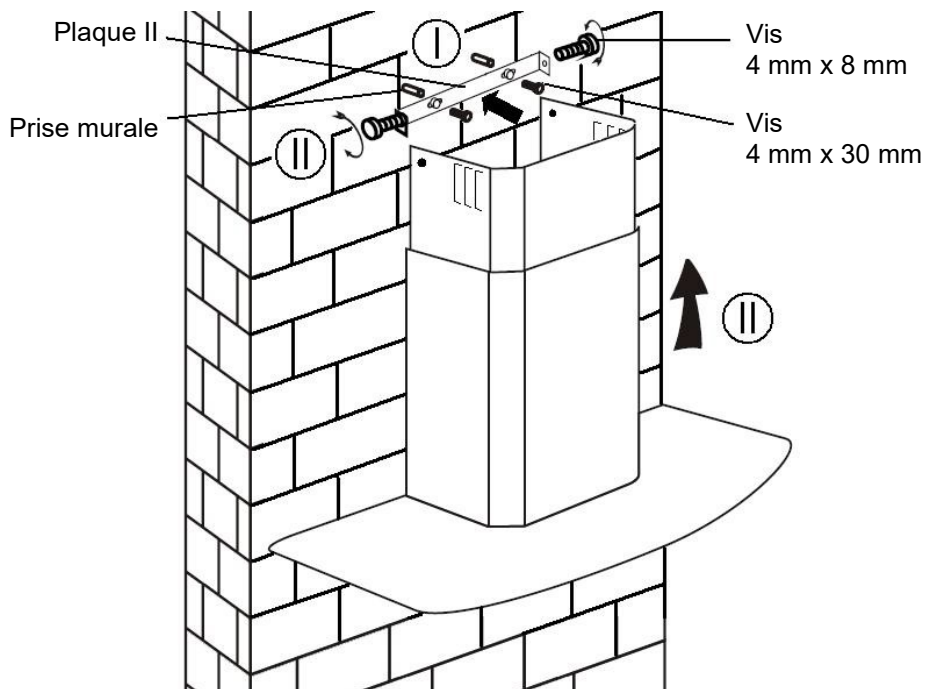


- ii. Faites glisser le conduit pour régler sa hauteur. Lorsque la hauteur requise est atteinte, accrochez le trou de fixation aux vis de fixation comme indiqué dans les images ci-dessous.

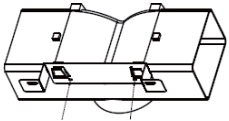
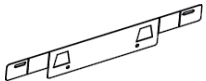





8.

- i. Percez des trous de 2 x 8 mm pour recevoir la plaque II. Vissez et serrez la plaque II sur le mur avec 2 vis fournies.
- ii. Assemblez le conduit sur l'appareil et fixez-la à l'aide de 2 vis.



Liste d'accessoires d'installation standard

Spéc.	Image d'illustration	Qté
Collecteur-défecteur		1
Support		1
Ø8 bouchons rawl Ø8 × Ø6 couleur blanche		2
Vis ST4,0×30		2
Vis ST 3,5×12		2

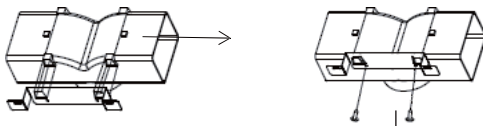
INSTALLATION (DÉFLECTEUR D'AIR) :

Le déflecteur d'air est mentionné comme inclus et non optionnel.

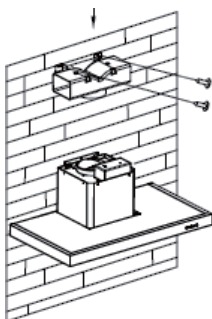
1. Avant l'installation, courbez les deux extrémités du support comme indiqué ci-dessous :



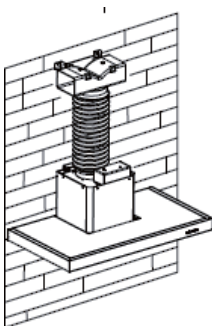
2. Fixez le support à la sortie en plastique en forme de T avec 2 vis ST 3,5x12 mm fournies.



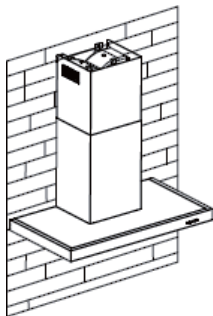
3. Percez 2 trous pour recevoir les fiches murales, puis vissez et serrez le support sur le mur avec 2 vis ST 4x30mm fournies.



4. Fixez le tuyau d'échappement sur la sortie d'air de la hotte comme indiqué ci-dessous :



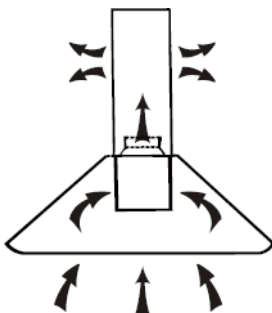
5. Installez le conduit sur l'appareil et fixez-le.



- Veuillez remarquer : Les prises en plastique en forme de T et les volets en V ne peuvent pas être utilisés en même temps. Vous pouvez les utiliser de deux façons : 1) Ajoutez un volet en V sur la prise existante ; 2) Utilisez une sortie en plastique en forme de T, sans ajouter de volet en V."
- Remarque : Le produit est équipé d'un volet en V. Cet accessoire n'est pas obligatoire pour l'installation, le fonctionnement et l'utilisation du produit."

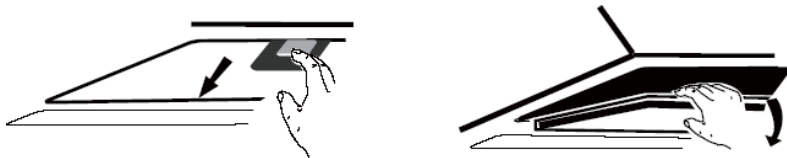
INSTALLATION (ÉVACUATION INTERNE)

Si vous n'avez pas de sortie vers l'extérieur, le tuyau d'échappement n'est pas nécessaire et l'installation est similaire à celle indiquée dans la section "INSTALLATION (ÉVACUATION EXTERNE)".

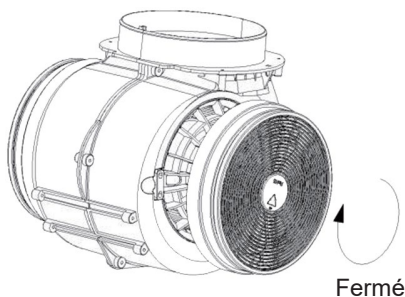


Les filtres à charbon actif sont utilisés pour absorber les odeurs.

Pour installer le filtre à charbon actif, le filtre à graisse doit d'abord être détaché. Appuyez sur le système d'ouverture et tirez-le filtre vers le bas.



Branchez le filtre à charbon actif dans l'unité et tournez-le dans le sens des aiguilles d'une montre. Faites pareil de l'autre côté.



REMARQUE :

- o Assurez-vous que le filtre soit correctement bloqué. Dans le cas contraire, il pourrait tomber et endommager le bloc.
- o Quand le filtre à charbon actif est installé, la force d'aspiration est plus faible.

DESCRIPTION DES COMPOSANTS

CONFIGURATION 1

1 2 3 B B⁺  

FONCTIONNEMENT

1 Bouton vitesse minimale
Il est utilisé pour la ventilation dans la cuisine. Il convient pour mijoter et réaliser une cuisson qui ne fait pas beaucoup de vapeur.

2 Bouton vitesse intermédiaire
La vitesse d'écoulement de l'air est idéale pour la ventilation dans un fonctionnement de cuisson standard.


3 Bouton vitesse maximale
Lorsqu'une forte densité de fumée ou de vapeur est produite, appuyez sur le bouton grande vitesse pour une ventilation efficace élevée.

B Boost 1 (vitesse 4)
Appuyez sur la touche vitesse b 1, le rétro-éclairage de la touche vitesse B est activé et la hotte fonctionne en mode boost ;

B⁺ Boost 2 (vitesse 5)
Appuyez sur la touche vitesse b 2, le rétro-éclairage de la touche vitesse B+ est activé et la hotte fonctionne en mode boost ;

 **Faible**
Enfoncez brièvement pour allumer et éteindre l'éclairage

Minuterie rapide : Appuyez longuement sur le bouton lumineux et maintenez-la enfoncée pendant 3 secondes, les boutons de vitesse du ventilateur clignotent et comptent à rebours pendant 5 minutes, au bout de 5 minutes, le moteur et le voyant s'éteignent automatiquement avec trois sons de l'avertisseur sonore.

 **Connexion Wi-Fi**
Appuyez longuement sur l'icône Wi-Fi et passez en mode connexion : le rétro-éclairage de l'icône Wi-Fi continue de clignoter pour indiquer que la connexion est en cours, le rétro-éclairage de l'icône Wi-Fi est allumé pour indiquer qu'elle est connectée, même chose pour le mode veille; appuyez longuement sur l'icône Wi-Fi à nouveau et la connexion sera arrêtée ;

CONFIGURATION 2

1

2

3

B



MODE VEILLE

Après branchement, tout l'éclairage, système est en **MODE VEILLE**.

1

Bouton vitesse minimale

Il est utilisé pour la ventilation dans la cuisine. Il convient pour mijoter et réaliser une cuisson qui ne fait pas beaucoup de vapeur.

2

Bouton vitesse intermédiaire

La vitesse d'écoulement de l'air est idéale pour la ventilation dans un fonctionnement de cuisson standard.

3

Bouton vitesse maximale

Lorsqu'une forte densité de fumée ou de vapeur est produite, appuyez sur le bouton grande vitesse pour une ventilation efficace élevée.

B

Fonction Booster

Cette hotte a une fonction booster. Pour activer le booster, appuyez sur **B** jusqu'à la vitesse 4, réglez sur la vitesse la plus élevée lorsque la hotte est en cours d'utilisation et il augmentera la vitesse pendant 5 minutes, avant de ralentir à nouveau.



Faible

Enfoncez brièvement pour allumer et éteindre l'éclairage

Minuterie rapide : Appuyez longuement sur le bouton lumineux et maintenez-la enfoncée pendant 3 secondes, les boutons de vitesse du ventilateur clignotent et comptent à rebours pendant 5 minutes, au bout de 5 minutes, le moteur et le voyant s'éteignent automatiquement avec trois sons de l'avertisseur sonore.



Connexion Wi-Fi

Appuyez longuement sur l'icône Wi-Fi et passez en mode connexion : le rétro-éclairage de l'icône Wi-Fi continue de clignoter pour indiquer que la connexion est en cours, le rétro-éclairage de l'icône Wi-Fi est allumé pour indiquer qu'elle est connectée, même chose pour le mode veille; appuyez longuement sur l'icône Wi-Fi à nouveau et la connexion sera arrêtée ;

Télécharger l'application hOn

Tout d'abord, vous devez télécharger l'Appli hOn et l'installer sur votre appareil portable. Ensuite, enregistrez votre hotte.



REMARQUE

Get ready to add your appliance

- 1 Stay close to your appliance
- 2 While in front of your appliance, ensure that your smartphone is connected to a 2.4GHz Wi-Fi network with a stronger signal
[CHANGE WI-FI SETTINGS](#)
- 3 Public networks are not allowed due to low security and reliability.
- 4 Prepare to enter your Home Wi-Fi password.

ENREGISTREMENT HOTTE HAIER



L'image de la hotte a pour seul but de la présenter. Il se peut qu'il ne soit pas parfaitement représentatif.

1- Appuyez sur le bouton Wi-Fi jusqu'à ce que l'icône clignote. Lorsque l'appariement est terminé, l'icône Wi-Fi est activée.

ENTRETIEN

Avant le nettoyage, éteignez l'appareil et débranchez-le.

I. Nettoyage Régulier

Utilisez un chiffon doux humidifié avec de l'eau moyennement savonneuse ou un détergent ménager. N'utilisez jamais de tampon métallique, de produit chimique, de matériau abrasif ou de brosse rigide pour nettoyer l'appareil.

II. Nettoyage mensuel du filtre à graisse

Fondamental : Nettoyez le filtre tous les mois pour éviter tout risque d'incendie.

Le filtre recueille la graisse, la fumée et la poussière... de sorte que le filtre affecte directement

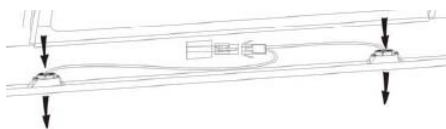
l'efficacité de la hotte. S'il n'est pas nettoyé, le résidu de graisse (potentiellement inflammable) saturera le filtre. Nettoyez-le avec un détergent ménager.

III. Nettoyage annuel du filtre à charbon actif

S'applique **UNIQUEMENT** à l'unité installée en tant qu'unité de recirculation (non ventilée vers l'extérieur). Ce filtre piège les odeurs et doit être remplacé au moins une fois par an en fonction de la fréquence d'utilisation de la hotte.

IV. Changement d'ampoule

Retirez les vis sur la vitre, retirez la vitre de la hotte. Identifiez l'ampoule qui doit être remplacée, vous la trouverez dans le luminaire qui se trouve à l'intérieur de la section exposée de l'auvent.



Débranchez le point de câblage de la lampe et retirez les porte-ampoules et le câblage de la hotte. Important : Il n'est pas possible de remplacer chacune des ampoules, il sera nécessaire d'obtenir les ampoules, les supports d'ampoules et le câblage en tant que pièce complète. (lumière LED : MAX. 1,5 W)

Installez les ampoules de rechange, les porte-ampoules et le câblage de la même manière que les ampoules d'origine. Raccordez ensuite de nouveau le point de câblage de la lumière.

Remettez la vitre de la hotte et fixez les vis en verre. Assurez-vous que les vis sont complètement serrées.

DÉPANNAGE

Problème	Cause	Solution
Lumière allumée, mais le ventilateur ne fonctionne pas.	La pale du ventilateur est coincée.	Éteignez l'appareil et faites-le réparer uniquement par du personnel d'entretien qualifié.
	Le moteur est endommagé.	
La lumière et le ventilateur ne fonctionnent pas	Unene ampoule halogène a grillé.	Remplacez l'ampoule par un calibre correct.
	Le cordon d'alimentation est desserré.	Branchez à nouveau l'alimentation.
Vibration grave de l'appareil	La pale du ventilateur est endommagée.	Commutation de l'unité et réparation par du personnel d'entretien qualifié uniquement.
	Le moteur du ventilateur n'est pas fixé fermement.	Éteignez l'appareil et faites-le réparer uniquement par du personnel d'entretien qualifié.
	L'appareil n'est pas correctement accroché au support.	Faites descendre l'appareil et vérifiez si le support est correctement positionné.
Les performances d'aspiration ne sont pas bonnes	Distance trop grande entre l'appareil et le plan de cuisson	Réajustez la distance à 65-75 cm

Technologie	Wi-Fi
Standard	802.11 b/g/n
Bande(s) de fréquence [MHz]	2400 MHz-2483,5 MHz
Puissance maximale [mW]	100 mW

Informations sur le produit pour les équipements en réseau	
consommation d'énergie du produit en veille en réseau si tous les ports réseau câblés sont raccordés et ceux sans fil sont activés :	2 W
Comment activer le port de réseau sans fil :	Si la hotte a été enregistrée avec l'APPLICATION, activez cette hotte pour activer le port réseau sans fil.
Comment désactiver le port de réseau sans fil :	Si la hotte a été enregistrée avec l'APPLICATION, désactivez la hotte pour désactiver le port réseau sans fil. Si la hotte n'a pas été enregistrée avec l'APPLICATION, le port réseau sans fil sera désactivé même si la hotte est activée.

SERVICE APRÈS-VENTE

Si vous ne pouvez pas identifier la cause de l'anomalie de fonctionnement, éteignez l'appareil et contactez le service d'assistance.

NUMÉRO DE SÉRIE DU PRODUIT. Où puis-je le trouver ?

Il est important de communiquer le code de référence de votre appareil et son numéro de série (un code à 16 chiffres qui commence par 3). Il est inscrit sur le certificat de garantie et sur la plaque d'identification de l'appareil.

Cela permettra d'éviter les trajets inutiles vers les techniciens, ce qui permettra (et surtout) d'économiser les frais d'appel correspondants.



Cet appareil comporte les symboles conformes à la directive européenne 2012/19/EU sur les déchets des équipements électriques et électroniques (DEEE).

Les DEEE contiennent à la fois des substances polluantes (qui peuvent avoir des conséquences négatives sur l'environnement) et les composants de base (qui peuvent être réutilisés). Il est important de soumettre les déchets DEEE à des traitements spécifiques, afin d'enlever et éliminer tous les polluants de manière adéquate et de récupérer et recycler tous les matériaux. Toute personne peut jouer un rôle important en veillant à ce que les déchets DEEE ne deviennent pas un problème environnemental ; pour cela, il est essentiel de suivre quelques règles de base :

Les DEEE ne doivent pas être traités comme des déchets ménagers ;

Les DEEE doivent être remis aux points de collecte appropriés gérés par la municipalité ou par des sociétés reconnues. Dans de nombreux pays, pour des DEEE encombrants, la collecte à domicile peut être organisée.

Dans de nombreux pays, lorsque vous achetez un nouvel appareil, l'ancien peut être retourné au détaillant qui est en devoir de le récupérer sans frais de manière individualisée, tant que l'équipement est de type équivalent et a les mêmes fonctions que l'équipement fourni.

MANUAL DE USO E INSTALACIÓN

CONTENIDO

INTRODUCCIÓN	59
PRECAUCIONES DE SEGURIDAD.....	59
INSTALACIÓN ELÉCTRICA.....	61
INSTALACIÓN (MONTAJE EN LA PARED)	63
INSTALACIÓN (SALIDA INTERIOR)	69
DESCRIPCIÓN DE LOS COMPONENTES	71
MANTENIMIENTO.....	74
RESOLUCIÓN DE PROBLEMAS.....	75
SERVICIO DE ASISTENCIA AL CLIENTE.....	76

INTRODUCCIÓN

Gracias por elegir esta campana extractora.

Este manual de instrucciones está diseñado para proporcionarle todas las instrucciones necesarias relacionadas con la instalación, el uso y el mantenimiento del electrodoméstico. Para que el electrodoméstico funcione correctamente y con seguridad, por favor lea este manual de instrucciones cuidadosamente antes de la instalación y el uso.

La campana extractora utiliza materiales de alta calidad, y está hecha con un diseño aerodinámico. Equipada con un motor eléctrico de gran potencia y un ventilador centrífugo, también proporciona una fuerte potencia de aspiración, un funcionamiento de bajo ruido, un filtro de grasa antiadherente y una instalación de fácil montaje.

Por la presente, Candy Hoover Group Srl declara que los equipos radioeléctricos cumplen con la Directiva 2014/53/UE y con los requisitos legales pertinentes (para el mercado UKCA). Se encuentra disponible el texto completo de la declaración de conformidad en la siguiente dirección de Internet: www.candy-group.com

PRECAUCIONES DE SEGURIDAD

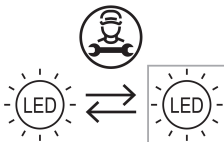
- No deje que los niños utilicen el electrodoméstico.
- La campana extractora es para uso doméstico exclusivamente y no puede utilizarse en barbacoas, asadores u otros establecimientos comerciales.
- La campana extractora y el filtro deben limpiarse de forma periódica para mantener el producto en buenas condiciones de uso.
- Limpie la campana extractora de acuerdo con el manual de instrucciones y mantenga el electrodoméstico fuera de peligro de quemaduras.
- La campana no debe utilizarse en un hornillo de gas. Durante su uso, asegúrese de que exista ventilación suficiente en la cocina.
- Antes de conectar este electrodoméstico, compruebe que el cable de alimentación no esté dañado. Un cable de suministro dañado debe ser reemplazado únicamente por personal de asistencia cualificado.
- Debe haber una ventilación adecuada de la habitación cuando se utilice la campana extractora al mismo tiempo que los aparatos de gas u otros;
- No conecte el aparato a una salida de aire en la que se hayan

conectado otros dispositivos que quemen gas u otros combustibles;

- Deben cumplirse las normas relativas a la salida de humos.
- Es necesario vigilar a los niños para asegurarse de que no jueguen con el electrodoméstico.
- No flamee debajo de la campana extractora.
- La campana extractora no está pensada para instalarse sobre una placa con más de cuatro zonas de cocción
- Deberá asegurarse una buena ventilación de la cocina cuando se utilice la campana de extractora al mismo tiempo que los aparatos que quemen gas u otros combustibles (no aplicable a los aparatos que solo descargan el aire de vuelta a la cocina);
- los detalles relativos al método y la frecuencia de la limpieza.
- Hay riesgo de incendio si la limpieza no se realiza de acuerdo con las instrucciones.
- no flamee debajo de la campana extractora;
- **PRECAUCIÓN:** las piezas accesibles pueden calentarse cuando se usan con aparatos de cocina.

Riesgo de descarga eléctrica

- Conecte este electrodoméstico únicamente a una toma de corriente con conexión a tierra. En caso de duda, busque el consejo de un técnico debidamente cualificado.
- El incumplimiento de estas instrucciones puede provocar la muerte, un incendio o una descarga eléctrica.



La lámpara utilizada en este producto no es adecuada para su uso en la iluminación de una

habitación. El propósito de esta lámpara es proporcionar iluminación para usar el producto.

Instalación eléctrica

Toda la instalación debe ser realizada por un electricista cualificado u otro profesional competente. Antes de conectar la alimentación de la red, asegúrese de que la tensión de la red corresponda a la tensión que figura en la placa de datos.

Conexión directa

El electrodoméstico se conecta directamente a la corriente, utilizando un disyuntor omnipolar con una distancia mínima de 3 mm entre los contactos. El instalador debe asegurarse de que la conexión a la red eléctrica se haya realizado correctamente y cumpliendo el esquema eléctrico.

El cable no debe doblarse ni aplastarse.


Revise regularmente el enchufe y el cable de alimentación para ver si están dañados. Si el cable de suministro está dañado, debe ser reemplazado por un cable o conjunto especial disponible en el fabricante o su agente del servicio de asistencia.

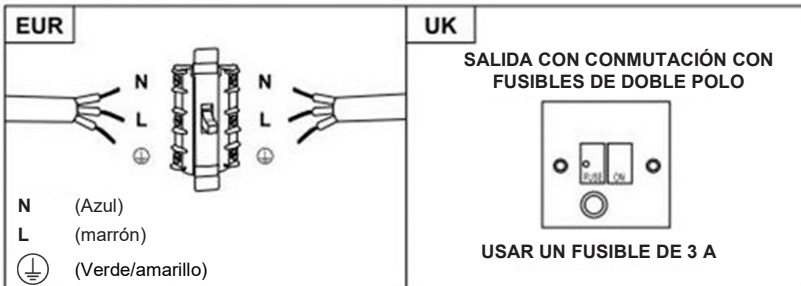
ADVERTENCIA: Este es un aparato de Clase I y DEBE ser conectado a tierra

Este aparato se suministra con un cable de red de 3 hilos del siguiente color:

Marrón = L (Live) o CORRIENTE

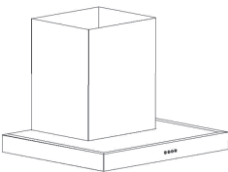

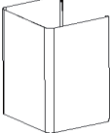

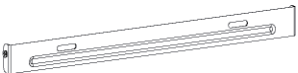
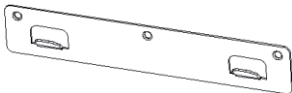





Azul = N (Neutral) o NEUTRAL

Verde y amarillo = E (Earth) o TIERRA 



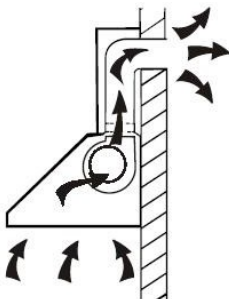
El fusible debe tener una capacidad de 3 A

Lista de accesorios de instalación estándar

Espec.	Fig. Ilustración	Cant.
Carcasa		1
Chimenea superior		1
Chimenea inferior		1
Soporte de la chimenea inferior		1
Soporte de la chimenea superior		1
Placa de soporte		1
taquetes Ø8 - Ø8xØ6 color blanco		9
Tornillos ST4,0x30		9
Tornillos Ø7,2 ST4,0x8		2
Salida de aire		1
Filtro de carbono		2

INSTALACIÓN (montaje en la pared)

Si tiene una salida al exterior, la campana se puede conectar como se muestra a continuación mediante un conducto de extracción (esmalte, aluminio, tubo flexible no inflamable con un diámetro interior de 150 mm)



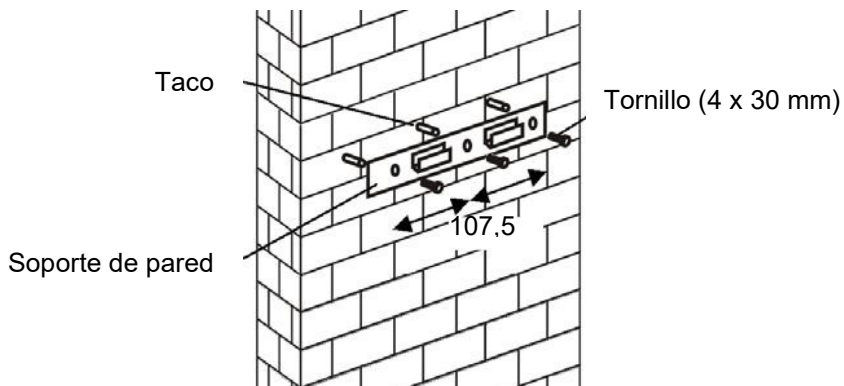
1. Antes de la instalación, apague el electrodoméstico y desenchúfelo de la toma de corriente.



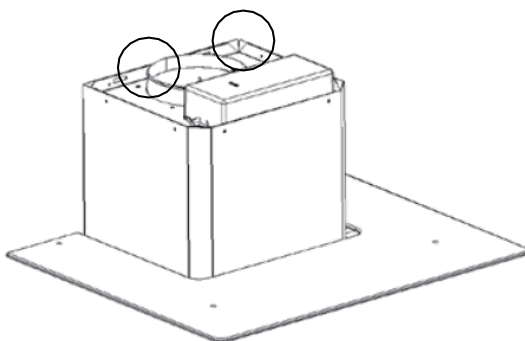
2. La campana extractora debe colocarse a una distancia de 65~ 75 cm de la superficie de cocción para obtener resultados óptimos.



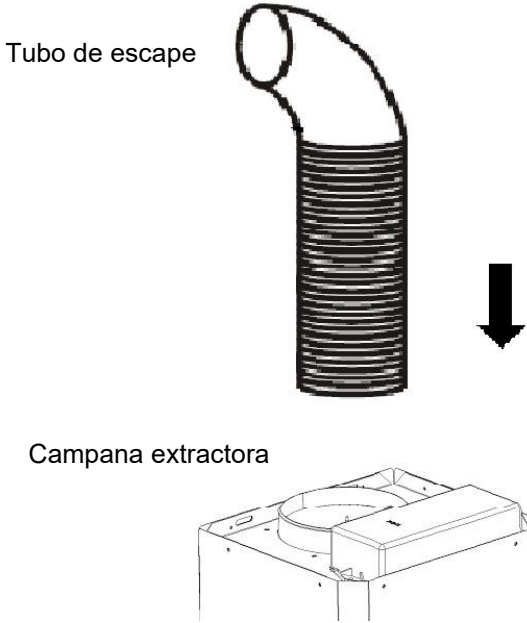
3. Perfore 3 agujeros de 8 mm para acomodar el soporte. Atornille y apriete el soporte en la pared con los tornillos suministrados.



4. Deje la campana extractora y cuélguela del enganche del soporte de la pared.

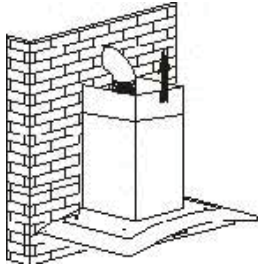


5. Fije la válvula unidireccional a la salida de aire de la campana extractora. Entonces, conecte el tubo de escape a la válvula unidireccional como se muestra a continuación.

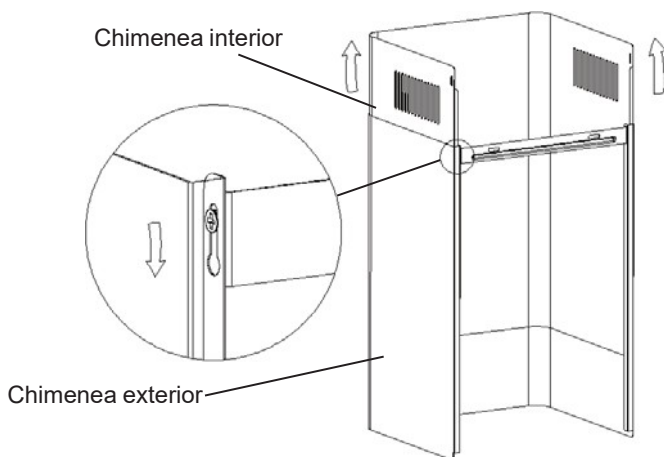


- 6.
 - i. Ponga el vidrio en la posición apropiada en la parte superior de la campana extractora.
 - ii. Fije con 4 tornillos y arandela. Para evitar que el vidrio se agriete, no apriete los tornillos con demasiada fuerza.

- 7.
 - i. Ponga la chimenea interior en la chimenea exterior; luego tire de la chimenea interior hacia arriba. Ajústela para alcanzar la altura necesaria.

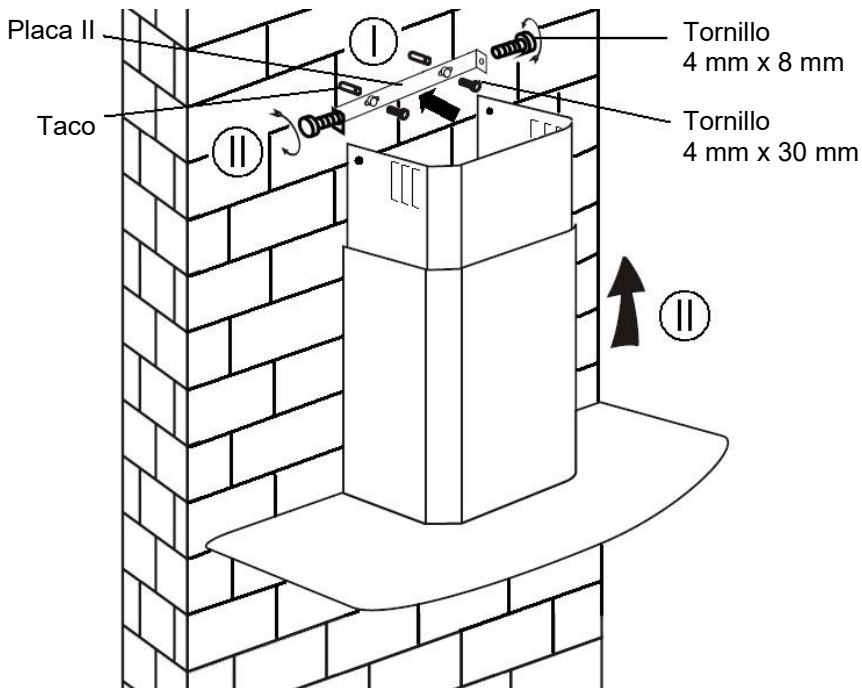


- ii. Deslice la chimenea para ajustar la altura de la chimenea. Cuando se alcance la altura requerida, entonces cuelgue el agujero de fijación a los tornillos de fijación como se muestra en las fig. de abajo.

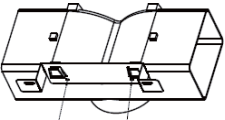
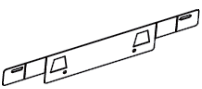





8.

- i. Perfore 2 agujeros de 8 mm para acomodar la placa II. Atornille y apriete la placa II en la pared con los 2 tornillos suministrados.
ii. Monte la chimenea en la unidad y fijela con 2 tornillos.



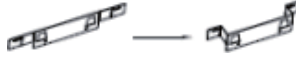
Lista de accesorios de instalación estándar

Espec.	Fig. Ilustración	Cant.
Deflector de aire		1
Soporte		1
Ø8 taquetes Ø8× Ø6 color blanco		2
Tornillos ST4,0×30		2
Tornillos ST3,5×12		2

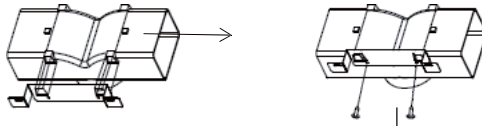
INSTALACIÓN (DEFLECTOR DE AIRE):

El deflector de aire se menciona como incluido y no opcional.

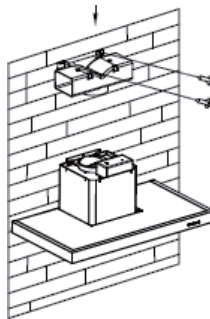
1. Antes de la instalación, curve ambos extremos del soporte como se muestra a continuación:



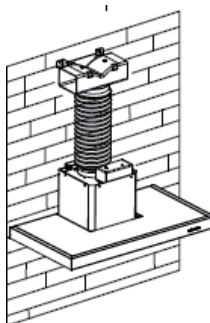
2. Fije el soporte a la salida de plástico en forma de T con los 2 tornillos ST3,5x12 mm proporcionados.



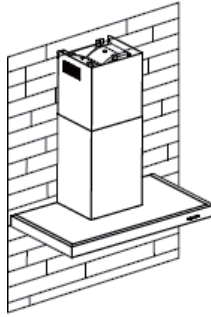
3. Practique 2 orificios para colocar los tacos, luego atornille y apriete el soporte en la pared con los 2 tornillos ST4x30 mm proporcionados.



4. Conecte el tubo de escape a la salida de aire de la campana de la cocina como se muestra a continuación:



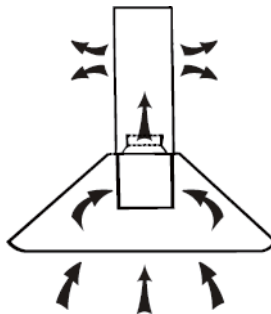
5. Instale la chimenea en la unidad y fíjela.



- Tenga en cuenta lo siguiente: La salida de plástico en forma de T y las lengüetas en V no se pueden utilizar al mismo tiempo. Puede utilizarlos de dos maneras: 1) Añada la lengüeta en V a la salida existente; 2) Utilice la salida de plástico en forma de T, sin añadir la lengüeta en V.
- Nota: El producto dispone de una lengüeta en V como opcional. Este accesorio no es obligatorio para la instalación, funcionamiento y uso del producto.

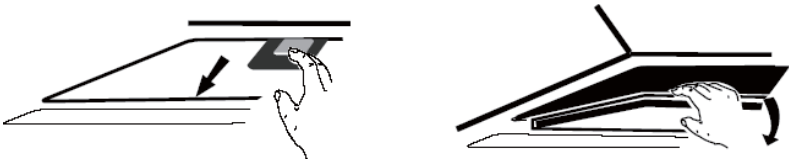
INSTALACIÓN (SALIDA INTERIOR)

Si no tiene una salida al exterior, no se requiere un tubo de escape y la instalación es similar a la que se muestra en la sección "INSTALACIÓN (SALIDA EXTERIOR)".

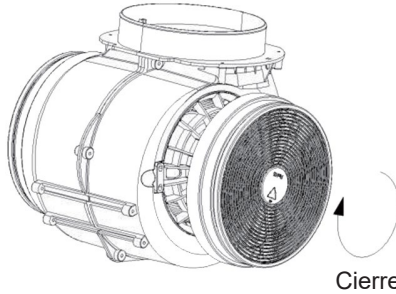


El filtro de carbón activo puede utilizarse para atrapar olores.

Para instalar el filtro de carbón activo, primero hay que quitar el filtro para grasa. Presione el cierre y tire de él hacia abajo.



Enchufe el filtro de carbón activo en el electrodoméstico y gírelo en el sentido de las agujas del reloj. Repita lo mismo en el otro lado.



NOTA:


- o *Asegúrese de que el filtro esté bien cerrado. De lo contrario, se aflojaría y supondría un peligro.*
- o *Cuando el filtro de carbón activado se monta, la potencia de aspiración se reduce.*


DESCRIPCIÓN DE LOS COMPONENTES

CONFIGURACIÓN 1

1 2 3 B B⁺  

FUNCIONAMIENTO

- 1 Botón de baja velocidad**
Se usa para la ventilación de la cocina. Es adecuado para cocinar a fuego lento y para elaboraciones que no producen mucho vapor.
- 2 Botón de velocidad media**
La velocidad del flujo de aire es ideal para la ventilación de una cocina estándar.
- 3 Botón de alta velocidad**
Cuando se produzca una alta densidad de humo o vapor, pulse el botón de alta velocidad para una ventilación eficaz.
- B Boost 1(velocidad 4)**
Pulse el botón de velocidad b 1, la retroiluminación del botón de velocidad B está encendida y la campana de la cocina está funcionando en modo boost (alta potencia);
- B⁺ Boost 2(velocidad 5)**
Pulse el botón de velocidad b 2, la retroiluminación del botón de velocidad B+ está encendida y la campana de la cocina está funcionando en modo boost;
-  **Luz**
Pulse brevemente para encender y apagar la iluminación

Temporizador rápido: Mantenga pulsado el botón de luz durante 3 segundos, los botones de velocidad del ventilador parpadearán y entrarán en una cuenta atrás de 5 minutos, después de la cual el motor y la luz se apagarán automáticamente con tres sonidos de zumbador.
-  **Conexión wifi**
Pulse prolongadamente el icono wifi y entre en modo de conexión: si el icono wifi sigue parpadeando significa que la conexión está en curso, si está encendido significa que está conectada o en modo standby; pulse prolongadamente el icono wifi de nuevo y la conexión se detendrá;

CONFIGURACIÓN 2

1

2

3

B



Modo standby

Después de enchufar el aparato, la iluminación se pone en **MODO STANDBY**.

1

Botón de baja velocidad

Se usa para la ventilación de la cocina. Es adecuado para cocinar a fuego lento y para elaboraciones que no producen mucho vapor.

2

Botón de velocidad media

La velocidad del flujo de aire es ideal para la ventilación de una cocina estándar.

3

Botón de alta velocidad

Cuando se produzca una alta densidad de humo o vapor, pulse el botón de alta velocidad para una ventilación eficaz.

B

Función Booster (potencia extra)

Esta campana tiene una función de potencia extra. Para activar el booster, pulse **B** a la velocidad 4, entre en la velocidad más alta mientras la campana está en uso y aumentará la velocidad durante 5 minutos, antes de reducir la velocidad de nuevo.



Luz

Pulse brevemente para encender y apagar la iluminación

Temporizador rápido: Mantenga pulsado el botón de luz durante 3 segundos, los botones de velocidad del ventilador parpadearán y entrarán en una cuenta atrás de 5 minutos, después de la cual el motor y la luz se apagarán automáticamente con tres sonidos de zumbador.



Conexión wifi

Pulse prolongadamente el icono wifi y entre en modo de conexión: si el icono wifi sigue parpadeando significa que la conexión está en curso, si está encendido significa que está conectada o en modo standby; pulse prolongadamente el icono wifi de nuevo y la conexión se detendrá;

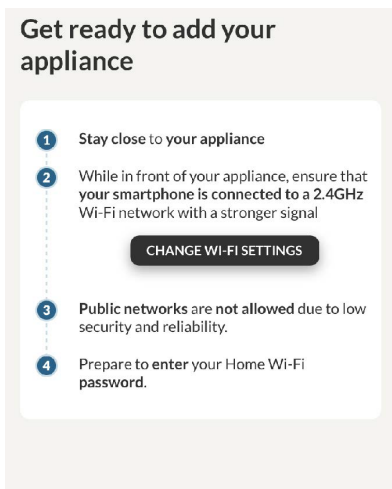


Descarga de la aplicación hOn

En primer lugar, debería descargar la app hOn e instalarla en su dispositivo portátil. Entonces podrá registrar su campana.



NOTA



REGISTRO DE UNA CAMPANA HAIER



La imagen de la campana es meramente indicativa. Podría no corresponder a la realidad.

1- Pulse el botón wifi hasta que el icono comience a parpadear; cuando se haya finalizado el emparejamiento, el icono wifi se mostrará encendido.

MANTENIMIENTO

Antes de la limpieza, apague el electrodoméstico y desenchúfelo.

I. Limpieza regular

Utilice un paño suave humedecido con agua jabonosa tibia o detergente de uso doméstico. No utilice estropajos metálicos, productos químicos, material abrasivo o un cepillo rígido para limpiar el electrodoméstico.

II. Limpieza mensual del filtro para grasa

FUNDAMENTAL: Limpiar el filtro cada mes puede evitar riesgos de incendio.

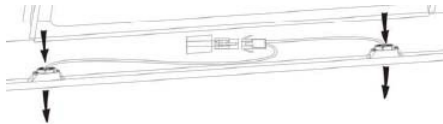
En el filtro se acumula grasa, humo, polvo, etc. por lo que la eficacia de la campana depende en gran parte del estado del filtro. Si no se limpia, los restos de grasa (potencialmente inflamables) se saturarán en el filtro. Límpielo con detergente de uso doméstico.

III. Limpieza anual del filtro de carbón activo

SOLAMENTE se aplica a unidades instaladas como unidad de recirculación (sin ventilación al exterior). Este filtro atrapa olores y debe ser reemplazado al menos una vez al año dependiendo de la frecuencia con la que se utilice la campana de la cocina.

IV. Cambio de la bombilla

Retire los tornillos del cristal, y el cristal de la campana. Encuentre la bombilla que desea sustituir, se encuentra en la lámpara que está dentro de la sección expuesta de la cubierta.



Desconecte el punto de cableado de la luz y retire los portalámparas y el cableado de la campana. Importante: No es posible reemplazar las bombillas individualmente, hay que considerar las bombillas, los portalámparas y el cableado como un conjunto. (Luz LED: máx. 1,5 W)

Coloque las bombillas de recambio, los portalámparas y el cableado de la misma manera que los originales. A continuación, reconecte el punto de cableado de la luz.

Vuelva a colocar el vidrio de la campana y apriete los tornillos del vidrio. Asegúrese de que los tornillos estén bien apretados.

RESOLUCIÓN DE PROBLEMAS

Fallo	Causa	Solución
La lámpara se enciende, pero el ventilador no funciona.	La pala del ventilador está atascada.	Apague el electrodoméstico y deje que el personal de asistencia proceda a repararlo.
	El motor está dañado.	
Tanto la lámpara como el ventilador no funcionan.	La bombilla halógena se ha fundido.	Sustituya la bombilla con una con la clasificación correcta.
	El cable de alimentación se suelta.	Vuelva a conectarlo al suministro eléctrico.
El electrodoméstico vibra mucho.	La pala del ventilador está dañada.	Apague el electrodoméstico y deje que el personal de asistencia proceda a repararlo.
	El motor del ventilador no está bien fijado.	Apague el electrodoméstico y deje que el personal de asistencia proceda a repararlo.
	El electrodoméstico no está bien sujeto en el soporte.	Retire la unidad y compruebe si el soporte está en la ubicación correcta.
La aspiración no es suficientemente potente.	Demasiada distancia entre el electrodoméstico y la placa de cocción.	Reajuste la distancia a 65-75 cm

Tecnología	Wifi
Estándar	802.11 b/g/n
Banda/s de frecuencia [MHz]	2400 MHz - 2483,5 MHz
Potencia máxima [mW]	100 mW

Información de producto para equipos en red	
consumo de energía del producto en modo standby en red si está conectado al suministro eléctrico los puertos de red están conectados y todos los puertos de red inalámbrica están activados:	2W
Cómo activar el puerto de red inalámbrica:	Si la campana se ha registrado en la app, active la campana para activar el puerto de red inalámbrica.
Cómo desactivar el puerto de red inalámbrica:	Si la campana se ha registrado en la app, desactive la campana para desactivar el puerto de red inalámbrica. Si la campana no se ha registrado en la app, el puerto de red inalámbrica se desactivará aunque la campana esté activada.

SERVICIO DE ASISTENCIA AL CLIENTE

Si no puede identificar la causa de la anomalía de funcionamiento, apague el aparato y póngase en contacto con el Servicio de Asistencia.

NÚMERO DE SERIE DEL PRODUCTO. ¿Dónde puedo encontrarlo?

Es importante que informe al Servicio de Asistencia del código de su producto y su número de serie (un código de 16 caracteres que comienza con el número 3); este se encuentra en el certificado de garantía o en la placa de datos situada en el electrodoméstico.

Ayudará a evitar viajes inútiles a los técnicos, ahorrando así (y lo que es más importante) los correspondientes cargos por llamadas.



Este electrodoméstico tiene la marca de conformidad con la Directiva europea 2012/19/UE sobre residuos de aparatos eléctricos y electrónicos (RAEE).

RAEE contiene tanto sustancias contaminantes (que pueden tener consecuencias negativas para el medio ambiente) y componentes básicos (que pueden reutilizarse). Es importante someter los RAEE a procedimientos específicos para eliminar y desechar de manera correcta todos los contaminantes, además de recuperar y reciclar todos los materiales.

Todos personalmente somos importantes cuando se trata de garantizar que los RAEE no se conviertan en un problema ambiental. Para esto, es fundamental respetar algunas reglas básicas:

Los RAEE no deben tratarse como residuos domésticos.

Los RAEE deben entregarse en los puntos de recogida pertinentes que gestionan los municipios o las empresas autorizadas. En algunos países existe un servicio de recogida de RAEE de gran tamaño.

En muchos países se puede entregar el electrodoméstico antiguo al comprar otro nuevo en el establecimiento, que deberá recogerlo de forma gratuita siempre que se trate de un aparato equivalente y que tenga las mismas funciones que el suministrado.

NÁVOD K INSTALACI A POUŽITÍ

OBSAH

ÚVOD.....	78
BEZPEČNOSTNÍ OPATŘENÍ.....	78
ELEKTRICKÁ INSTALACE.....	80
INSTALACE (MONTÁŽ NA ZEĎ).....	82
INSTALACE (ODVĚTRÁVÁNÍ DOVNITŘ).....	88
POPIS SOUČÁSTÍ.....	90
ÚDRŽBA.....	93
ŘEŠENÍ PROBLÉMŮ.....	94
ZÁKAZNICKÁ ASISTENČNÍ SLUŽBA.....	95

ÚVOD

Děkujeme vám, že jste si vybrali tento odsavač nad sporák.

Návod k obsluze je sestaven tak, aby obsahoval všechny potřebné pokyny týkající se instalace, použití a údržby spotřebiče. Přečtěte si tento návod pečlivě ještě před instalací a použitím, abyste spotřebič používali správně a bezpečně.

Odsavač par je vyrobený z vysoce kvalitních materiálů a má aerodynamický design. Odsavač par je vybavený silným elektromotorem a odstředivým ventilátorem. Vyznačuje se velkým sacím výkonem, nízkou provozní hlučností, nepřilnavým tukovým filtrem a jednoduchou montáží.

Candy Hoover Group Srl tímto prohlašuje, že rádiové zařízení je v souladu se směrnicí 2014/53/EU a s příslušnými zákonnými požadavky (pro trh UKCA). Úplné znění prohlášení o shodě je k dispozici na této internetové adrese: www.candy-group.com

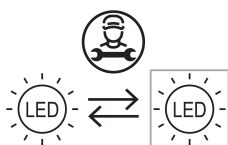
BEZPEČNOSTNÍ OPATŘENÍ

- Nikdy nedovolte dětem, aby obsluhovaly tento odsavač.
- Odsavač par je určen pouze pro domácí použití, není vhodný pro grilování, pečení ani jiná komerční využití.
- Odsavač par včetně filtru je třeba pravidelně čistit a udržovat ho tím v řádném provozním stavu.
- Čistěte odsavač par podle návodu k obsluze, a předcházejte tak nebezpečí vznícení odsavače.
- Nedovolte přímé pečení na plynovém sporáku. Zajistěte v kuchyni vyhovující proudění vzduchu.
- Před připojením tohoto spotřebiče zkontrolujte, zda není poškozen napájecí kabel. Poškozený napájecí kabel smí vyměňovat pouze kvalifikovaný servisní personál.
- Pokud se odsavač používá společně s jinými spotřebiči spalujícími plyn nebo jiná paliva, musí být v místnosti zajištěno dostatečné větrání.
- Vzduch se nesmí odvádět do kouřovodu, který se používá k odtahu spalin ze spotřebičů spalujících plyn nebo jiná paliva.
- Musejí být dodrženy předpisy týkající se vypouštění vzduchu.
- Děti musí být pod dohledem, aby se zajistilo, že si se spotřebičem nebudou hrát.
- Pod odsavačem nepřipravujte flambovaná jídla.
- Odsavač není určen k instalaci nad varnou desku s více než čtyřmi plotýnkovými prvky.

- Pokud se odsavač používá společně s jinými spotřebiči spalujícími plyn nebo jiná paliva, musí být v místnosti zajištěno dostatečné větrání (nevztahuje se na spotřebiče, které pouze vypouštějí vzduch zpět do místnosti).
- Podrobnosti o způsobu a frekvenci čištění.
- Pokud čištění není prováděno v souladu s pokyny, hrozí nebezpečí vzniku požáru.
- Pod odsavačem nepřipravujte flambovaná jídla.
- UPOZORNĚNÍ: Přístupné části se při použití s varnými spotřebiči mohou zahřát.

Nebezpečí úrazu elektrickým proudem

- Tento odsavač zapojte pouze do řádně uzemněné zásuvky. V případě pochybností požádejte o radu kvalifikovaného technika.
- Nedodržením těchto pokynů můžete způsobit úmrtí, požár nebo úraz elektrickým proudem.



Lampa použitá v tomto produktu není vhodná k použití při osvětlení místnosti. Účelem této žárovky je poskytnout osvětlení pro používání výrobku.

Elektrická instalace

Veškerá instalace musí být provedena odborně způsobilou osobou nebo kvalifikovaným elektrikářem. Před připojením síťového napájení se ujistěte, že síťové napětí odpovídá napětí na typovém štítku.

Přímé připojení

Spotřebič musí být připojen přímo k síti pomocí vícepólového jističe s minimální mezerou 3 mm mezi kontakty.

Instalační technik musí zajistit provedení správného elektrického připojení v souladu se schématem zapojení.

Kabel nesmí být nikde ohnutý ani stlačený.


Pravidelně kontrolujte zástrčku a napájecí kabel, zda nejsou poškozené. Pokud je napájecí kabel poškozen, musí být nahrazen speciálním kabelem nebo sestavou, která je k dispozici u výrobce nebo jeho servisního zástupce.

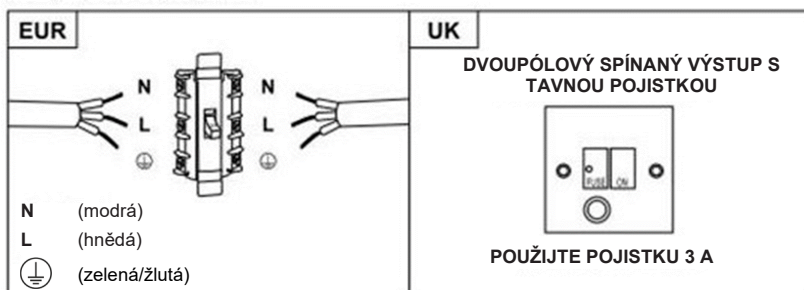
VAROVÁNÍ: Jedná se o spotřebič třídy I A MUSÍ být uzemněn

Tento spotřebič je dodáván se 3žilovým síťovým kabelem s následujícími barvami:

hnědá = L nebo živý,

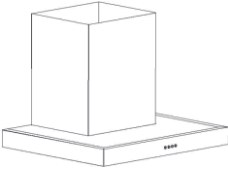

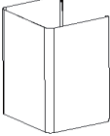

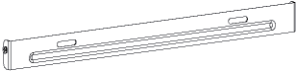






modrá = N nebo neutrální,

zelená a žlutá = E nebo uzemňovací .



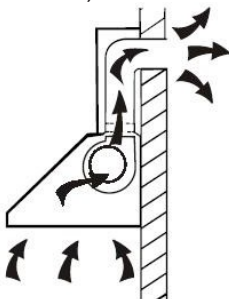
Pojistka musí být dimenzována na 3 A.

Seznam standardního instalačního příslušenství

Spec.	Ilustrační obrázek	Množ.
Pažnice		1
Horní komín		1
Spodní komín		1
Držák spodního komínu		1
Držák horního komínu		1
Závěsná deska		1
Ø8 hmoždinky Ø8×Ø6 bílá barva		9
Šrouby ST4,0 × 30		9
Ø7,2 šrouby ST4,0 × 8		2
Vývod vzduchu		1
Uhlíkový filtr		2

INSTALACE (montáž na zed')

Pokud máte vývod ven, můžete odsavač par připojit podle níže uvedeného obrázku pomocí odtahového potrubí (smaltové, hliníkové, nehořlavé ohebné potrubí s vnitřním průměrem 150 mm).



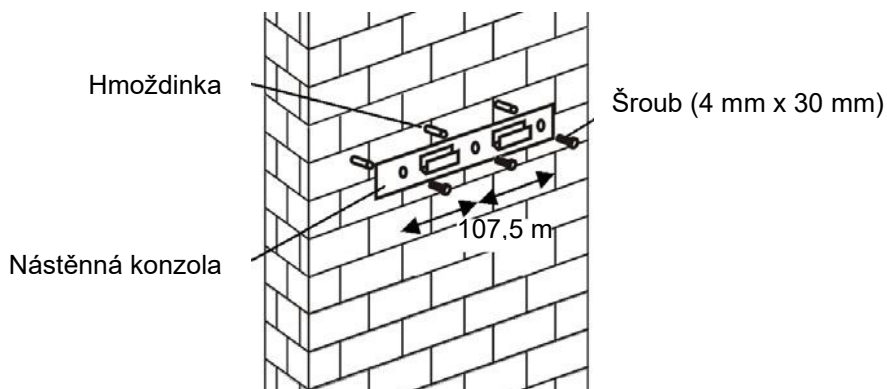
1. Před instalací odsavač vypněte a odpojte ho ze zásuvky.



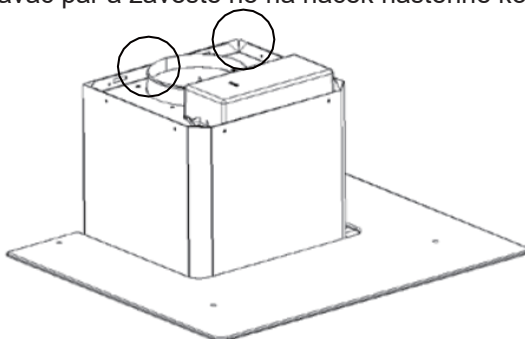
2. Odsavač par funguje nejlépe, pokud je umístěn ve vzdálenosti 65~75 cm nad varnou plochou.



3. Vyrtejte 3 x 8 mm otvory pro upevnění konzoly. Pomocí dodaných šroubů přišroubujte a utáhněte konzolu na zed'.



4. Zvedněte odsavač par a zavěste ho na háček nástěnné konzoly.

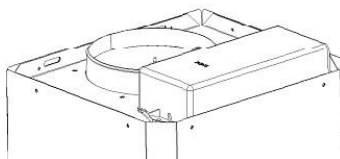


5. Připevněte jednosměrný ventil k vývodu vzduchu z odsavače par. Poté připojte odtahové potrubí k jednosměrnému ventilu, jak je znázorněno níže.

Odtahové potrubí



Odsavač par

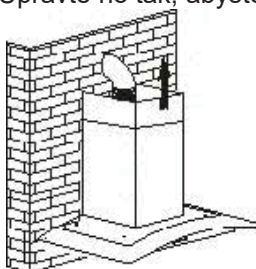


6.

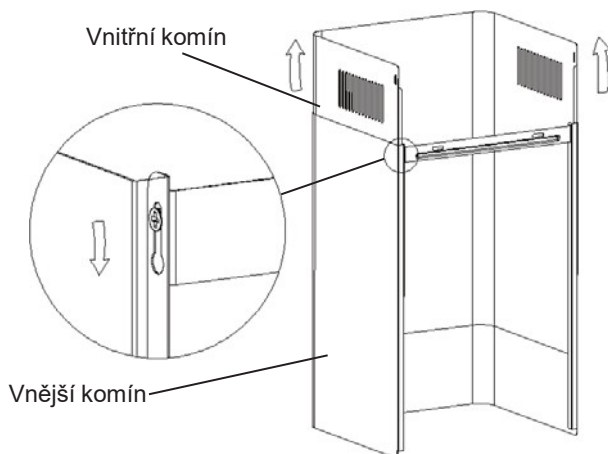
- i. Umístěte sklo do příslušné polohy na horní část odsavače par.
- ii. Upevněte ho pomocí 4 šroubů a podložek. Aby nedošlo k prasknutí skla, neutahujte šrouby příliš silně.

7.

- i. Vnitřní komín vložte do vnějšího komínu. Poté vnitřní komín vytáhněte nahoru. Upravte ho tak, abyste dosáhli požadované výšky.

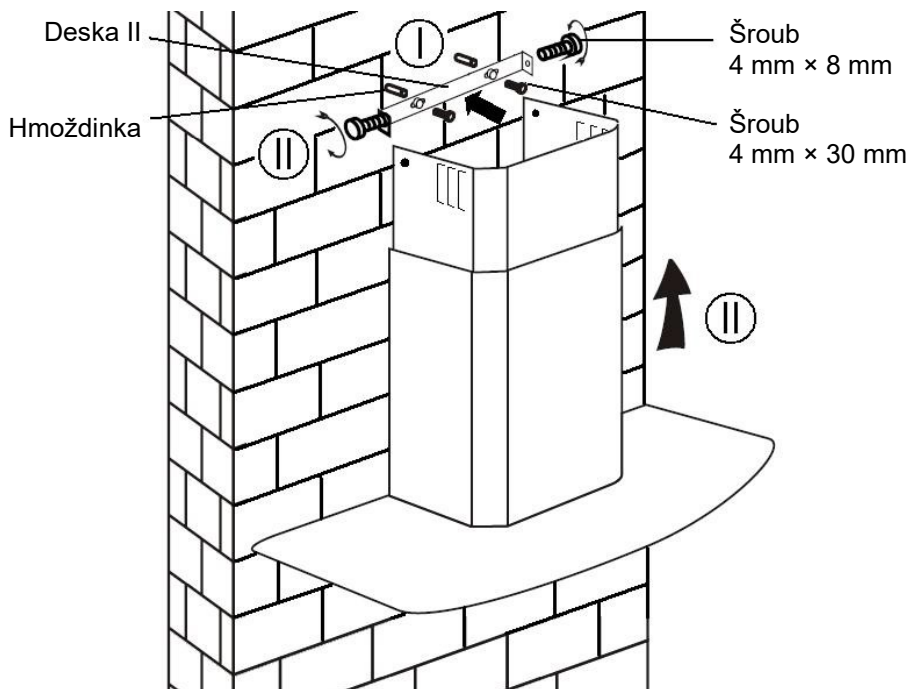


- ii. Posunutím komínu nastavíte jeho výšku. Jakmile dosáhnete požadované výšky, zavěste upevňovací otvor na upevňovací šrouby, jak je znázorněno na následujících obrázcích.

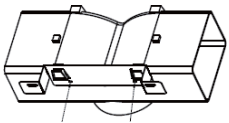
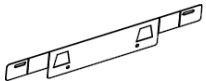





8.

- i. Vyrtejte 2 x 8 mm otvory pro umístění desky II. Přišroubujte a utáhněte desku II na zeď pomocí 2 dodaných šroubů.
- ii. Namontujte komín na jednotku a upevněte ho pomocí 2 šroubů.



Seznam standardního instalačního příslušenství

Spec.	Ilustrační obrázek	Množ.
Deflektor vzduchu		1
Držák		1
Ø8 hmoždinky Ø8× Ø6 bílá barva		2
Šrouby ST4,0 × 30		2
Šrouby ST3,5 × 12		2

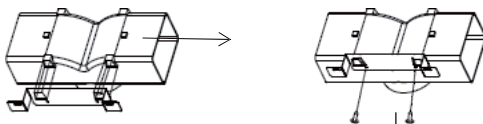
INSTALACE (DEFLEKTOR VZDUCHU):

Deflektor vzduchu je uveden jako součást dodávky, nikoli volitelný.

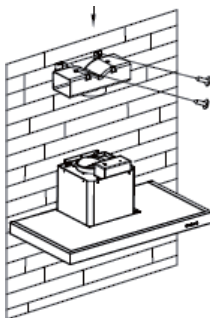
1. Před instalací zakřivte oba konce konzoly, jak je znázorněno níže:



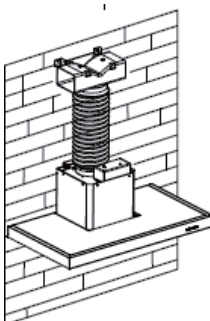
2. Připevněte konzolu k plastovému vývodu ve tvaru T pomocí 2 ks dodaných šroubů ST3,5 x 12 mm.



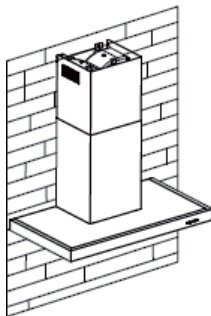
3. Vyvrtejte 2 otvory pro umístění hmoždinek, poté přišroubujte a utáhněte konzolu na zeď pomocí 2 ks dodaných šroubů ST4 x 30 mm.



4. Připojte odtahové potrubí k vývodu vzduchu z odsavače par, jak je znázorněno níže:



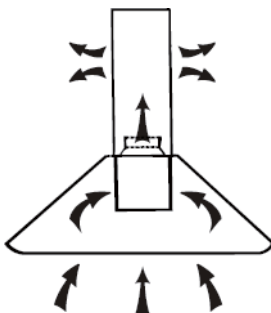
5. Namontujte komín na jednotku a upevněte ho.



- Vezměte prosím na vědomí: Plastový vývod ve tvaru T a klapky ve tvaru V nelze používat současně. Můžete je používat dvěma způsoby: 1) Přidejte klapku ve tvaru V na stávající vývod; 2) Použijte plastový vývod ve tvaru T, nepřidávejte klapku ve tvaru V.
- Poznámka: S výrobkem je jako příslušenství dodávána klapka ve tvaru V. Toto příslušenství není pro instalaci, provoz a používání výrobku povinné.

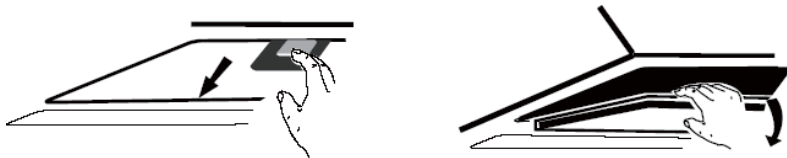
INSTALACE (ODVĚTRÁVÁNÍ DOVNITŘ)

Pokud nemáte větrací otvor směrem ven, odtahové potrubí není nutné a instalace bude podobná jako na obrázku v části „INSTALACE (ODVĚTRÁVÁNÍ VEN)“.

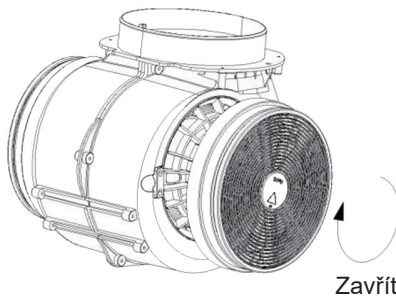


K zachycení pachů lze použít filtr s aktivním uhlím.

Při instalaci filtru s aktivním uhlím je třeba nejprve odmontovat tukový filtr. Stiskněte pojistku a stáhněte ho směrem dolů.



Vložte filtr s aktivním uhlím do odsavače a otočte jím ve směru hodinových ručiček. Stejný postup opakujte na druhé straně.



POZNÁMKA:



- o Ujistěte se, že je filtr pevně zajištěný. V opačném případě by se mohl uvolnit a představovat nebezpečí.
- o Když je osazen filtr s aktivním uhlím, sací výkon se sníží.

POPIS SOUČÁSTÍ

KONFIGURACE 1

1 2 3 B B⁺  

PROVOZ

- 1 Tlačítko nízké rychlosti**
Používá se na odvětrávání do kuchyně. Je vhodný pro dušení pokrmů a vaření, při kterém nevzniká velké množství páry.
- 2 Tlačítko střední rychlosti**
Rychlost proudění vzduchu je ideální pro odvětrávání při standardním vaření.
- 3 Tlačítko vysoké rychlosti**
Při vysoké hustotě kouře nebo páry stiskněte tlačítko vysoké rychlosti, které zajistí vysokou účinnost odvětrávání.
- B Boost 1 (rychlost 4)**
Stiskněte tlačítko rychlosti b 1, rozsvítí se podsvícení tlačítka rychlosti B a odsavač par bude pracovat v intenzivním režimu.
- B⁺ Boost 2 (rychlost 5)**
Stiskněte tlačítko rychlosti b 2, rozsvítí se podsvícení tlačítka rychlosti B⁺ a odsavač par bude pracovat v intenzivním režimu.
-  **Osvětlení**
Krátké stisknutí pro zapnutí a vypnutí osvětlení
Rychlý časovač: Dlouhé stisknutí tlačítka osvětlení po dobu 3 sekund, tlačítka otáček ventilátoru budou blikat a probíhá odpočet 5 minut, po 5 minutách se motor a osvětlení automaticky vypnou a bzučák třikrát zazní.
-  **Připojení Wi-Fi**
Dlouhé stisknutí ikony Wi-Fi a přechod do režimu připojení: podsvícení ikony Wi-Fi stále bliká a indikuje, že probíhá připojení, podsvícení ikony Wi-Fi svítí a indikuje, že připojení je navázáno, to stejné platí pro pohotovostní režim; opětovně dlouhé stisknutí ikony Wi-Fi ukončí připojení.

KONFIGURACE 2

1

2

3

B



POHOTOVOSTNÍ REŽIM

Po zapojení vše svítí, systém je v **POHOTOVOSTNÍM REŽIMU**.

1

Tlačítko nízké rychlosti

Používá se na odvětrávání do kuchyně. Je vhodný pro dušení pokrmů a vaření, při kterém nevzniká velké množství páry.

2

Tlačítko střední rychlosti

Rychlost proudění vzduchu je ideální pro odvětrávání při standardním vaření.

3

Tlačítko vysoké rychlosti

Při vysoké hustotě kouře nebo páry stiskněte tlačítko vysoké rychlosti, které zajistí vysokou účinnost odvětrávání.

B

Funkce posilovače

Tento odsavač je vybavený funkcí zvýšení otáček na maximum. Chcete-li aktivovat posilovač, stiskněte **B** na rychlost 4, zadejte nejvyšší rychlost, když je odsavač v provozu, a rychlost se zvýší na dobu 5 minut, než se opět zpomalí.



Osvětlení

Krátké stisknutí pro zapnutí a vypnutí osvětlení

Rychlý časovač: Dlouhé stisknutí tlačítka osvětlení po dobu 3 sekund, tlačítka otáček ventilátoru budou blikat a probíhá odpočet 5 minut, po 5 minutách se motor a osvětlení automaticky vypnou a bzučák třikrát zazní.



Připojení Wi-Fi

Dlouhé stisknutí ikony Wi-Fi a přechod do režimu připojení: podsvícení ikony Wi-Fi stále bliká a indikuje, že probíhá připojení, podsvícení ikony Wi-Fi svítí a indikuje, že připojení je navázáno, to stejné platí pro pohotovostní režim; opětovné dlouhé stisknutí ikony Wi-Fi ukončí připojení.

Stáhněte si aplikaci hOn

Nejprve je třeba, abyste si stáhli aplikaci hOn a nainstalovali ji do svého přenosného zařízení. Poté zaregistruje svůj odsavač.



POZNÁMKA

Get ready to add your appliance

- 1 Stay close to your appliance
- 2 While in front of your appliance, ensure that your smartphone is connected to a 2.4GHz Wi-Fi network with a stronger signal
[CHANGE WI-FI SETTINGS](#)
- 3 Public networks are not allowed due to low security and reliability.
- 4 Prepare to enter your Home Wi-Fi password.

REGISTRACE ODSAVAČE HAIER



Jediným účelem obrázku je představení odsavače. Nemusí být zcela vypovídající.

1 – Držte stisknuté tlačítko Wi-Fi, dokud ikona nezačne blikat. Po dokončení párování se ikona Wi-Fi rozsvítí.

ÚDRŽBA

Před čištěním vypněte odsavač a vytáhněte zástrčku.

I. Pravidelné čištění

Používejte měkký hadřík navlhčený vlažnou vodou s jemným saponátem nebo čisticím prostředkem pro domácnosti. Nikdy nepoužívejte k čištění spotřebiče kovové drátěnky, chemický či abrazivní prostředek nebo tuhý kartáček.

II. Měsíční čištění tukového filtru

ZÁSADNÍ: Vyčištění filtru jednou za měsíc může zabránit nebezpečí požáru.

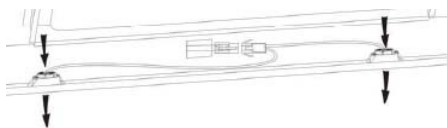
Filtr zachycuje tuk, kouř a prach...takže filtr přímo ovlivňuje účinnost odsavače par. Pokud ho nevyčistíte, budou zbytky tuku (potenciálně hořlavé) filtr zanášet. Vyčistěte ho čisticím prostředkem pro domácnosti.

III. Roční čištění filtru s aktivním uhlím

Platí **POUZE** pro jednotku, která je instalovaná jako recirkulační jednotka (bez odvětrávání ven). Tento filtr zachycuje pachy a musí být vyměňován alespoň jednou ročně v závislosti na tom, jak často se odsavač par používá.

IV. Výměna žárovky

Vyšroubujte šrouby a sejměte krycí sklo. Najděte žárovku, kterou je třeba vyměnit. Najdete ji v osvětlovacím tělese uvnitř odkryté části krytu odsavače.



Odpojte svorkovnici osvětlení a vytáhněte objímky žárovek včetně vodičů z odsavače. Důležité: Žárovky nelze měnit jednotlivě, bude nutné opatřit si žárovky, objímky žárovek a vodiče jako jeden celek. (LED žárovka: MAX 1,5 W)

Namontujte náhradní žárovky, objímky žárovek a vodiče na místa původních dílů. Poté znovu zapojte svorkovnici osvětlení.

Znovu nasadte sklo odsavače a upevněte skleněné šrouby. Ujistěte se, že šrouby jsou zcela utaženy.

ŘEŠENÍ PROBLÉMŮ

Porucha	Příčina	Řešení
Osvětlení zapnuté, ale ventilátor nefunguje.	Lopatka ventilátoru je vzpříčená.	Vypněte jednotku a nechte ji opravit výhradně kvalifikovaným servisním personálem.
	Motor je poškozený.	
Osvětlení ani ventilátor nefungují.	Halogenová žárovka je spálená.	Vyměňte žárovku za stejný typ.
	Volný napájecí kabel.	Zastrčte ho znovu do síťové zásuvky.
Závažné vibrace odsavače.	Lopatka ventilátoru je poškozená.	Vypněte jednotku a nechte ji opravit výhradně kvalifikovaným servisním personálem.
	Motor ventilátoru není řádně upevněný.	Vypněte jednotku a nechte ji opravit výhradně kvalifikovaným servisním personálem.
	Odsavač není správně zavěšený na konzole.	Sundejte odsavač a zkontrolujte správné umístění konzoly.
Sací výkon je nízký.	Příliš velká vzdálenost mezi odsavačem a varnou plochou.	Nastavte vzdálenost na 65–75 cm.

Technologie	Wi-Fi
Norma	802.11 b/g/n
Frekvenční pásmo(-a) [MHz]	2400 MHz–2483,5 MHz
Maximální výkon [mW]	100 mW

Informace o produktu pro zařízení v síti	
Spotřeba elektrické energie výrobku v pohotovostním režimu při připojení k síti, pokud jsou všechny porty kabelové sítě připojeny a všechny porty bezdrátové sítě jsou aktivovány:	2 W
Jak aktivovat port bezdrátové sítě:	Pokud byl odsavač zaregistrován pomocí APLIKACE, aktivujete port bezdrátové sítě zapnutím odsavače.
Jak deaktivovat port bezdrátové sítě:	Pokud byl odsavač zaregistrován pomocí APLIKACE, deaktivujete port bezdrátové sítě vypnutím odsavače. Pokud nebyl odsavač zaregistrován pomocí APLIKACE, bude port bezdrátové sítě deaktivován i při zapnutém odsavači.

ZÁKAZNICKÁ ASISTENČNÍ SLUŽBA

Pokud nemůžete zjistit příčinu provozní anomálie, vypněte spotřebič a obraťte se na asistenční službu.

SÉRIOVÉ ČÍSLO PRODUKTU. Kde ho najdu?

Je důležité, abyste asistenční službě podali informaci o kódu vašeho výrobku a jeho sériovém čísle (16místném kódu, který začíná číslem 3); ten naleznete na záručním listu nebo na štítku s údaji umístěném na spotřebiči.

Pomůže to vyhnout se zbytečným cestám techniků, čímž (což je nejdůležitější) ušetříte za související poplatky za přivolání.



Tento spotřebič je označen v souladu s evropskou směrnicí 2012/19/EU o odpadních elektrických a elektronických zařízeních (OEEZ).

OEEZ obsahuje jak znečišťující látky (které mohou mít negativní dopady na životní prostředí), tak základní složky (které lze znovu použít). Je nutné provést speciální zpracování OEEZ, aby se odstranily a správně zlikvidovaly všechny znečišťující látky a obnovily a zrecyklovaly všechny materiály.

Jednotlivci mohou hrát důležitou roli při zajišťování toho, aby se spotřebič podléhající OEEZ nestal zátěží pro životní prostředí. Je nezbytné dodržovat několik základních pravidel:

Spotřebič podléhající OEEZ se nesmí likvidovat jako domovní odpad;

Spotřebič podléhající OEEZ se musí předat na příslušné sběrné místo pod správou obce nebo autorizovaných společností. V mnoha zemích může být v případě velkých spotřebičů podléhajících OEEZ k dispozici domovní sběr.

V mnoha zemích, když si zakoupíte nový spotřebič, můžete starý spotřebič vrátit prodejci, který ho musí přijmout zdarma na základě výměny kus za kus, pokud je zařízení stejného typu a má stejné funkce jako dodané zařízení.

NÁVOD NA INŠTALÁCIU A POUŽITIE

OBSAH

ÚVOD.....	97
BEZPEČNOSTNÉ OPATRENIA.....	97
ELEKTRICKÁ INŠTALÁCIA	99
INŠTALÁCIA (MONTÁŽ NA STENU)	101
INŠTALÁCIA (VNÚTORNÉ VETRANIE)	107
POPIS KOMPONENTOV.....	109
ÚDRŽBA	112
RIEŠENIE PROBLÉMOV	113
ASISTENČNÁ SLUŽBA PRE ZÁKAZNÍKOV.....	114

ÚVOD

Ďakujeme, že ste si vybrali tento digestor.

Tento návod vám má poskytnúť všetky potrebné pokyny ohľadne inštalácie, používania a údržby prístroja. Pre správu a bezpečnú prevádzku zariadenia si starostlivo prečítajte tento návod ešte pred inštaláciou a používaním.

Digestor je vyrobený z vysokokvalitných materiálov a má moderný dizajn. Je vybavený vysokovýkonným elektromotorom a odstredivým ventilátorom a poskytuje tiež silný sací výkon, prevádzku s nízkou hlučnosťou, nelepivý tukový filter a jednoduchú montáž.

Týmto Candy Hoover Group Srl vyhlasuje, že rádiové zariadenie je v súlade so smernicou 2014/53/EÚ a príslušnými zákonnými požiadavkami (pre trh UKCA). Úplné znenie vyhlásenia o zhode je k dispozícii na tejto internetovej adrese: www.candy-group.com

BEZPEČNOSTNÉ OPATRENIA

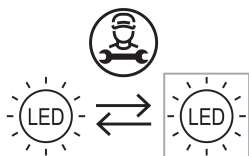
- Nikdy nedovoľte, aby zariadenie obsluhovali deti.
- Digestor je určený len na domáce použitie, nie je vhodný na grilovanie, opekanie či iné komerčné účely.
- Digestor aj príslušný filter sa musí pravidelne čistiť, aby boli v dobrom funkčnom stave.
- Vyčistíte digestor podľa návodu na použitie a dávajte pozor, aby zariadenie nebolo vystavené nebezpečenstvu ohňa.
- Priame pečenie pomocou plynového variča je zakázané. V kuchyni udržiajte dobré prúdenie vzduchu.
- Pred pripojením tohto zariadenia skontrolujte, či nie je poškodený napájací kábel. Poškodený napájací kábel môže vymeniť iba kvalifikovaný servisný pracovník.
- Počas používania digestora súčasne so zariadeniami, ktoré spaľujú plyn alebo iné palivá, treba mať dostatočné vetranie miestnosti.
- Vzduch sa nesmie odvádzať do komína, ktorý sa používa na odvádzanie výparov zo zariadení, ktoré spaľujú plyn alebo iné palivá.
- Musíte dodržiavať predpisy o odvádzaní vzduchu.
- Deti by mali byť pod dozorom, aby sa zaistilo, že sa nebudú hrať so zariadením.
- Pod digestorom nevlambujte.
- Digestor nie je určený na inštaláciu nad varnú dosku s viac

ako štyrmi varnými prvkami

- Počas používania digestora súčasne so zariadeniami, ktoré spaľujú plyn alebo iné palivá (neplatí pre spotrebiče, ktoré vzduch iba filtrujú a privádzajú ho späť do miestnosti), je potrebné mať dostatočné vetranie miestnosti;
- podrobnosti týkajúce sa metód a intervalov čistenia.
- ak sa čistenie nevykonáva v súlade s pokynmi, existuje riziko požiaru;
- pod digestorom neflambujte;
- **UPOZORNENIE:** Prístupné časti sa môžu zahriať pri používaní s varnými spotrebičmi.

Nebezpečenstvo úrazu elektrickým prúdom

- Toto zariadenie zapojte iba do správne uzemnenej zásuvky. Ak máte pochybnosti, požiadajte o radu kvalifikovaného technika.
- Nedodržanie týchto pokynov môže spôsobiť smrť, požiar alebo zásah elektrickým prúdom.



Lampa použitá v tomto výrobku nie je vhodná na osvetlenie miestnosti.

Účelom tejto žiarovky je poskytnúť osvetlenie na používanie výrobku.

Všetky inštalačné práce musí vykonať kompetentná osoba alebo spôsobilý elektrikár. Pred pripojením sieťového napájania sa uistite, že sieťové napätie zodpovedá napätiu na typovom štítku.

Priame pripojenie

Spotrebič musí byť pripojený priamo k sieti pomocou viacpólového ističa s minimálnou medzerou 3 mm medzi kontaktmi.

Inštalačný technik musí zabezpečiť vykonanie správneho elektrického pripojenia v súlade so schémou zapojenia.

Kábel sa nesmie ohýbať ani stláčať.

Pravidelne kontrolujte zástrčku a napájací kábel, či nie sú poškodené. Ak je napájací kábel poškodený, musí sa vymeniť za špeciálny kábel alebo sústavu od výrobcu alebo jeho servisného zástupcu.

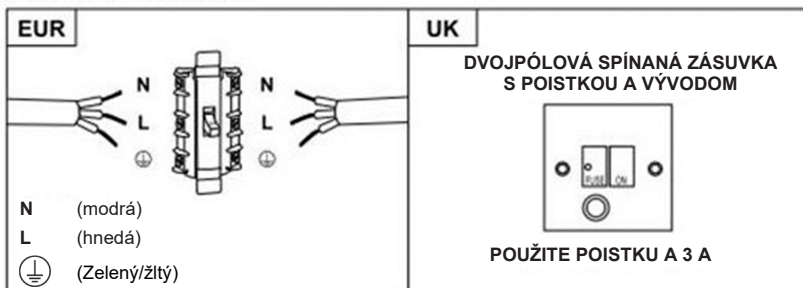
VAROVANIE: Toto je zariadenie triedy I a MUSÍ byť uzemnené

Tento spotrebič je dodávaný so 3-žilovým sieťovým káblom s nasledujúcimi farbami:

hnedý = L alebo živý,

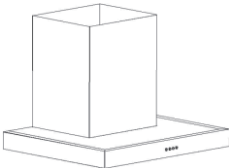
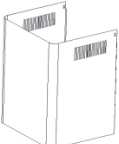
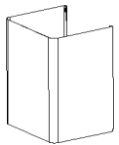

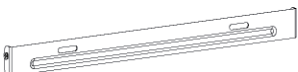






modrý = N alebo neutrálny,

zelený a žltý = E alebo uzemňovací (⊥)



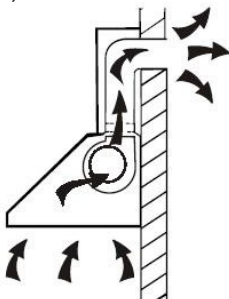
Poistka musí mať menovitý výkon 3 A.

Zoznam štandardného inštalačného príslušenstva

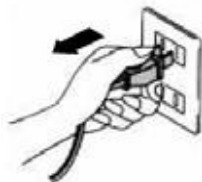
Špecifikácia	Ilustračný obrázok	Množstvo
Kryt		1
Vrchný komín		1
Spodný komín		1
Držiak spodného komína		1
Držiak vrchného komína		1
Závesná doska		1
$\varnothing 8$ krycie uzávery $\varnothing 8 \times \varnothing 6$ biela farba		9
Skrutky ST4,0 \times 30		9
$\varnothing 7.2$ skrutky ST4.0 \times 8		2
Vývod vzduchu		1
Uhlíkový filter		2

INŠTALÁCIA (montáž na stenu)

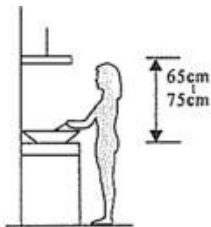
Ak máte výstup na vonkajšiu stranu, digestor môžete pripojiť ako na obrázku nižšie pomocou extrakčného potrubia (smalt, hliník, ohybná rúra nehorľavá s vnútorným priemerom 150 mm).



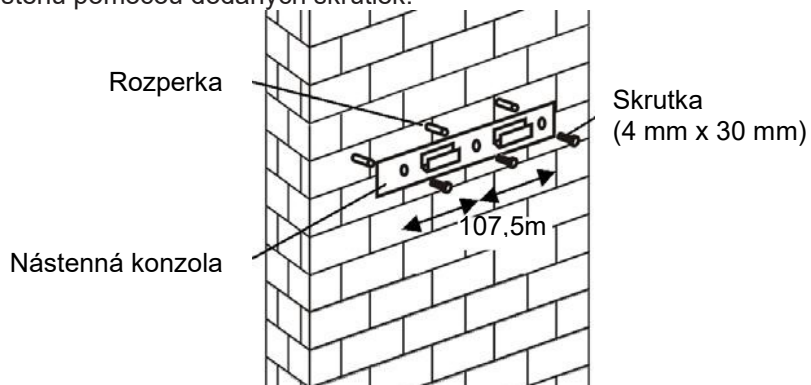
1. Prístroj pred inštaláciou vypnite a odpojte od siete.



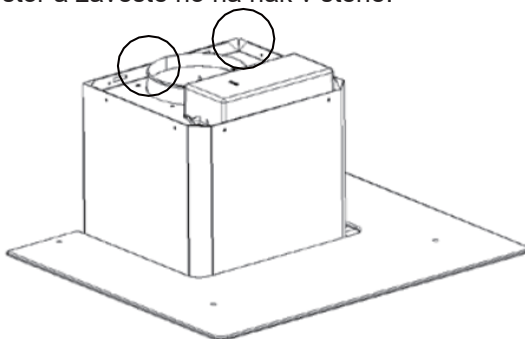
2. Digestor treba na dosiahnutie najlepšieho účinku umiestniť 65~75cm nad varnú dosku.



3. Vyrvajte 3 x 8 mm otvory pre držiak. Zaskrutkujte a utiahnite držiak na stenu pomocou dodaných skrutiek.



4. Zdvihnite digestor a zaveste ho na hák v stene.

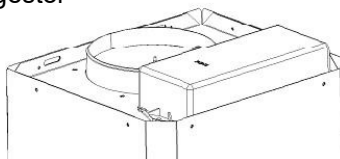


5. Pripevnite jednosmerný ventil na výstup vzduchu z digestora. Potom pripojte výstupnú rúru k jednosmernému ventilu, ako je uvedené nižšie.

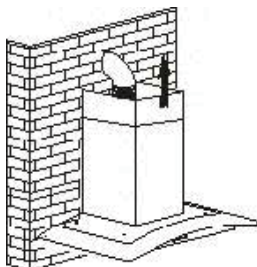
Odsávacie
potrubie



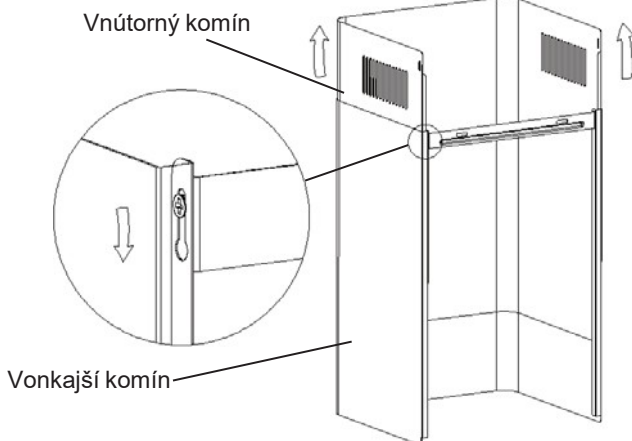
Kuchynský digestor



- 6.
- Umiestnite sklo do správnej polohy na vrchu digestora.
 - Upevnite ho pomocou 4 skrutiek a podložiek. Aby ste zabránili praskaniu skla, neuťahujte skrutky príliš silno.
- 7.
- Vložte vnútorný komín do vonkajšieho komína. Potom vytiahnite vnútorný komín nahor. Nastavte tak, aby ste dosiahli požadovanú výšku.

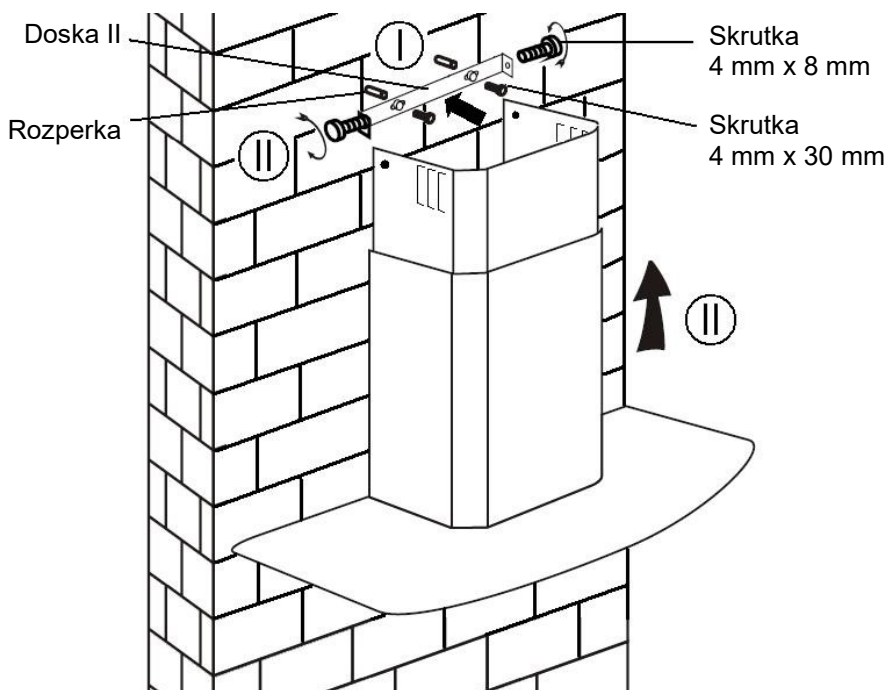


- ii. Posúvaním komína nastavte výšku komína. Keď dosiahnete požadovanú výšku, zaveste upevňovací otvor k upevňovacím skrutkám, ako je znázornené na obrázkoch nižšie.

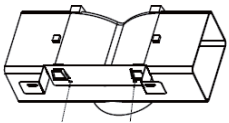
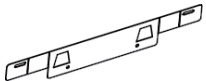





8.

- i. Vyvrtajte 2 x 8 mm otvory pre dosku II. Zaskrutkujte a utiahnite dosku II na stenu pomocou 2 dodaných skrutiek.
- ii. Namontujte komín na zariadenie a upevnite 2 skrutkami.



Zoznam štandardného inštalačného príslušenstva

Špecifikácia	Ilustračný obrázok	Množstvo
Deflektor vzduchu		1
Konzola		1
Ø8 hmoždinky Ø8× Ø6biela farba		2
Skrutky ST4,0×30		2
Skrutky ST3,5×12 mm		2

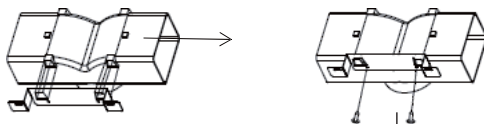
MONTÁŽ (VZDUCHOVÝ DEFLEKTOR):

Deflektor vzduchu je uvedený ako súčasť balenia a nie je dobrovoľný.

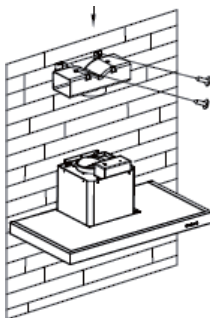
1. Pred montážou zahnite oba konce konzoly ako je zobrazené na obrázku:



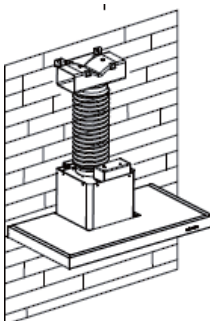
2. Upevnite konzolu k plastovému výstupu v tvare T pomocou dodaných 2ks skrutiek ST3,5x12 mm.



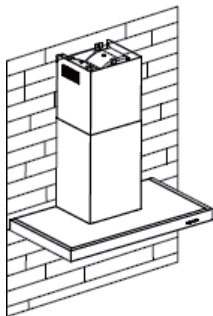
3. Vyvrtajte 2 otvory na upevnenie hmoždiniek do steny, potom priskrutkujte a utiahnite konzolu na stenu pomocou dodaných 2ks skrutiek ST4x30 mm.



4. Pripojte výfukové potrubie na výstup vzduchu z digestora, ako je znázornené nižšie:



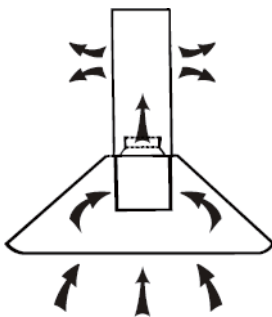
5. Nainštalujte komín na jednotku a upevnite ho.



- Upozorňujeme, že: Plastový výstup v tvare písmena T a v-klapky sa nemôžu používať súčasne. Môžete ich použiť dvoma spôsobmi: 1) Pridajte v- klapku na existujúci výstup; 2) Použite plastový výstup v tvare T, bez prídania v- klapky.”
- Poznámka: Výrobok je dodávaný s príslušenstvom pre v-klapky. Toto príslušenstvo nie je povinné na inštaláciu, prevádzku a používanie výrobku.”

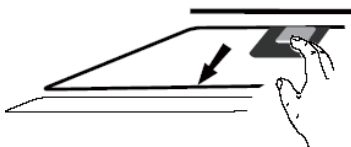
INŠTALÁCIA (VNÚTORNÉ VETRANIE)

Ak nemáte vývod vonku, odsávacie potrubie nie je potrebné a inštalácia je podobná ako v časti „INŠTALÁCIA (VONKAJŠIE VETRANIE)“.

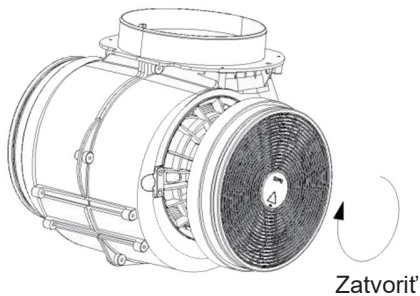


Filter s aktívnym uhlím sa dá používať na zachytávanie pachov.

Na inštaláciu filtra s aktívnym uhlím treba najprv odobrať tukový filter. Zatlačte zámok a potiahnite ho nadol.



Filter s aktívnym uhlím vložte do jednotky a upevnite ho otočením v smere hodinových ručičiek. Ten istý postup zopakujte na opačnej strane.



POZNÁMKA:



- o *Presvedčte sa, že je filter bezpečne zaistený. Ináč by sa mohol uvoľniť a spôsobiť poškodenie.*
- o *Po pripojení filtra s aktívnym uhlím sa zníži sací výkon.*

POPIS KOMPONENTOV

KONFIGURÁCIA 1

1 2 3 B B⁺  

PREVÁDZKA

- 1 Tlačidlo pomalých otáčok**
Používa sa na vetranie kuchyne. Je vhodný na dusenie a varenie, ktoré nevytvára veľa pary.
- 2 Tlačidlo stredných otáčok**
Rýchlosť prúdenia vzduchu je ideálna pre vetranie pri štandardnom varení.
- 3 Tlačidlo vysokých otáčok**
Ak vzniká vysoká hustota dymu alebo pary, stlačte tlačidlo vysokej rýchlosti pre vysokoúčinné vetranie.
- B Boost 1 (rýchlosť 4)**
Stlačte tlačidlo rýchlosti b 1, podsvietenie tlačidla rýchlosti B je zapnuté a digestor pracuje v režime boost;
- B⁺ Boost 2 (rýchlosť 5)**
Stlačte tlačidlo rýchlosti b 2, podsvietenie tlačidla rýchlosti B+ je zapnuté a digestor pracuje v režime boost;
-  **Svetlo**
Krátke stlačenie pre zapnutie a vypnutie osvetlenia
Rýchly časovač: Dlhé stlačenie tlačidla svetla na 3 sekundy, tlačidlá rýchlosti ventilátora budú blikať a začne odpočítavanie 5 minút, po 5 minútach sa motor a svetlo vypnú automaticky s tromi zvukmi bzučania.
-  **Pripojenie Wi-Fi**
Dlhé stlačenie ikony WiFi a prepnutie do režimu pripojenia: blikanie podsvietenia ikony WiFi indikuje, že pripojenie je v procese pripojenia, rozsvietené podsvietenie ikony WiFi indikuje, že je pripojené, rovnako ako v pohotovostnom režime; dlhé stlačenie ikony WiFi znova a pripojenie sa zastaví;

KONFIGURÁCIA 2

1

2

3

B



POHOTOVOST REŽIM.

Po zapojení, všetko osvetlenie, systém v **POHOTOVOSTNOM REŽIME**.

1

Tlačidlo pomalých otáčok

Používa sa na vetranie kuchyne. Je vhodný na dusenie a varenie, ktoré nevytvára veľa pary.

2

Tlačidlo stredných otáčok

Rýchlosť prúdenia vzduchu je ideálna pre vetranie pri štandardnom varení.

3

Tlačidlo vysokých otáčok

Ak vzniká vysoká hustota dymu alebo pary, stlačte tlačidlo vysokej rýchlosti pre vysokoúčinné vetranie.

B

Funkcia zvýšenia výkonu

Tento digestor má funkciu zvýšenia výkonu. Ak chcete aktivovať booster, stlačte **B** na rýchlosť 4 a prejdite na najvyššiu rýchlosť počas používania digestora a na 5 minút sa zvýši rýchlosť, potom sa znova zníži.



Svetlo

Krátko stlačenie pre zapnutie a vypnutie osvetlenia

Rýchly časovač: Dlhé stlačenie tlačidla svetla na 3 sekundy, tlačidlá rýchlosti ventilátora budú blikať a začne odpočítavanie 5 minút, po 5 minútach sa motor a svetlo vypnú automaticky s tromi zvukmi bzučania.



Pripojenie Wi-Fi

Dlhé stlačenie ikony WiFi a prepnutie do režimu pripojenia: blikanie podsvietenia ikony WiFi indikuje, že pripojenie je v procese pripojenia, rozsvietené podsvietenie ikony WiFi indikuje, že je pripojené, rovnako ako v pohotovostnom režime; dlhé stlačenie ikony WiFi znova a pripojenie sa zastaví;

Stiahnite si aplikáciu hOn

Najprv by ste si mali stiahnuť aplikáciu hOn a nainštalovať ju do mobilného zariadenia. Potom registrujte váš digestor.



POZNÁMKA

Get ready to add your appliance

- 1 Stay close to your appliance
- 2 While in front of your appliance, ensure that your smartphone is connected to a 2.4GHz Wi-Fi network with a stronger signal

[CHANGE WI-FI SETTINGS](#)

- 3 Public networks are not allowed due to low security and reliability.
- 4 Prepare to enter your Home Wi-Fi password.

REGISTRÁCIA DIGESTORA HAIER



Jediným účelom obrázka je prezentovať digestor. Nemusí byť úplne reprezentatívny.

1- Stlačte tlačidlo WiFi, kým ikona nezačne blikať. Po dokončení párovania bude ikona WiFi zapnutá.

ÚDRŽBA

Jednotku pred čistením vypnite a vytiahnite zástrčku.

I. Bežné čistenie

Použite jemnú handričku navlhčenú s vlažnou jemne mydlovou vodou alebo domácim čistiacim prostriedkom. Na čistenie jednotky nikdy nepoužívajte kovové podložky, abrazívny materiál ani pevné kefy.

II. Mesačné čistenie tukového filtra

DÔLEŽITÉ: Čistenie filtra raz za mesiac môže zabrániť riziku požiaru.

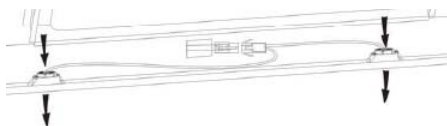
Filter zachytáva tuk, dym a prach... takže filter priamo ovplyvňuje účinnosť digestora. Ak ho nevyčistíte, nazbierajú sa na ňom mastné zvyšky (potenciálne horľavé). Vyčistite ho s domácim čistiacim prostriedkom.

III. Ročné čistenie filtra s aktívnym uhlím

Používajte IBA na jednotku, ktorá je nainštalovaná ako obehová (nevyvedená von). Tento filter zachytáva pachy a musíte ho vymieňať aspoň raz ročne podľa toho ako často sa digestor používa.

IV. Výmena žiarovky

Odskrutkujte skrutky na skle a vyberte sklo digestora. Nájdite žiarovku, ktorá sa musí vymeniť, nájdete ju umiestnenú v objímke, ktorá sa nachádza vo vnútri odkrytej časti ochranného krytu.



Odpojte bod vedenia svetla a vyberte držiaky žiaroviek a káble z digestora. Dôležité: Žiarovky nie je možné vymeniť jednotlivo, musíte použiť žiarovky, držiaky žiaroviek a vodiče ako kompletnú zostavu. (LED svetlo: MAX. 1,5 W)

Namontujte náhradné žiarovky, držiaky žiaroviek a vedenie rovnakým spôsobom ako pôvodné. Potom znova pripojte bod vedenia žiarovky.

Namontujte sklo digestora a upevnite skrutky skla. Uistite sa, že sú skrutky úplne utiahnuté.

RIEŠENIE PROBLÉMOV

Porucha	Príčina	Riešenie
Svetlo svieti, ale nefunguje ventilátor	List ventilátora sa zasekol.	Vypnite zariadenie a nechajte ho opraviť kvalifikovanému servisnému personálu.
	Motor je poškodený.	
Nefunguje ani svetlo ani ventilátor	Vypálená halogénová žiarovka.	Vymeňte za žiarovku so správnym výkonom.
	Napájací kábel je uvoľnený.	Znova zapojte napájací zdroj.
Výrazné vibrácie zariadenia	List ventilátora je poškodený.	Vypnite zariadenie a nechajte ho opraviť kvalifikovanému servisnému personálu.
	Motor ventilátora nie je pevne upevnený.	Vypnite zariadenie a nechajte ho opraviť kvalifikovanému servisnému personálu.
	Zariadenie nie je správne zavesené na držiaku.	Zložte zariadenie a skontrolujte, či je držiak správne umiestnený.
Sací výkon nie je dobrý	Príliš veľká vzdialenosť medzi jednotkou a plochou na varenie	Znovu upravte vzdialenosť na 65 – 75 cm

Technológia	Wi-Fi
Norma	802.11 b/g/n
Frekvenčné pásmo(a)[MHz]	2400–2483,5 MHz
Maximálny výkon[mW]	100 mW

Produktové informácie o prepojenom zariadení	
spotreba elektrickej energie výrobku v pohotovostnom režime pri pripojení na sieť, ak sú všetky drôtové sieťové porty sú pripojené a všetky bezdrôtové sieťové porty sú aktivované:	2W
Ako aktivovať port bezdrôtovej siete:	Ak bol digestor zaregistrovaný v APLIKÁCIÍ, zapnite digestor a aktivujte bezdrôtový sieťový port.
Ako deaktivovať port bezdrôtovej siete:	Ak bol digestor zaregistrovaný v APLIKÁCIÍ, vypnite digestor a deaktivujte bezdrôtový sieťový port. Ak digestor nebol zaregistrovaný v APLIKÁCIÍ, bezdrôtový sieťový port sa deaktivuje aj pri zapnutom digestore.

ASISTENČNÁ SLUŽBA PRE ZÁKAZNÍKOV

Ak nedokážete identifikovať príčinu nesprávnej prevádzky, vypnite zariadenie a obráťte sa na asistenčnú službu.

SÉRIOVÉ ČÍSLO VÝROBKU. Kde ho môžem nájsť?

Je dôležité, aby ste pracovníkom asistenčnej služby oznámili kód produktu a jeho sériové číslo (16-miestny kód začínajúci číslom 3). Nachádza sa na záručnom liste alebo na štítku s údajmi na zariadení.

Pomôžete tým vyhnúť sa zbytočným výjazdom technikov, a tým (čo je najdôležitejšie) ušetriť príslušné poplatky za výjazdy.



Toto zariadenie je označené podľa európskej smernice 2012/19/EÚ o odpade z elektrických a elektronických zariadení (OEEZ).

OEEZ obsahuje aj znečisťujúce látky (ktoré môžu spôsobiť negatívne dôsledky na životné prostredie) aj základné zložky (ktoré sa môžu opätovne použiť). Je dôležité, aby sa s OEEZ manipulovalo ako so špeciálnym odpadom, aby sa odstránili a správne zlikvidovali všetky znečisťujúce látky a aby sa zhodnotili a recyklovali všetky materiály.

Jednotlivci môžu zohrávať dôležitú rolu pri zabezpečovaní toho, aby sa z OEEZ nestal problém životného prostredia; potrebné je dodržiavať niekoľko základných pravidiel:

S OEEZ sa nesmie manipulovať ako s domovým odpadom;

OEEZ je potrebné odovzdať v príslušných zberných strediskách spravovaných obcou alebo registrovanými spoločnosťami. V mnohých krajinách sa vykonáva vyzdvihnutie veľkého OEEZ v domácnostiach.

V mnohých krajinách môžete pri kúpe nového spotrebiča vrátiť starý predajcovi, ktorý je povinný vyzdvihnúť ho bezplatne systémom jedného starého zariadenia za jedno nové zariadenie ekvivalentného typu a s rovnakými funkciami ako má odovzdávané zariadenie.

MANUAL DO UTILIZADOR E DE INSTALAÇÃO

ÍNDICE

INTRODUÇÃO	116
PRECAUÇÃO DE SEGURANÇA	116
INSTALAÇÃO ELÉTRICA	118
ESPECIFICAÇÃO	119
INSTALAÇÃO (VENTILAÇÃO EXTERIOR)	120
INSTALAÇÃO (VENTILAÇÃO INTERIOR)	127
DESCRIÇÃO DOS COMPONENTES	128
OPERAÇÃO	128
MANUTENÇÃO	131
RESOLUÇÃO DE PROBLEMAS	132
CONFORMIDADE COM AS DIRETIVAS	133
PROTEÇÃO DO AMBIENTE	133

INTRODUÇÃO

Obrigado por escolher este exaustor.

Este manual de instruções foi concebido para lhe fornecer todas as instruções necessárias para a instalação, utilização e manutenção do aparelho.

Para operar a unidade de forma correta e em segurança, leia este manual de instruções cuidadosamente antes da instalação e utilização do aparelho.

O exaustor usa materiais de alta qualidade, e foi concebido com um design dinâmico. Equipado com uma ventoinha centrífuga e um motor elétrico de grande potência, fornece igualmente uma grande potência de aspiração, uma operação de baixo ruído, filtro de gordura antiaderente e instalação de montagem fácil.

Por este motivo, a Candy Hoover Group Srl declara que o equipamento de rádio está em conformidade com a Diretiva 2014/53/UE e com os requisitos estatutários pertinentes (para o mercado do Reino Unido).

O texto integral da declaração de conformidade está disponível no seguinte endereço Internet: www.candy-group.com

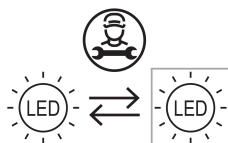
PRECAUÇÃO DE SEGURANÇA

- Nunca permita que crianças operem o aparelho.
- O exaustor é apenas para uso doméstico, não é adequado para churrascos, churrasqueiras ou outros fins comerciais.
- O exaustor e os seus filtros devem ser limpos regularmente para serem mantidos em boas condições de funcionamento.
- Limpe o exaustor de acordo com o manual de instruções e proteja a unidade do perigo de incêndio.
- Proíba cozinhar diretamente a partir do fogão a gás.
- Mantenha uma boa ventilação na divisão da cozinha.
- Antes de ligar este aparelho verifique se o cabo de alimentação não está danificado. O cabo de alimentação deve ser substituído apenas por pessoal de serviço qualificado.
- Deverá existir uma ventilação adequada da divisão quando o exaustor estiver a ser usado ao mesmo tempo que aparelhos a gás ou outros combustíveis;
- O ar não deve ser descarregado num tubo de chaminé utilizado para evacuar fumos de aparelhos que utilizem gás ou outros combustíveis;
- Os regulamentos referentes à descarga de ar têm de ser cumpridos.

- As crianças devem ser supervisionadas para garantir que não brincam com o aparelho.
- Não prepare receitas flambadas por baixo do exaustor.
O exaustor não se destina a ser instalado sobre uma placa com mais de quatro elementos
- Deve haver ventilação adequada na divisão onde o exaustor será utilizado em conjunto com aparelhos que utilizem gás ou outros combustíveis (não aplicável a aparelhos que apenas descarregam ar para a divisão);
- os detalhes relativos ao método e à frequência de limpeza.
- existe o risco de incêndio se a limpeza não for realizada de acordo com as instruções;
- não prepare receitas flambadas por baixo do exaustor;
- CUIDADO: As peças acessíveis podem tornar-se quentes quando usadas com aparelhos para cozinhar.

Perigo de choque elétrico

- ~ Ligue esta unidade a uma tomada com devida ligação de terra.
Em caso de dúvida, informe-se junto de um técnico qualificado.
- ~ No caso de incumprimento destas instruções, isso pode resultar em morte, incêndio ou choque elétrico.



A lâmpada usada neste produto não é adequada para uso na iluminação de uma sala.

O objetivo desta lâmpada é fornecer iluminação para uso do produto.

Instalação elétrica

Todo a instalação tem de ser realizada por uma pessoa competente ou por um electricista qualificado. Antes de ligar a alimentação da rede, certifique-se de que a tensão da rede corresponde à tensão na placa de classificação.

Ligação direta

O aparelho deve ser ligado diretamente à rede elétrica utilizando um disjuntor omnipolar com uma abertura mínima de 3 mm entre os contactos.

O instalador deve certificar-se de que foi efetuada a ligação elétrica correta e que está em conformidade com o diagrama de cablagem. O cabo não deve estar dobrado nem comprimido.


Verifique regularmente a ficha de alimentação e o cabo de alimentação quanto a danos. Se o cabo de alimentação estiver danificado, este deve ser substituído por um cabo ou conjunto especial disponíveis pelo fabricante ou pelo seu agente de serviço.

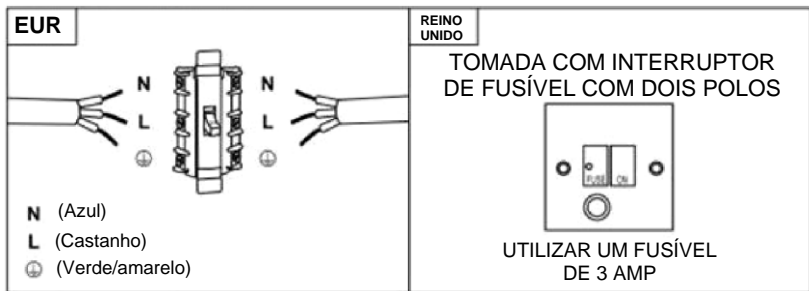
AVISO: Este é um aparelho de classe I e TEM de ser ligado à terra

Este aparelho é fornecido com um cabo de rede de 3 núcleos colorido do seguinte modo:

Castanho = L ou vivo

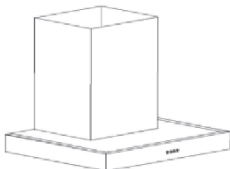
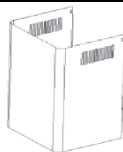
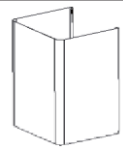


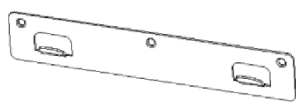





Azul = N ou Neutro

Verde e Amarelo = E ou Terra 



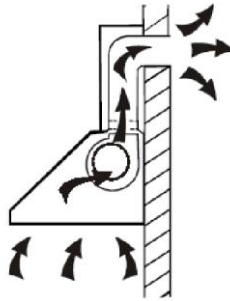
O fusível deve ter a classificação de 3 Amps.

Lista de acessórios de instalação padrão

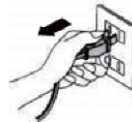
Especificações.	Imagem de ilustração	Qtde
Invólucro		1
Chaminé superior		1
Chaminé inferior		1
Suporte de chaminé inferior		1
Suporte de chaminé superior		1
Tabuleiro de suspensão		1
$\varphi 8$ buchas $\varphi 8 \times \varphi 6$ cor branca		9
Parafusos ST4.0×30		9
parafusos $\varphi 7.2$ ST4.0×8		2
Saída de ar		1
Filtro de carvão		2

INSTALAÇÃO (montagem na parede)

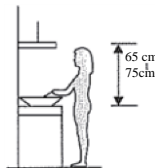
Se tiver uma saída para o exterior, o seu exaustor pode ser ligado como apresentado na imagem a seguir através de um tubo de extração (tubo flexível de esmalte ou alumínio, não inflamável com um diâmetro interior de 150 mm)



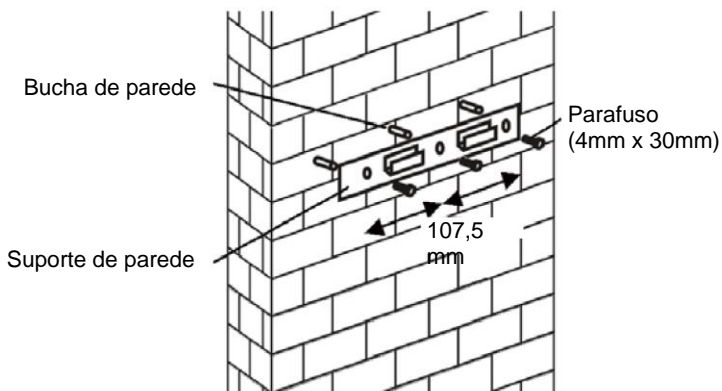
1. Antes de realizar a instalação, desligue a unidade e retire a ficha da tomada.



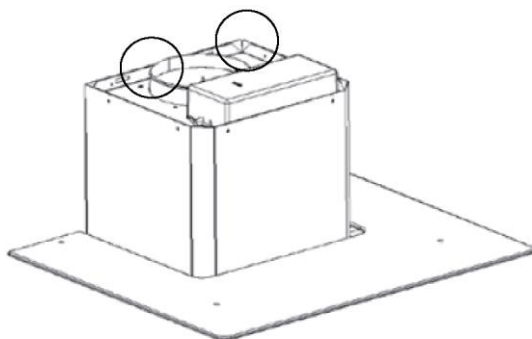
2. O exaustor deve ser colocado a uma distância de 65~75 cm da superfície onde se cozinha para obter um melhor resultado.



3. Faça 3 furos de 8 milímetros para acomodar o suporte. Enrosque e aperte o suporte na parede com os parafusos fornecidos.



4. Levante o exaustor e pendure no gancho do suporte de parede.

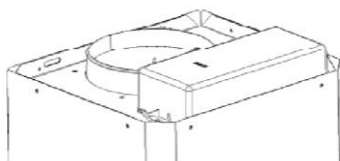


5. Fixe a válvula unidirecional à saída de ar do exaustor. Em seguida, prenda o tubo de escape na válvula unidirecional, como mostrado abaixo.

Tubo de escape

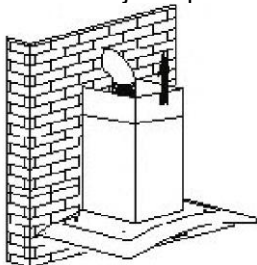


Exaustor

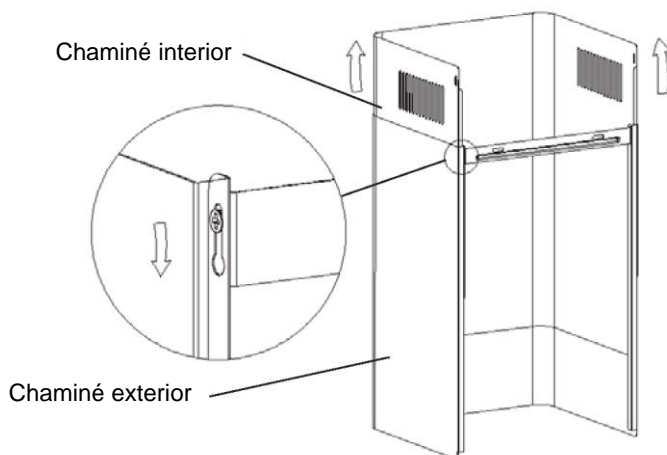


6.

- i. Coloque o vidro na posição adequada sobre o exaustor.
 - ii. Fixe com os 4 parafusos e a anilha. Para evitar a rachar o vidro, não aperte demasiado os parafusos.
-
- i. Coloque a chaminé interior na chaminé exterior. Em seguida, puxe a chaminé interna para cima. Ajuste para alcançar a altura necessária.

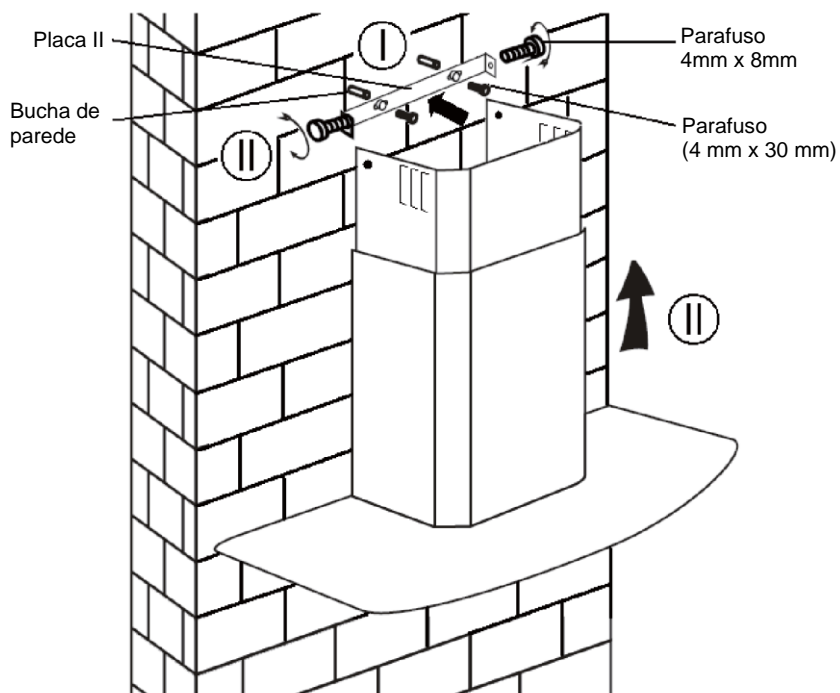


- ii. Deslize a chaminé para ajustar a altura da chaminé. Quando a altura for atingida, pendure o orifício de fixação nos parafusos de fixação conforme mostrado nas imagens em baixo.

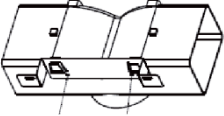
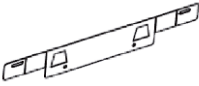





8.

- i. Faça 2 x 8 mm furos para acomodar a placa II. Enrosque e aperte a placa II na parede com os 2 parafusos fornecidos.
- ii. Monte a chaminé na unidade e fixe-a com 2 parafusos.



Lista de acessórios de instalação padrão

Especificações.	Imagem de ilustração	Qtde
Deflector de ar		1
Suporte		1
$\varnothing 8$ buchas $\varnothing 8 \times \varnothing 6$ cor branca		2
Parafusos ST4.0 \times 30		2
Parafusos ST3.5 \times 12		2

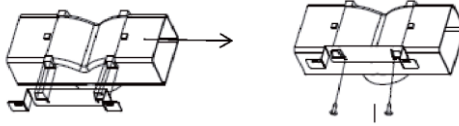
INSTALAÇÃO (DEFLETOR DE AR):

O defletor do ar é mencionado como incluído e não opcional.

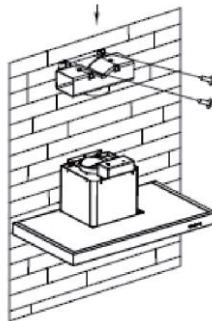
1. Antes da instalação, curve ambas as extremidades do suporte como mostrado abaixo:



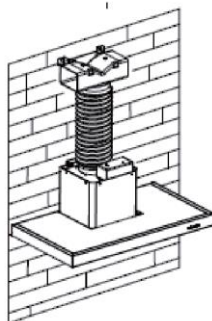
2. Fixe o suporte na saída de plástico em forma de T com 2 parafusos St3.5x12 mm fornecidos.



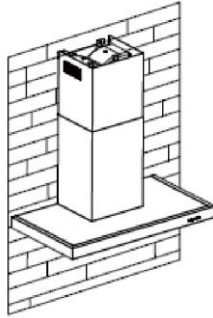
3. Faça 2 furos para acomodar as buchas de parede, em seguida, enrosque e aperte o suporte na parede com 2 parafusos ST4x30mm fornecidos.



4. Encaixe o tubo de escape na saída de ar do exaustor, como mostrado abaixo:



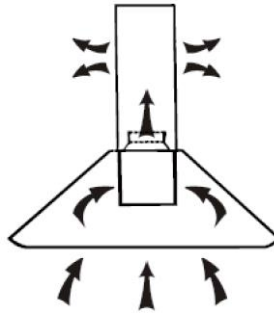
5. Instale a chaminé na unidade e fixe-a.



- “Por favor, tome nota: A saída de plástico em forma de T e as abas em v não podem ser usadas ao mesmo tempo. Pode usá-las de duas maneiras: 1) Adicionar a aba em v à saída existente; 2) Use a tomada de plástico em forma de T, sem adicionar a aba em v.”
- “Nota: O produto é fornecido com um acessório de aba em v. Este acessório não é obrigatório para instalação, operação e uso do produto.”

INSTALAÇÃO (VENTILAÇÃO INTERIOR)

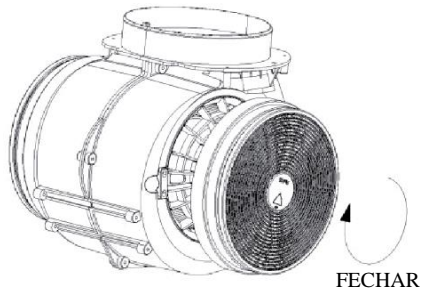
Se não tiver uma saída para o exterior, o tubo de escape não é necessário e a instalação é semelhante ao que aparece na seção "INSTALAÇÃO (VENTILAÇÃO EXTERIOR)".



É possível usar um filtro de carvão ativado para captar odores. Para instalar o filtro de carvão ativado, primeiro é necessário desprender o filtro de gordura. Pressione o fecho e puxe-o para baixo.



Encaixe o filtro de carvão ativado à unidade e rode-o na direção dos ponteiros do relógio. Repita a mesma operação do outro lado.



NOTA:

- *Certifique-se de que o filtro está bem preso. Caso contrário, este pode soltar-se e pode constituir um perigo.*
- *Com um filtro de carvão ativado instalado, o poder de aspiração será reduzido.*

DESCRIÇÃO DOS COMPONENTES

CONFIGURAÇÃO 1

1

2

3

B

B⁺



FUNCIONAMENTO

1

Botão de baixa velocidade

É utilizado para ventilação na cozinha. É usado para cozinhar em lume brando e cozinhados que não libertem muito vapor.

2

Botão de velocidade média

A velocidade do fluxo de ar é ideal para ventilação em cozinha normal.

3

Botão de velocidade alta

Quando é produzida uma elevada densidade de fumo ou vapor, pressione o botão de velocidade alta para ventilação mais eficaz.

B

Boost 1 (velocidade 4)

Prima o botão da velocidade b 1, a retroiluminação do botão B de velocidade está acesa, e o exaustor está a funcionar em modo boost;

B⁺

Boost 2 (velocidade 5)

Prima o botão da velocidade 2, a retroiluminação do botão B⁺ de velocidade B está acesa, e o exaustor está a funcionar em modo boost;



Luz

Premir brevemente para acender e apagar a luz

Temporizador rápido: Mantenha o botão de luz premido durante 3 segundos, os botões de velocidade do ventilador piscam numa contagem decrescente de 5 minutos e após 5 minutos o motor e a luz desligam automaticamente com três sinais sonoros.



Conexão Wi-Fi

Mantenha premido o ícone Wi-Fi e entre no modo de conexão: a retroiluminação do ícone WiFi continua a piscar indicando que a conexão está em curso, a retroiluminação do ícone WiFi fica acesa para indicar que está conectado e o mesmo para o modo de espera; prima o ícone Wi-Fi novamente e a conexão será interrompida;

CONFIGURAÇÃO 2

1

2

3

B



MODO STANDBY.

Depois de ligar, toda a iluminação, o sistema fica em **MODO STANDBY**.

1

Botão de baixa velocidade

É utilizado para ventilação na cozinha. É usado para cozinhar em lume brando e cozinhados que não libertem muito vapor.

2

Botão de velocidade média

A velocidade do fluxo de ar é ideal para ventilação em cozinha normal.

3

Botão de velocidade alta

Quando é produzida uma elevada densidade de fumo ou vapor, pressione o botão de velocidade alta para ventilação mais eficaz.

B

Função booster

Este exaustor tem uma função booster. Para ativar o booster, Prima B para a velocidade 4, entre na velocidade mais alta enquanto o exaustor está em uso e aumente a velocidade durante 5 minutos, antes de desacelerar novamente.



Luz

Premir brevemente para acender e apagar a luz

Temporizador rápido: Mantenha o botão de luz premido durante 3 segundos, os botões de velocidade do ventilador piscam numa contagem decrescente de 5 minutos e após 5 minutos o motor e a luz desligam automaticamente com três sinais sonoros.



Conexão Wi-Fi

Mantenha premido o ícone Wi-Fi e entre no modo de conexão: a retroiluminação do ícone WiFi continua a piscar indicando que a conexão está em curso, a retroiluminação do ícone WiFi fica acesa para indicar que está conectado e o mesmo para o modo de espera; prima o ícone Wi-Fi novamente e a conexão será interrompida;

Descarregar a aplicação hOn



Descarregue primeiro a aplicação hOn e instale-a no seu dispositivo móvel. Em seguida, registre o seu exaustor.



NOTA

Get ready to add your appliance

- 1 Stay close to your appliance
- 2 While in front of your appliance, ensure that your smartphone is connected to a 2.4GHz Wi-Fi network with a stronger signal
CHANGE WI-FI SETTINGS
- 3 Public networks are not allowed due to low security and reliability.
- 4 Prepare to enter your Home Wi-Fi password.

REGISTO DO EXAUSTOR HAIER



A imagem do exaustor tem o único propósito de o apresentar. Pode não ser perfeitamente representativa.

1- Prima o botão WiFi até o ícone começar a piscar. Quando o emparelhamento estiver concluído, o ícone WiFi fica aceso.

MANUTENÇÃO

Antes de limpar desligue o aparelho e retire a ficha da tomada.

I. Limpeza regular

Utilize um pano macio humedecido com água com sabão ligeiramente morna ou com detergente de limpeza doméstico. Nunca utilize peças metálicas, químicos, materiais ou escovas abrasivos para limpar a unidade.

II. Limpeza mensal do filtro de gordura

ESSENCIAL: Limpe o filtro todos os meses para evitar qualquer risco de incêndio.

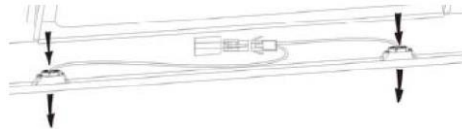
O filtro recolhe gordura, fumos e poeiras pelo que o filtro afeta diretamente a eficiência do exaustor. Se não for limpo, os resíduos de gordura (potencialmente inflamáveis) saturarão o filtro. Limpe-o com um produto detergente de limpeza doméstico.

III. Limpeza anual do filtro de carvão ativado

Aplique APENAS na unidade instalada como uma unidade de recirculação (não ventilada para o exterior). Este filtro captura odores e tem de ser substituído pelo menos uma vez por ano consoante a frequência com que utiliza o exaustor.

IV. Substituir uma lâmpada

Remova os parafusos do vidro, retire o vidro do exaustor. Procure a lâmpada que precisa de ser substituída, vai encontrá-la localizada no candeeiro que está dentro da seção exposta da pala.



Desconecte o ponto da cablagem de luz e remova os casquilhos e a cablagem do exaustor. Importante: Não é possível substituir as lâmpadas individualmente, será necessário obter as lâmpadas, suportes e cabos como uma peça completa. (Luz LED: MÁX 1.5W)

Ajuste as lâmpadas de substituição, os suportes das lâmpadas e a cablagem da mesma forma que os originais. Em seguida, volte a ligar o ponto de cablagem de luz.

Volte a colocar o vidro do exaustor e prenda os parafusos de vidro. Certifique-se de que os parafusos estão apertados completamente.

RESOLUÇÃO DE PROBLEMAS

Problema	Causa	Solução
Luz acesa, mas a ventoinha não funciona	A lâmina da ventoinha está bloqueada.	Desligue a unidade e deixe a reparação do aparelho apenas a cargo de pessoal de serviço qualificado.
	O motor está danificado.	
A luz e a ventoinha não trabalham	Lâmpada de halógeno fundida.	Substitua a lâmpada por uma de classificação correta.
	O cabo de alimentação está solto.	Volte a ligá-lo à fonte de alimentação.
Vibração acentuada da unidade	A lâmina da ventoinha está danificada.	Desligue a unidade e deixe a reparação do aparelho apenas a cargo de pessoal de serviço qualificado.
	O motor da ventoinha não está bem preso.	Desligue a unidade e deixe a reparação do aparelho apenas a cargo de pessoal de serviço qualificado.
	A unidade não está pendurada corretamente no suporte.	Retire a unidade e verifique se o suporte está no local correto.
O desempenho de sucção não é bom	Existe uma distância demasiado longa entre a unidade e a superfície para cozinhar	Reajuste a distância para 65 a 75 cm

Tecnologia	Wi-Fi
Standard	802.11 b/g/n
Banda(s) de frequência [MHz]	2400 MHz - 2483.5 MHz
Potência máxima [mW]	100 mW

Informação sobre o produto para equipamentos em rede	
o consumo de potência do produto com a rede em standby, se todas as portas de rede estiverem ligadas e todas as portas de rede wireless estiverem ativadas:	2W
Como ativar a porta de rede wireless:	Se o exaustor tiver sido registado na APP, ligue o exaustor para ativar a porta de rede wireless.
Como desativar a porta de rede wireless:	Se o exaustor tiver sido registado na aplicação, ligue o exaustor para desativar a porta de rede wireless. Se o exaustor não tiver sido registado na aplicação, a porta da rede wireless ficará desativada, mesmo que o exaustor esteja ligado.

SERVIÇO DE ASSISTÊNCIA AO CLIENTE

Se não conseguir identificar a causa da anomalia de operação, desligue o aparelho e contacte o Serviço de Assistência.

NÚMERO DE SÉRIE DO PRODUTO. Onde posso encontrá-lo?

É importante que informe o Serviço de Assistência do seu código de produto e o seu número de série (um código de 16 caracteres que começa com o número 3); este pode ser encontrado no certificado de garantia ou na placa de dados localizada no aparelho.

Ajuda a evitar viagens deslocações desnecessárias dos técnicos, poupando assim as taxas de chamada correspondentes.

Este aparelho está marcado de acordo com a Diretiva europeia 2012/19/CE sobre resíduos de equipamentos elétricos e eletrónicos (REEE).



Os REEE contêm substâncias poluentes (que podem causar consequências negativas para o ambiente) e componentes básicos (que podem ser reutilizados). É importante que os REEE sejam submetidos a tratamentos específicos, de maneira a remover e eliminar adequadamente todos os poluentes, e recuperar e reciclar todos os materiais. Os indivíduos têm um papel importante ao assegurar que os REEE não se tornam num problema ambiental, sendo essencial seguir algumas regras básicas:

Os REEE não devem ser tratados como resíduos domésticos;

Os REEE devem ser entregues nos pontos de recolha relevantes geridos pelo município ou por companhias registadas. Em muitos países pode estar disponível a recolha casa-a-casa, para REEE de grandes dimensões.

Em muitos países, ao comprar um novo aparelho, o antigo pode ser devolvido ao comerciante que tem de o recolher sem qualquer custo, um-para-um, desde que o equipamento seja de tipo equivalente e tenha as mesmas funções que o equipamento fornecido.

EINBAU- UND BEDIENUNGSANLEITUNG

INHALT

EINLEITUNG	135
SICHERHEITSVORKEHRUNG	135
ELEKTRISCHER ANSCHLUSS	137
SPEZIFIKATION	138
INSTALLATION (ABLUFT NACH DRAUSSEN)	139
INSTALLATION (ABLUFT NACH INNEN)	146
BESCHREIBUNG DER KOMPONENTEN	147
BETRIEB	147
WARTUNG	150
FEHLERSUCHE	151
VEREINBARKEIT MIT DEN RICHTLINIEN	152
UMWELTSCHUTZ	152

EINLEITUNG

Vielen Dank, dass Sie sich für diese Abzugshaube entschieden haben.

Diese Bedienungsanleitung enthält notwendigen Anleitungen für die Installation, die Bedienung und die Wartung des Gerätes.

Lesen Sie diese Bedienungsanleitung vor der Installation und Benutzung bitte durch, damit das Gerät richtig und sicher bedient werden kann.

Diese Abzugshaube ist auch hochwertigen Werkstoffen und in einer schlanken Bauweise gefertigt. Ausgestattet mit einem großen, starken Elektromotor und einem Zentrifugalgebläse bietet sie starke Saugleistung, geräuscharmen Betrieb, einen austauschbaren Fettfilter sowie die einfache Montage.

Hiermit erklärt die Candy Hoover Group Srl, dass die Funkausstattung der Richtlinie 2014/53/EU und den einschlägigen gesetzlichen Anforderungen (für den UKCA-Markt) entspricht.

Der vollständige Text der Konformitätserklärung ist unter der folgenden Internet-Adresse verfügbar: www.candy-group.com

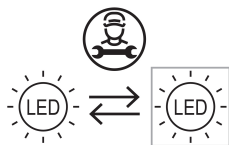
SICHERHEITSVORKEHRUNGEN

- Kinder dürfen das Gerät niemals bedienen.
- Die Abzugshaube ist für den Hausgebrauch und nicht für Grill-Restaurants, Großküchen oder sonstigen gewerblichen Gebrauch geeignet.
- Die Abzugshaube und ihr Filter sollten regelmäßig gereinigt werden, damit sie in einem guten Zustand bleibt.
- Reinigen Sie die Abzugshaube gemäß den Angaben in dieser Bedienungsanleitung und vermeiden Sie Brandgefahr für das Gerät.
- Direktes Backen auf dem Gasherd ist untersagt.
- Für gute Be- und Entlüftung der Küche sorgen.
- Vergewissern Sie sich, dass das Stromkabel nicht beschädigt ist, bevor Sie das Gerät anschließen. Der Austausch eines defekten Stromkabels muss qualifiziertem Kundendienstpersonal vorbehalten sein.
- Für ausreichende Belüftung sorgen, wenn die Abzugshaube zusammen mit Geräten betrieben wird, die Gas oder Benzin verbrennen.
- Die Abluft sollte nicht in einen Rauchfang geleitet werden, der auch für die Abgase einer Gas- oder Ölheizung verwendet wird.
- Vorschriften zur Abluft müssen befolgt werden.

- Kinder sollten beaufsichtigt werden, um sicherzustellen, dass sie nicht mit dem Gerät spielen.
- Keine Gerichte unter der Abzugshaube flambieren.
Die Dunstabzugshaube ist nicht für die Montage über einem Herd mit mehr als vier Kochfeldern ausgelegt.
- Für ausreichende Belüftung sorgen, wenn die Abzugshaube zusammen mit Geräten betrieben wird, die Gas oder Benzin verbrennen (gilt nicht für Geräte, die die abgesaugte Luft zurück in den Raum leiten).
- Eine detaillierte Anweisung zur Reinigung und deren Häufigkeit.
- Es besteht ein Brandrisiko, wenn die Reinigung nicht entsprechend dieser Anweisungen durchgeführt wird.
- Keine Gerichte unter der Abzugshaube flambieren;
- VORSICHT: Es kann sein, dass bestimmte Teile der Abzugshaube beim Kochen heiß werden.

Gefahr von Stromschlägen

- ~ Dieses Gerät nur mit einer richtig geerdeten Steckdose verbinden. Wenden Sie sich im Zweifel an einen Fachelektriker.
- ~ Bei Zuwiderhandlung besteht Lebensgefahr, Brandgefahr oder Elektroschlaggefahr.



Die in diesem Produkt verwendete Lampe ist nicht für die Beleuchtung eines Raumes geeignet.

Der Zweck dieser Lampe ist die Beleuchtung für die Verwendung des Produkts.

Elektrischer Anschluss

Sämtliche Anschlüsse müssen durch einen Fachmann oder qualifizierten Elektriker vorgenommen werden. Vergewissern Sie sich vor dem Anschluss an das Stromnetz, dass die Netzspannung mit der auf dem Typenschild angegebenen Spannung übereinstimmt.

Direkter Anschluss

Das Gerät muss mit einem allpoligen Leistungsschalter mit einer Mindestöffnung von 3 mm zwischen den Kontakten direkt an das Stromnetz angeschlossen werden.

Der Installateur muss sicherstellen, dass der Stromanschluss korrekt hergestellt wurde und dem Verdrahtungsplan und den Sicherheitsvorschriften entspricht.

Das Netzkabel darf nicht geknickt oder gequetscht werden.

Überprüfen Sie den Netzstecker und das Netzkabel regelmäßig auf Beschädigungen. Wenn das Netzkabel beschädigt ist, muss es durch ein vom Hersteller oder von seinem Service-Mitarbeiter empfohlenes ausgetauscht werden.

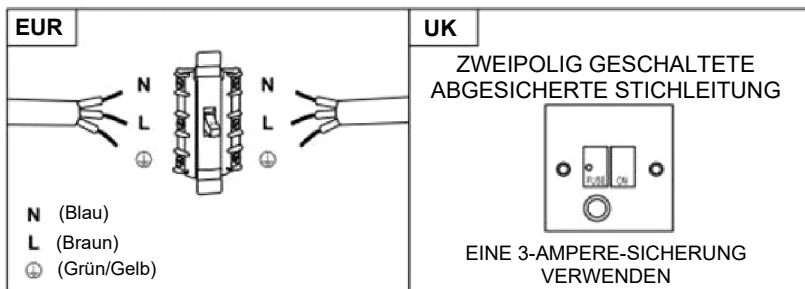
WARNUNG: Dies ist ein Gerät der Klasse I und MUSS geerdet werden.

Dieses Gerät wird mit einem 3-adrigen Netzkabel geliefert, das wie folgt gefärbt ist:

Braun = L oder Spannungsführender Draht

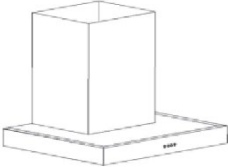
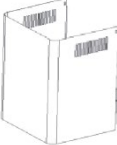
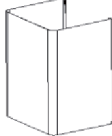


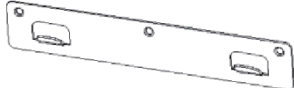





Blau = N oder Neutralleiter

Grün und Gelb = E oder Erdung (⊕)



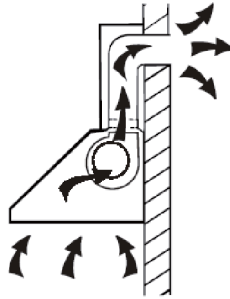
Die Sicherung muss für 3 Ampere ausgelegt sein.

Standardmäßiges Montagezubehör

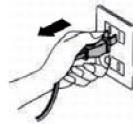
Spez.	Abbildung	Menge
Gehäuse		1
Oberer Abzug		1
Unterer Abzug		1
Untere Abzugshalterung		1
Obere Abzugshalterung		1
Aufhängeblech		1
φ8 Dübel φ8×φ6 Weiß		9
Schrauben ST4,0×30		9
φ7,2Schrauben ST4,0×8		2
Luftauslass		1
Kohlefilter		2

INSTALLATION (Wandmontage)

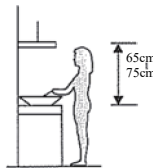
Wenn eine Maueröffnung nach draußen vorhanden ist, kann die Abzugshaube wie unten gezeigt über einen Abluftkanal (Emaile, Aluminium, flexibles Rohr aus unbrennbarem Material mit einem Innendurchmesser von 150 mm) an diese angeschlossen werden.



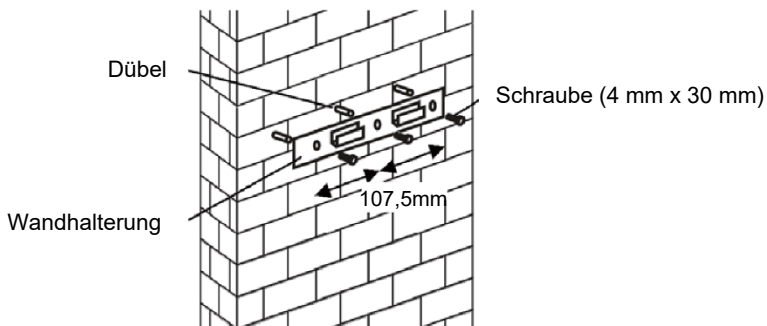
1. Schalten Sie vor der Installation das Gerät aus und ziehen Sie den Netzstecker.



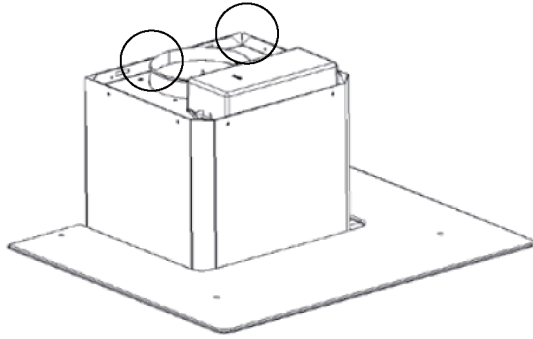
2. Die Abzugshaube sollte für eine optimale Leistung 65-75 cm über der Kochfläche aufgehängt werden.



3. Bohren Sie die 3 x 8-mm-Löcher für die Aufnahme der Halterung. Verschrauben Sie die Halterung mit den beiliegenden Schrauben fest in der Wand.



4. Heben Sie die Abzugshaube an und hängen Sie sie in die Wandhalterung ein.

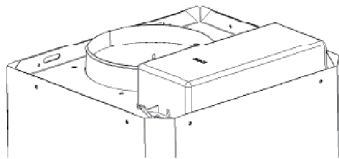


5. Befestigen Sie das Ein-Wege-Ventil am Luftauslass der Abzugshaube. Verbinden Sie dann das Abluftrohr, wie nachstehend angezeigt, mit dem Ein-Wege-Ventil.

Abluftrohr

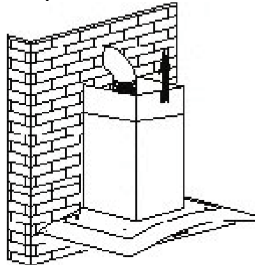


Abzugshaube

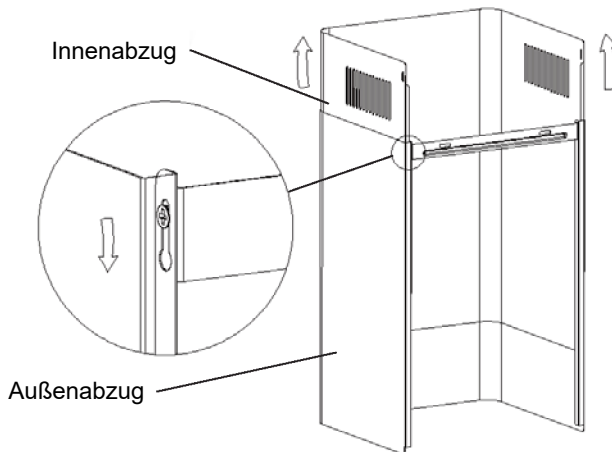


6.

- i. Setzen Sie die Glasscheibe in der entsprechen Position oben auf der Abzugshaube ein.
 - ii. Mit vier (4) Schrauben und Unterlegscheibe befestigen. Die Schrauben nicht zu fest anziehen, um Risse in der Glasscheibe zu vermeiden.
-
- i. Stecken Sie den inneren in den äußeren Abzugskanal. Dann den inneren Abzug nach oben heraus ziehen. Entsprechend der gewünschten Höhe anpassen.

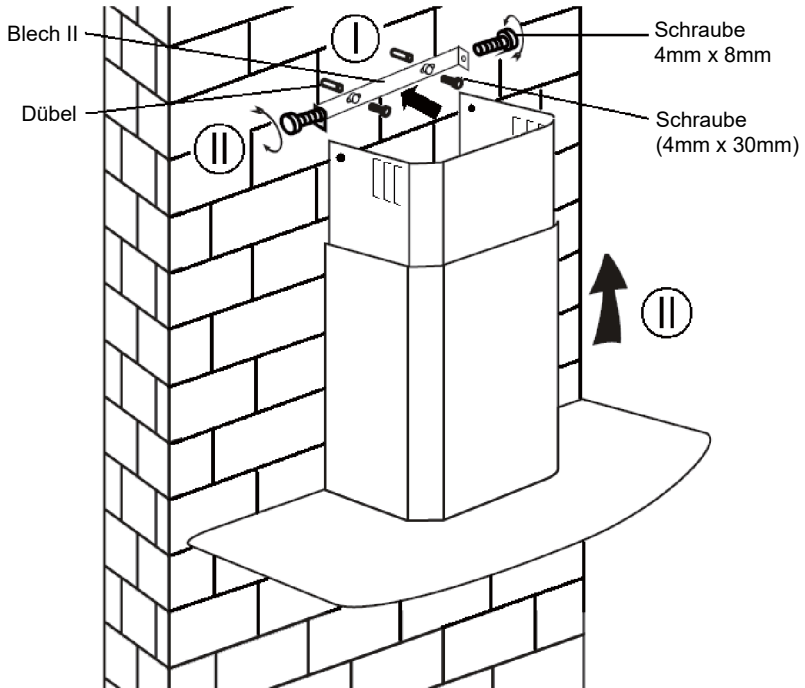


- ii. Den Abzug schieben, um die Abzugshöhe anzupassen. Sobald die erforderliche Höhe erreicht ist, hängen Sie die Befestigungsöffnung, wie in den nachstehenden Abbildung gezeigt, in die Befestigungsschraube ein.

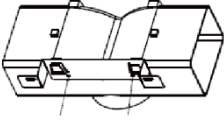
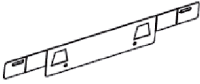





8.

- i. Bohren Sie 2 x 8-mm-Löcher für die Aufnahme von Blech II. Verschrauben Sie Blech II mit den beiden (2) beiliegenden Schrauben fest in der Wand.
- ii. Montieren Sie den Abzug an der Haube und befestigen Sie ihn mit zwei (2) Schrauben.



Standardmäßiges Montagezubehör

Spez.	Abbildung	Menge
Windabweiser		1
Halterung		1
φ8 Dübel φ8×φ6 Weiß		2
Schrauben ST4,0x30		2
Schrauben ST3,5x12		2

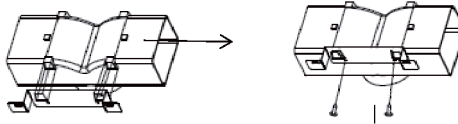
MONTAGE (WINDABWEISER):

Der Windabweiser gilt als im Lieferumfang enthalten und nicht als optional.

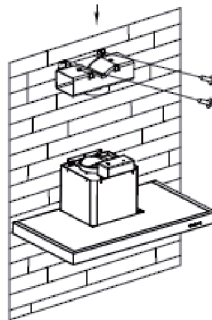
1. Biegen Sie vor der Montage beide Enden der Halterung wie unten dargestellt:



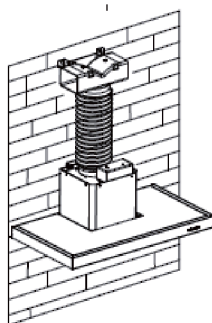
2. Befestigen Sie die Halterung mit 2 mitgelieferten Schrauben (ST3,5x12 mm) am T-förmigen Kunststoffabzug.



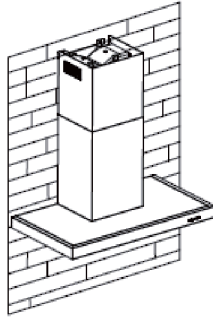
3. Bohren Sie 2 Löcher für die Dübel und schrauben Sie die Halterung mit 2 mitgelieferten Schrauben (ST4x30 mm) an der Wand fest.



4. Befestigen Sie das Abluftrohr wie unten gezeigt am Luftauslass der Dunstabzugshaube:



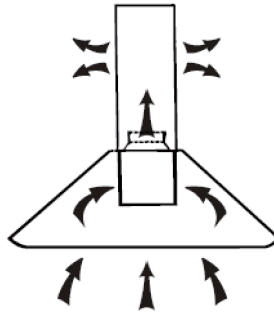
5. Montieren Sie den Abzug an der Haube und befestigen Sie ihn.



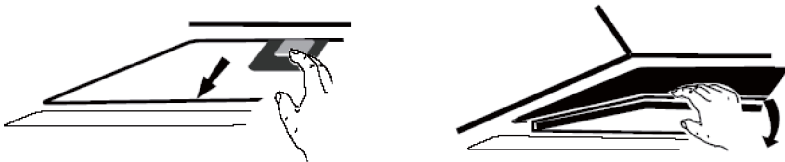
- „Bitte beachten Sie: Der T-förmige Kunststoffauslass und die V-Klappen können nicht gleichzeitig verwendet werden. Sie können sie auf zwei verschiedene Arten nutzen: 1) V-Klappe am vorhandenen Auslass anbringen; 2) T-förmigen Kunststoffauslass verwenden und keine V-Klappe anbringen.“
- „Hinweis: Das Produkt ist mit einem V-Klappen-Zubehör ausgestattet. Dieses Zubehör ist für die Installation, den Betrieb und die Verwendung des Produkts nicht zwingend erforderlich.“

INSTALLATION (ABLUFT NACH INNEN)

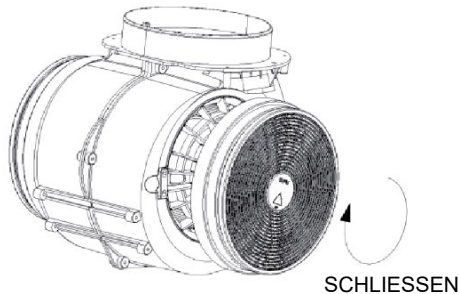
Wenn Sie keinen Abzug ins Freie haben, wird das Abluftrohr nicht benötigt. Die Montage ist der im Abschnitt „INSTALLATION (ABLUFT NACH DRAUSSEN)“ beschriebenen vergleichbar.



Aktivkohlefilter schließen unangenehme Gerüche ein. Bevor der Aktivkohlefilter installiert wird, muss zuerst der Fettfilter abgenommen werden. Die Sperre drücken und nach unten ziehen.



Den Aktivkohlefilter in das Gerät einstecken und im Uhrzeigersinn drehen. Den Vorgang auf der anderen Seite wiederholen.



HINWEIS:

- Prüfen Sie, ob der Filter sicher verankert ist. Anderenfalls kann er herausfallen und gefährliche Unfälle verursachen.
- Bei Verwendung eines Aktivkohlefilters wird die Absaugkraft herabgesetzt.

BESCHREIBUNG DER KOMPONENTEN

KONFIGURATION 1

1

2

3

B

B⁺



BETRIEB

1

Taste „Niedrige Geschwindigkeit“

Für die Belüftung der Küche. Geeignet für das Sieden und Garen mit geringer Dunstentwicklung.

2

Taste „Mittlere Geschwindigkeit“

Die ideale Luftstromgeschwindigkeit während normalem Kochen/Garen.

3

Taste „Hohe Geschwindigkeit“

Wenn viel Dampf oder dichter Dunst erzeugt wird, drücken Sie die Taste „Hohe Geschwindigkeit“ für die höchste Abluftleistung.

B

Boost 1 (Geschwindigkeit 4)

Drücken Sie die Geschwindigkeitstaste B 1, die Hintergrundbeleuchtung der Taste leuchtet auf, und die Dunstabzugshaube arbeitet im Boost-Modus.

B⁺

Boost 2 (Geschwindigkeit 5)

Drücken Sie die Geschwindigkeitstaste B 2, die Hintergrundbeleuchtung der Taste leuchtet auf, und die Dunstabzugshaube arbeitet im Boost-Modus.



Beleuchtung

Kurzes Drücken, um Beleuchtung an- und auszuschalten

Schnell-Timer: Drücken Sie die Lichttaste 3 Sekunden lang. Die Tasten für die Gebläsegeschwindigkeit blinken und zählen bis zu 5 Minuten herunter, nach 5 Minuten schalten sich der Motor und das Licht automatisch aus und es ertönt ein dreimaliger Signalton.



Verbindung mit dem WLAN

Drücken Sie lange das WLAN-Symbol und öffnen Sie in den Verbindungsmodus: Die Hintergrundbeleuchtung des WLAN-Symbols blinkt und zeigt an, dass die Verbindung hergestellt wird. Wenn die Hintergrundbeleuchtung des WLAN-Symbols leuchtet, wurde die Verbindung hergestellt. Dasselbe gilt für den Standby-Modus; drücken Sie erneut lange auf das WLAN-Symbol und die Verbindung wird beendet.

KONFIGURATION 2

1

2

3

B



STANDBY-MODUS.

Nach der Verbindung mit der Stromquelle ist das Gerät **im STANDBY-MODUS**.

1 Taste „Niedrige Geschwindigkeit“

Für die Belüftung der Küche. Geeignet für das Sieden und Garen mit geringer Dunstentwicklung.

2 Taste „Mittlere Geschwindigkeit“

Die ideale Luftstromgeschwindigkeit während normalem Kochen/Garen.

3 Taste „Hohe Geschwindigkeit“

Wenn viel Dampf oder dichter Dunst erzeugt wird, drücken Sie die Taste „Hohe Geschwindigkeit“ für die höchste Abluftleistung.

B Booster-Funktion

Diese Haube hat eine Booster-Funktion. Um den Booster zu aktivieren, drücken Sie B bis zur höchsten Geschwindigkeit 4. Während die Haube in Betrieb ist, wird die Geschwindigkeit 5 Minuten lang erhöht, bevor sie sich wieder verlangsamt wird.



Beleuchtung

Kurzes Drücken, um Beleuchtung an- und auszuschalten

Schnell-Timer: Drücken Sie die Lichttaste 3 Sekunden lang. Die Tasten für die Gebläsegeschwindigkeit blinken und zählen bis zu 5 Minuten herunter, nach 5 Minuten schalten sich der Motor und das Licht automatisch aus und es ertönt ein dreimaliger Signalton.



Verbindung mit dem WLAN

Drücken Sie lange das WLAN-Symbol und öffnen Sie in den Verbindungsmodus: Die Hintergrundbeleuchtung des WLAN-Symbols blinkt und zeigt an, dass die Verbindung hergestellt wird. Wenn die Hintergrundbeleuchtung des WLAN-Symbols leuchtet, wurde die Verbindung hergestellt. Dasselbe gilt für den Standby-Modus; drücken Sie erneut lange auf das WLAN-Symbol und die Verbindung wird beendet.

Laden Sie die hOn-App herunter



Laden Sie zunächst die hOn-APP herunter und installieren Sie sie auf Ihrem Handy oder Tablet. Dann melden Sie Ihre Dunstabzugshaube an.



HINWEIS

Get ready to add your appliance

- 1 Stay close to your appliance
- 2 While in front of your appliance, ensure that your smartphone is connected to a 2.4GHz Wi-Fi network with a stronger signal
[CHANGE WI-FI SETTINGS](#)
- 3 Public networks are not allowed due to low security and reliability.
- 4 Prepare to enter your Home Wi-Fi password.

REGISTRIERUNG DER HAIER-DUNSTABZUGSHAUBE



Die Abbildung der Dunstabzugshaube dient nur zu Illustrationszwecken. Sie weicht möglicherweise vom gekauften Produkt ab.

- 1- Drücken Sie die WLAN-Taste, bis das Symbol zu blinken beginnt.
Wenn die Kopplung abgeschlossen ist, leuchtet das WLAN-Symbol.

WARTUNG

Vor der Reinigung muss das Gerät ausgeschaltet und der Stecker gezogen werden.

I. Regelmäßige Reinigung

Verwenden Sie ein weiches Tuch, angefeuchtet mit handwarmem, milden Seifenwasser oder einem Haushaltsreiniger. Das Gerät niemals mit Metallpads, Chemikalien, Scheuermitteln oder einer harten Bürste reinigen.

II. Monatliche Reinigung des Fettfilters

WICHTIG: Um Brandgefahr zu vermeiden, sollte der Filter monatlich gereinigt werden.

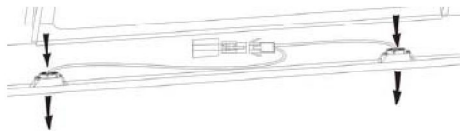
Im Filter sammeln sich Fett, Rauch und Staub... somit wirkt der Filter sich direkt auf die Leistung der Abzugshaube aus. Wenn er nicht gereinigt wird, verstopfen (möglicherweise entzündliche) Fettrückstände den Filter. Reinigen Sie ihn mit Haushaltsreiniger.

III. Jährliche Reinigung des Aktivkohlefilters

AUSSCHLIESSLICH für Geräte, die als Umlufthauben montiert sind (keine Entlüftung ins Freie). Der Filter beseitigt Gerüche und muss, abhängig von der Häufigkeit der Verwendung des Herds, mindestens einmal jährlich ausgetauscht werden.

IV. Wechseln der Glühbirne

Die Schrauben am Glas lösen und das Glas abnehmen. Ermitteln Sie die Glühbirne, die ausgetauscht werden muss. Sie befindet sich in dem Beleuchtungskörper im freigelegten Bereich des Abzugs.



Lösen Sie die Verkabelung und nehmen Sie die Leuchtenhalter und das Kabel aus der Haube. Wichtig: Die Glühbirnen können nicht einzeln ausgetauscht werden, das heißt, Glühbirnen, Halter und Verkabelung müssen als kompletter Satz ausgetauscht werden. (LED-Beleuchtung: MAX. 1,5 W).

Montieren Sie die Ersatzbirnen, Halter und Verkabelung entsprechend den Originalteilen. Schließen Sie die Verkabelung dann wieder an.

Die Glashaube wieder einsetzen und mit den Glasschrauben verschrauben.
Die Schrauben müssen vollständig angezogen sein.

FEHLERSUCHE

Fehler	Ursache	Lösung
Licht an, aber Gebläse läuft nicht.	Gebläseschaukel blockiert.	Das Gerät ausschalten; die Reparatur muss qualifiziertem Kundendienstpersonal vorbehalten sein.
	Der Motor ist beschädigt.	
Beide Lichter an, aber Gebläse läuft nicht.	Halogenbirne durchgebrannt.	Gegen eine Birne mit identischer Leistung austauschen.
	Stromkabel lose.	In die Steckdose einstecken.
Starke Vibrationen des Gerätes.	Gebläseschaukel beschädigt.	Das Gerät ausschalten; die Reparatur muss qualifiziertem Kundendienstpersonal vorbehalten sein.
	Gebläsemotor nicht richtig befestigt.	Das Gerät ausschalten; die Reparatur muss qualifiziertem Kundendienstpersonal vorbehalten sein.
	Die Haube ist nicht richtig in die Halterung eingehängt.	Die Haube abnehmen und die Position der Halterung überprüfen.
Schlechte Absaugleistung.	Distanz zwischen Gerät und Kochfeld zu groß.	Distanz neu anpassen: 65 bis 75 cm.

Technologie	WLAN
Standard	802.11 b/g/n
Frequenzbandbereich(e) [MHz]	2400 MHz - 2483,5 MHz
Maximale Leistung [mW]	100 mW

Produktinformationen für vernetzte Geräte	
Stromverbrauch des Produkts im vernetzten Standby-Modus, wenn alle verkabelten Netzwerkanschlüsse verbunden und alle drahtlosen Netzwerkanschlüsse aktiviert sind:	2W
So aktivieren Sie einen drahtlosen Netzwerkanschluss:	Wenn die Haube mit der APP angemeldet wurde, schalten Sie sie ein, um den drahtlosen Netzwerkanschluss zu aktivieren.
So deaktivieren Sie einen drahtlosen Netzwerkanschluss:	Wenn die Haube mit der APP angemeldet wurde, schalten Sie sie aus, um den drahtlosen Netzwerkanschluss zu deaktivieren. Wenn die Haube nicht mit der APP angemeldet wurde, wird der drahtlose Netzwerkanschluss deaktiviert, auch wenn die Haube eingeschaltet ist.

KUNDENDIENST

Falls Sie die Ursache des Fehlers nicht ermitteln können, schalten Sie das Gerät bitte aus und wenden Sie sich an den Kundendienst.

PRODUKT-SERIENNUMMER Wo finde ich sie?

Es ist wichtig, dass Sie dem Kundendienst Ihren Produktcode und die Seriennummer nennen (ein 16-stelliger Code, der mit „3“ beginnt).

Diese Angaben können Sie der Garantiekarte oder dem Typenschild am Gerät entnehmen.

Auf diese Weise werden unnötiger Aufwand für die Techniker und (am Wichtigsten) unnötige Telefon-/Kommunikationskosten vermieden.

Dieses Elektrohaushaltsgerät ist entsprechend der EU-Richtlinie 2012/19/CE über Elektro- und Elektronik-Altgeräte (WEEE) gekennzeichnet.



Elektro- und Elektronik-Altgeräte enthalten umweltschädigende Substanzen, aber auch Grundkomponenten, die

wiederverwendet werden können. Daher ist es wichtig, Elektro- und Elektronik-Altgeräte spezifisch zu entsorgen, um alle schädlichen Substanzen zu entfernen und wiederverwendbare Teile zu recyceln.

Verbraucher leisten einen wichtigen Beitrag zur Gewährleistung, dass Elektro- und Elektronik-Altgeräte nicht zu einem Umweltproblem werden. Halten Sie sich daher bitte an die folgenden Grundregeln:

Elektro- und Elektronik-Altgeräte dürfen nicht mit dem normalen Hausmüll entsorgt werden.

Elektro- und Elektronik-Altgeräte müssen bei zugelassenen Sammelstellen abgegeben werden, die von der Stadtverwaltung oder anderen zuständigen Stellen verwaltet werden. In vielen Ländern wird für die Entsorgung großer Elektro- und Elektronik-Altgeräte ein Abholservice angeboten.

Beim Kauf eines neuen Geräts wird das alte möglicherweise vom Händler zurückgenommen, der es kostenfrei entsorgt, sofern das neue Gerät von einem ähnlichen Typ ist und die gleiche Funktion erfüllt wie das Altgerät.

INSTRUKCJA OBSŁUGI I INSTALACJI

SPIS TREŚCI

WPROWADZENIE	154
ŚRODKI OSTROŻNOŚCI	154
INSTALACJA ELEKTRYCZNA	156
SPECYFIKACJA TECHNICZNA	157
INSTALACJA (OBIEG OTWARTY)	158
INSTALACJA (OBIEG ZAMKNIĘTY)	165
OPIS FUNKCJI PANELU STEROWANIA	166
DZIAŁANIE	166
KONSERWACJA	169
ROZWIĄZYWANIE PROBLEMÓW	170
OCHRONA ŚRODOWISKA	171

WSTĘP

Dziękujemy za wybranie naszego okapu kuchennego.

Niniejsza instrukcja obsługi zawiera wszystkie wymagane instrukcje dotyczące montażu, użytkowania i konserwacji urządzenia.

Aby zapewnić prawidłową i bezpieczną obsługę urządzenia, przed jego instalacją i użytkowaniem należy dokładnie zapoznać się z niniejszą instrukcją obsługi.

Okap wykonany jest z wysokiej jakości materiałów i cechuje się optywowym wzornictwem. Wyposażony w silnik elektryczny o dużej mocy i wentylator odśrodkowy, zapewnia również dużą siłę ssania, cichą pracę, filtr tłuszczu zapobiegający przywieraniu i łatwy montaż.

Niniejszym Candy Hoover Group Srl oświadcza, że sprzęt radiowy jest zgodny z Dyrektywą 2014/53/UE oraz z odpowiednimi wymogami ustawowymi (dla rynku UKCA).

Pełny tekst deklaracji zgodności dostępny jest na stronie internetowej pod następującym adresem: www.candy-group.com

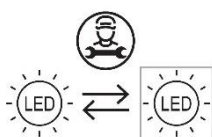
ŚRODKI OSTROŻNOŚCI

- Nigdy nie pozwalać dzieciom obsługiwać urządzenia.
- Okap kuchenny jest przeznaczony wyłącznie do użytku domowego, nie nadaje się do grillowania, punktu gastronomicznego z daniami pieczonymi i innych celów komercyjnych.
- Aby utrzymać okap kuchenny w dobrym stanie technicznym, należy regularnie czyścić okap i filtr.
- Oczyszczyć okap zgodnie z instrukcją obsługi i chronić urządzenie przed niebezpieczeństwem przypalenia.
- Zabrania się bezpośredniego pieczenia na kuchence gazowej.
- W kuchni należy zapewnić odpowiednią wentylację.
- Przed podłączeniem urządzenia należy sprawdzić, czy przewód zasilający nie jest uszkodzony. Uszkodzony przewód zasilający może być wymieniany wyłącznie przez wykwalifikowany personel serwisowy.
- W przypadku gdy okap kuchenny jest używany w tym samym czasie co urządzenia spalające gaz lub inne paliwa, musi być zapewniona odpowiednia wentylacja pomieszczenia;
- Nie wolno odprowadzać powietrza do przewodu kominowego wykorzystywanego do odprowadzania spalin z urządzeń spalających gazy lub inne paliwa;
- Należy zachować zgodność z przepisami dotyczącymi odprowadzania powietrza.

- Należy pilnować dzieci, aby nie bawiły się urządzeniem.
- Nie należy zbliżać płomienia do okapu kuchennego;
Okap kuchenny nie jest przeznaczony do montażu nad płytą grzewczą posiadającą więcej niż cztery elementy płyty grzewczej
- W przypadku gdy okapy używane są w tym samym czasie co urządzenia spalające gaz lub inne paliwa, musi być zapewniona odpowiednia wentylacja pomieszczenia (nie dotyczy urządzeń, które wyłącznie odprowadzają powietrze do pomieszczenia);
- szczególne informacje na temat metody i częstotliwości czyszczenia.
- jeżeli czyszczenie nie odbywa się zgodnie z instrukcjami, istnieje zagrożenie pożarowe;
- Nie zbliżać płomienia do okapu nadkuchennego;
- OSTROŻNIE: Dostępne części mogą się nagrzewać podczas używania z urządzeniami do gotowania.

Zagrożenie porażeniem prądem elektrycznym

- ~ Urządzenie należy podłączać wyłącznie do odpowiednio uziemionego gniazdka. W razie wątpliwości należy skonsultować się z odpowiednio wykwalifikowanym technikiem.
- ~ Nieprzestrzeganie tych instrukcji może spowodować śmierć, pożar lub porażenie prądem elektrycznym.



Lampa zastosowana w tym produkcie nie nadaje się do oświetlenia pomieszczenia.

Zadaniem tej lampy jest zapewnienie oświetlenia podczas użytkowania produktu.

Instalacja elektryczna

Cała instalacja musi być wykonana przez kompetentną osobę lub wykwalifikowanego elektryka. Przed podłączeniem zasilania sieciowego upewnij się, że napięcie sieciowe odpowiada napięciu na tabliczce znamionowej.

Bezpośrednie podłączenie do zasilania

Urządzenie należy podłączyć bezpośrednio do zasilania za pomocą wyłącznika wielobiegunowego z minimalnym odstępem 3 mm między stykami.

Instalator musi upewnić się, że połączenie elektryczne wykonano prawidłowo, i że jest ono zgodne ze schematem elektrycznym. Kabel nie może być zgięty ani przygnieciony.

Regularnie sprawdzaj wtyczkę i przewód zasilający pod kątem uszkodzeń. Jeśli przewód zasilający jest uszkodzony, należy go wymienić na specjalny przewód lub zestaw dostępny u producenta lub jego przedstawiciela serwisowego.

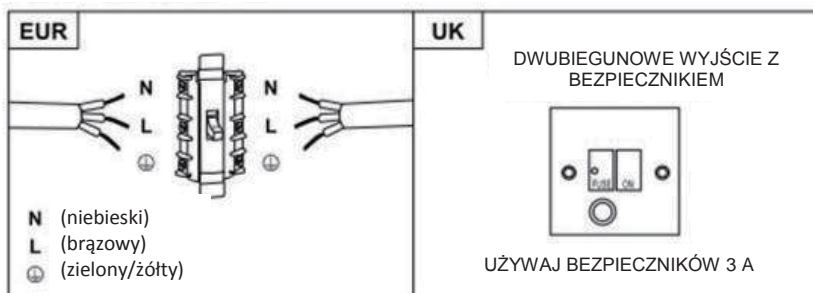
OSTRZEŻENIE: Urządzenie należy do Klasy I i MUSI być uziemione

Urządzenie jest dostarczane z 3-żyłowym kablem zasilającym, żyłami w następujących kolorach:

Brązowy = L lub pod napięciem

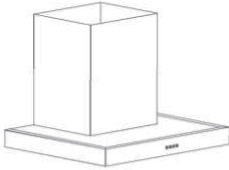

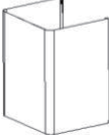

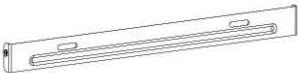






Niebieski = N lub neutralny

Zielony i żółty = E lub inaczej ochronny (⏚)



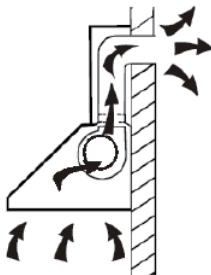
Bezpiecznik musi mieć wartość znamionową 3 A.

Lista standardowych akcesoriów instalacyjnych

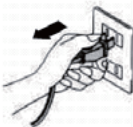
Część	Ilustracja	Ilość
Obudowa		1
Górny przewód kominowy		1
Dolny przewód kominowy		1
Wspornik dolnego przewodu kominowego		1
Wspornik górnego przewodu kominowego		1
Płytki wieszakowa		1
Kołki rozporowe $\varnothing 8/6$ mm białe		9
Wkręty ST4.0×30		9
Wkręty $\varnothing 7.2$ mm ST4.0×8		2
Wylot powietrza		1
Filtr węglowy		2

INSTALACJA (montaż ścienny) (OBIEG OTWARTY)

Jeśli posiadasz możliwość odprowadzenia powietrza na zewnątrz, okap kuchenny można podłączyć w sposób pokazany poniżej, tj. za pomocą przewodu wentylacyjnego (emaliowanego, z aluminium lub w formie elastycznej rury z materiału niepalnego o średnicy wewnętrznej 150 mm).



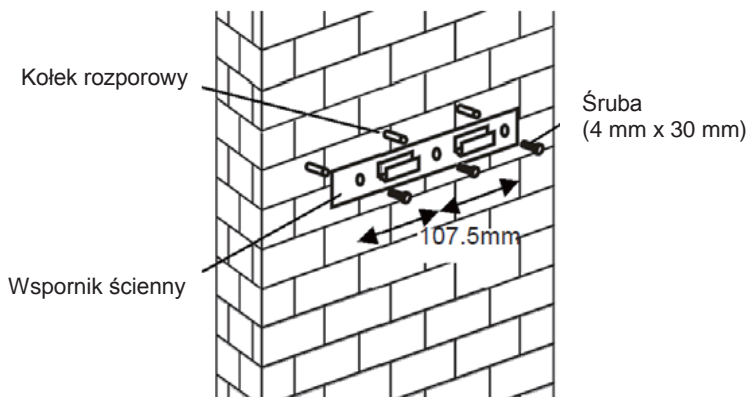
1. Przed instalacją wyłącz urządzenie i wyjmij wtyczkę z gniazdka.



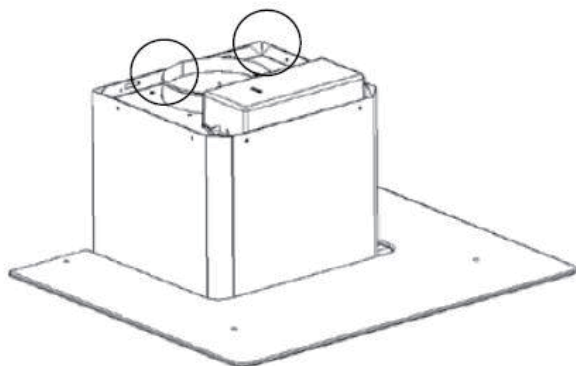
2. Aby uzyskać najlepszą skuteczność, okap kuchenny powinien być umieszczony w odległości 65 ~ 75 cm nad płytą do gotowania.



3. Wywierć 3 otwory o średnicy 8 mm pod wspornik. Przykręć i mocno dociśnij wspornik do ściany za pomocą dostarczonych śrub.



4. Podnieś okap i zawieś go na haku ściennym.

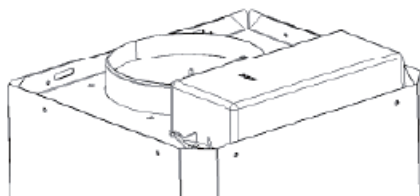


5. Przymocuj klapę zwrotną do wylotu powietrza. Następnie przymocuj rurę do klapy zwrotnej, tak jak pokazano poniżej.

Rura

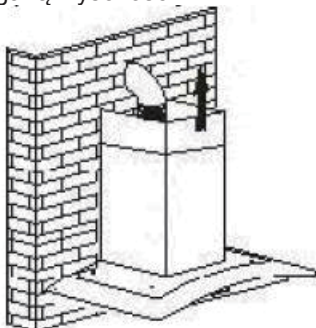


Okap kuchenny

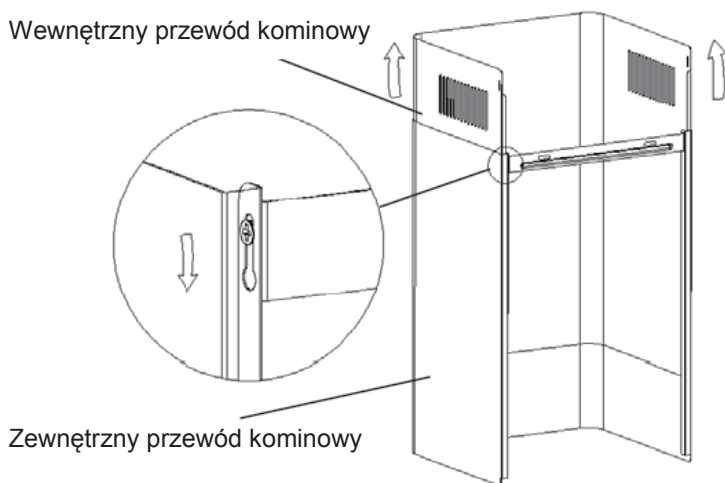


6.

- i. Umieść szklany element w odpowiedniej pozycji na górze okapu.
- ii. Zamocuj go za pomocą 4 śrub i podkładek. Aby uniknąć pęknięcia szkła, nie należy zbyt mocno dokręcać śrub.
- iii. Włóż wewnętrzny przewód kominowy do zewnętrznego przewodu kominowego. Następnie pociągnij wewnętrzny przewód kominowy do góry. Ustaw wymaganą wysokość.

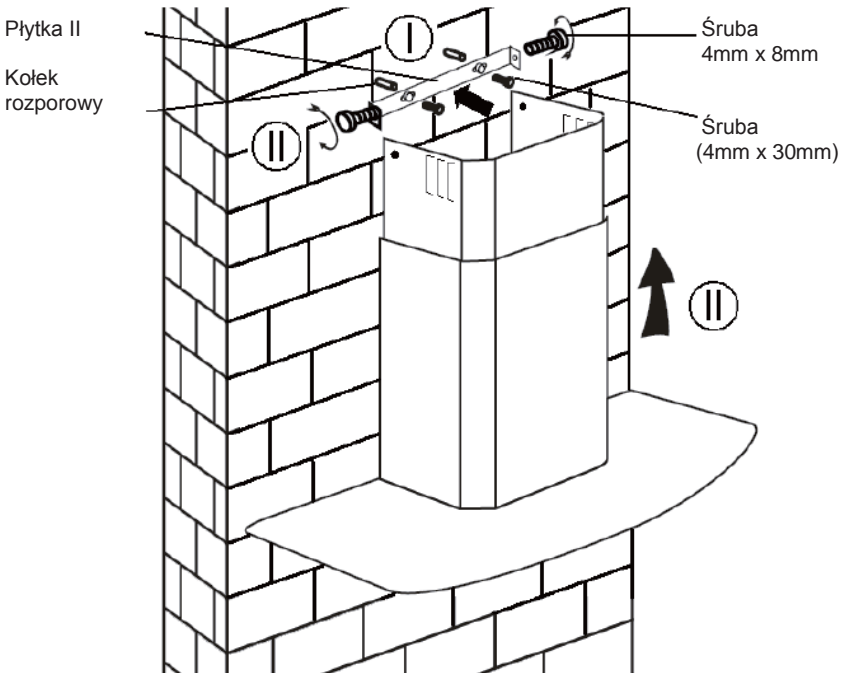


- iv. Przesuwaj przewód kominowy w celu regulacji wysokości. Po osiągnięciu wymaganej wysokości dokręć śruby mocujące, jak pokazano na ilustracji poniżej.

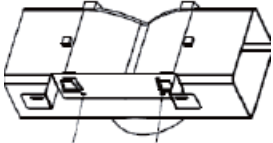
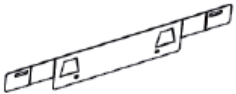





8.

- i. Wywierć 2 otwory o \varnothing 8 mm pod płytkę II. Przykręć i dokręć płytkę II do ściany za pomocą 2 dostarczonych kołków rozporowych.
- ii. Zamontuj komin na płytce i przymocuj 2 śrubami.



Lista standardowych akcesoriów instalacyjnych

Część	Ilustracja	Ilość
Deflektor		1
Wspornik		1
Kołki rozporowe ø8/6 mm białe		2
Wkręty ST4.0×30		2
Wkręty ST3.5×12		2

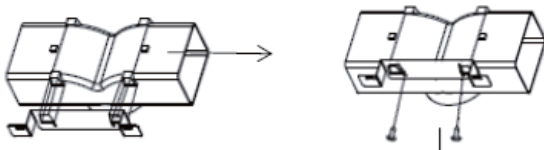
INSTALACJA DEFLEKTORA

Deflektor jest dołączony do urządzenia, a jego instalacja nie jest opcjonalna.

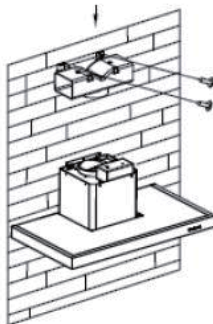
1. Przed montażem wygnij oba końce wspornika, jak pokazano poniżej:



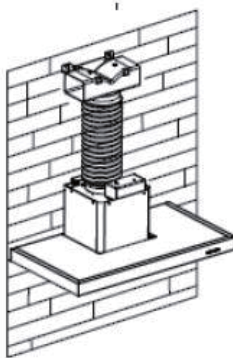
2. Zamocuj wspornik do plastikowego wylotu w kształcie litery T za pomocą 2 dostarczonych śrub ST3,5x12mm



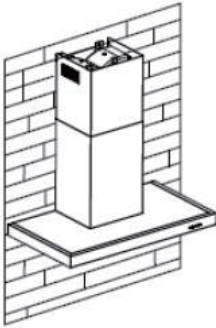
3. Wywierć 2 otwory pod kołki rozporowe, a następnie przykręć i dokręć wspornik do ściany za pomocą 2 dostarczonych śrub ST4x30mm



4. Zamocuj rurę na wylocie powietrza z okapu, jak pokazano poniżej:



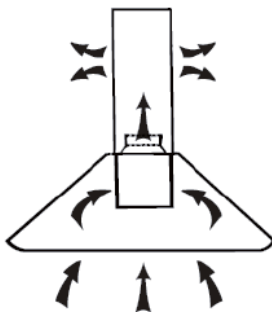
5. Zamontuj przewód kominowy na urządzeniu i zamocuj go.



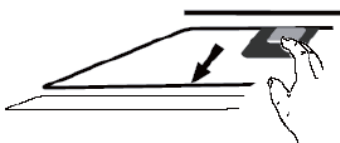
- Uwaga: Trójnik z tworzywa sztucznego i klapa szczelna zwrotna nie mogą być zamontowane jednocześnie. Możesz użyć tych elementów na dwa sposoby: 1) Zamontuj klapę szczelną zwrotną na istniejącym wylocie powietrza; 2) Użyj trójnika z tworzywa sztucznego nie instalując klapy szczelnej zwrotnej.
- Uwaga: Produkt jest dostarczany z klapą szczelną zwrotną. Element ten nie musi być zainstalowany, alby urządzenie działało w prawidłowy sposób.

INSTALACJA (OBIEG ZAMKNIĘTY)

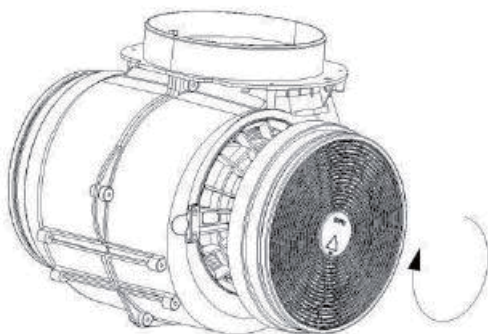
Jeśli nie posiadasz odprowadzania powietrza na zewnątrz pomieszczenia, rura wentylacyjna nie jest potrzebna, choć montaż przebiega podobnie do pokazanego w sekcji „INSTALACJA (OBIEG OTWARTY)”.



Do wychwytywania zapachów może być wykorzystany filtr węglowy. Aby zainstalować filtr zawierający węgiel aktywny, najpierw należy odłączyć filtr przeciwtłuszczowy. Naciśnij blokadę i pociągnij w dół.



Podłącz filtr węglowy do urządzenia i obróć go w kierunku zgodnym z ruchem wskazówek zegara. Powtórz to samo po drugiej stronie.



KIERUNEK ZAMYKANIA

UWAGA:

- Upewnij się, że filtr został bezpiecznie zablokowany. W przeciwnym razie się poluzować i zagrozić bezpieczeństwu.
- Po podłączeniu filtra z węglem aktywnym moc ssania będzie niższa.

OPIS ELEMENTÓW

KONFIGURACJA 1

1 2 3 B B⁺  

OBSŁUGA

1 Przycisk niskich obrotów
Służy do wentylacji kuchni. Odpowiedni do gotowania na wolnym ogniu i innych czynności wytwarzających niewielką ilość pary.

2 Przycisk średnich obrotów
Ta prędkość zasysania powietrza jest idealna do wentylacji przy standardowym gotowaniu.

3 Przycisk wysokich obrotów
Jeżeli wydobywa się gęsty dym lub para, nacisnąć przycisk wysokich obrotów, aby zapewnić skuteczną wentylację.

B Boost 1 (prędkość 4)
Naciśnij przycisk prędkości b 1, podświetlenie przycisku prędkości B jest włączone, a okap pracuje w trybie Boost;

B⁺ Boost 2 (prędkość 5)
Naciśnij przycisk prędkości b 2, podświetlenie przycisku prędkości B+ zaświeci się, a okap pracuje w trybie Boost;



Oświetlenie
Krótkie naciśnięcie do włączania i wyłączenia oświetlenia

Minutnik: Przytrzymaj przycisk światła przez 3 sekundy, przyciski prędkości wentylatora będą migać i odliczają 5 minut, po 5 minutach silnik i światło wyłączą się automatycznie z trzema dźwiękami brzęczyka.



Połączenie Wi-Fi

Długie naciśnięcie ikony Wi-Fi i wejście w tryb połączenia: podświetlenie ikony Wi-Fi miga, co wskazuje, że połączenie jest w trakcie łączenia, podświetlenie ikony Wi-Fi świeci, co oznacza, że jest podłączone, tak samo w trybie gotowości; ponownie długo naciśnij ikonę WiFi, a połączenie zostanie zatrzymane;

KONFIGURACJA 2

1

2

3

B



TRYB CZUWANIA.

Po podłączeniu oświetlenie, system w **TRYBIE CZUWANIA**

1

Przycisk niskich obrotów

Służy do wentylacji kuchni. Odpowiedni do gotowania na wolnym ogniu i innych czynności wytwarzających niewielką ilość pary.

2

Przycisk średnich obrotów

Ta prędkość zasysania powietrza jest idealna do wentylacji przy standardowym gotowaniu.

3

Przycisk wysokich obrotów

Jeżeli wydobywa się gęsty dym lub para, nacisnąć przycisk wysokich obrotów, aby zapewnić skuteczną wentylację.

B

Funkcja wzmocnienia

Ten okap ma funkcję wzmocnienia. Aby ją aktywować, naciśnij B do prędkości 4; ustaw najwyższą moc działania okapu. Okap będzie pracował z najwyższą mocą przez 5 minut zanim ponownie zwolni.



Oświetlenie

Krótkie naciśnięcie do włączania i wyłączania oświetlenia

Minutnik: Przytrzymaj przycisk światła przez 3 sekundy, przyciski prędkości wentylatora będą migać i odliczają 5 minut, po 5 minutach silnik i światło wyłączą się automatycznie z trzema dźwiękami brzęczyka.



Połączenie Wi-Fi

Długie naciśnięcie ikony Wi-Fi i wejście w tryb połączenia: podświetlenie ikony Wi-Fi miga, co wskazuje, że połączenie jest w trakcie łączenia, podświetlenie ikony Wi-Fi świeci, co oznacza, że jest podłączone, tak samo w trybie gotowości; ponownie długo naciśnij ikonę WiFi, a połączenie zostanie zatrzymane;



Pobierz aplikację hOn

Przed wszystkim należy pobrać APLIKACJĘ hOn i zainstalować ją na swoim urządzeniu przenośnym. Następnie zarejestruj swój okap.



UWAGA

Get ready to add your appliance

- 1 Stay close to your appliance
- 2 While in front of your appliance, ensure that your smartphone is connected to a 2.4GHz Wi-Fi network with a stronger signal

CHANGE WI-FI SETTINGS

- 3 Public networks are not allowed due to low security and reliability.
- 4 Prepare to enter your Home Wi-Fi password.

REJESTRACJA OKAPU HAIER



Obraz okapu ma na celu jedynie jego przedstawienie. Może nie być idealnie reprezentatywny.

- 1- Naciśnij przycisk WiFi, aż ikona zacznie migać. Po zakończeniu parowania ikona WiFi będzie włączona.

KONSERWACJA

Przed czyszczeniem wyłącz urządzenie i wyciągnij wtyczkę z gniazdka.

I. Codzienne czyszczenie

Używaj miękkiej szmatki zwilżonej letnią wodą z niewielkim dodatkiem mydła lub domowego środka czyszczącego. Nigdy nie używaj do czyszczenia urządzenia metalowych gąbek, środków chemicznych i materiałów ściernych ani ostrych szczotek.

II. Comiesięczne czyszczenie filtra przeciw tłuszczowemu

WAŻNE: Czyść filtr co miesiąc, aby wyeliminować ryzyko pożaru.

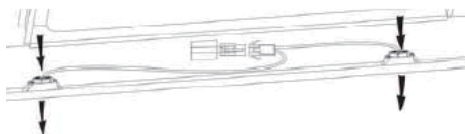
Filtr zbiera tłuszcz, dym i kurz - ma więc bezpośredni wpływ na wydajność okapu kuchennego. Jeśli nie zostanie oczyszczony, pozostałości tłuszczu (potencjalnie łatwopalne) nagromadzą się na filtrze. Oczyszć go za pomocą domowego detergentu do czyszczenia.

III. Coroczne czyszczenie filtra węglowego

Dotyczy WYŁĄCZNIE urządzeń, które zostały zainstalowane jako urządzenie recyrkulacyjne (nie odprowadzające powietrza na zewnątrz). Filtr ten zatrzymuje zapachy i należy go wymieniać co najmniej raz w roku, w zależności od częstotliwości używania okapu kuchennego.

IV. Wymiana żarówki

Odkręć śruby na szybie, zdejmij szybę z okapu. Znajdź żarówkę, która wymaga wymiany; znajdziesz ją w oprawie, która znajduje się wewnątrz odsłoniętej części daszka.



Odłącz punkt podłączenia kabla i wyjmij oprawki żarówek i przewody z maski.

Ważne: wymiana pojedynczych żarówek nie jest możliwa, konieczne będzie zakupienie żarówek, oprawek i okablowania w zestawie. (Światło LED: MAX 1,5 W)

Zamontuj nowe żarówki, oprawki żarówek i okablowanie w taki sam sposób jak oryginały. Następnie podłącz ponownie kabel.

Ponownie załóż szybę okapu i przykręć śruby. Upewnij się, że śruby są dobrze dokręcone.

Ponownie zamontuj szybę okapu i dokręć śruby. Upewnij się, że śruby są w pełni dokręcone.

ROZWIĄZYWANIE PROBLEMÓW

Usterka	Przyczyna	Rozwiązanie
Żarówka włączona, ale wentylator nie działa	Łopatką wentylatora jest zaklinowana.	Wyłącz urządzenie i powierz naprawę wyłącznie wykwalifikowanej osobie.
	Silnik jest uszkodzony.	
Zarówno lampa, jak i wentylator nie działają	Przepalona żarówka halogenowa.	Wymenić żarówkę na odpowiednik.
	Poluzowany przewód zasilający.	Ponownie prawidłowo włożyć do gniazdka.
Silne wibracje urządzenia	Łopatką wentylatora jest uszkodzona.	Wyłączyć urządzenie i powierzyć naprawę wyłącznie wykwalifikowanej osobie.
	Silnik wentylatora nie jest stabilnie przymocowany.	Wyłącz urządzenie i powierz naprawę wyłącznie wykwalifikowanej osobie.
	Urządzenie nie jest prawidłowo podwieszane na wsporniku.	Wymontować urządzenie i sprawdzić czy wspornik znajduje się w prawidłowym położeniu.
Wydajność ssania nie jest wystarczająca	Zbyt duża odległość między urządzeniem i powierzchnią gotowania	Wyregulować odległość na 65-75 cm

Technologia	Wi-Fi
Standard	802.11 b/g/n
Pasma(-a) częstotliwości [MHz]	2400 MHz - 2483.5 MHz
Moc maksymalna [mW]	100 mW

Informacje o produkcie dot. urządzeń sieciowych	
Pobór mocy piekarnika w trybie czuwania w sieci, jeśli wszystkie przewodowe porty sieciowe są podłączone i włączone są wszystkie porty sieci bezprzewodowej:	2W
Sposób aktywowania portu sieci bezprzewodowej:	Jeśli okap został zarejestrowany w aplikacji, włącz go, aby aktywować port sieci bezprzewodowej.
Sposób dezaktywowania portu sieci bezprzewodowej:	Jeśli okap został zarejestrowany w aplikacji, wyłącz go, aby dezaktywować port sieci bezprzewodowej. Jeśli okap nie został zarejestrowany w aplikacji, port sieci bezprzewodowej zostanie dezaktywowany, nawet jeśli okap jest włączony.

OCHRONA ŚRODOWISKA

Niniejsze urządzenie jest oznakowane zgodnie z europejską dyrektywą 2012/19/UE w sprawie zużytego sprzętu elektrycznego i elektronicznego (en.WEEE).



WEEE obejmuje zarówno substancje zanieczyszczające (mogące powodować negatywne skutki dla środowiska), jak i podstawowe komponenty (które mogą być ponownie wykorzystane). Ważne jest poddanie WEEE określonej obróbce w celu usunięcia i właściwej utylizacji wszystkich zanieczyszczeń oraz odzyskania i recyklingu wszystkich materiałów.

Osoby fizyczne mogą odegrać ważną rolę w zapewnieniu, że WEEE nie stanie się problemem środowiskowym; konieczne jest przestrzeganie kilku podstawowych zasad:

WEEE nie powinien być traktowany jako odpad z gospodarstwa domowego;

WEEE należy przekazać do odpowiednich punktów zbiórki zarządzanych przez gminę lub zarejestrowane firmy. W wielu krajach w przypadku WEEE o dużych gabarytach możliwy jest odbiór z domu .

W wielu krajach przy zakupie nowego urządzenia stare urządzenie można zwrócić sprzedawcy, który musi je bezpłatnie odebrać na zasadzie odbioru indywidualnego, o ile sprzęt jest tego samego typu i spełnia te same funkcje jak dostarczony sprzęt.

HANDLEIDING VOOR INSTALLATIE EN GEBRUIK

INHOUD

INLEIDING	173
VEILIGHEIDSMATREGELEN	173
ELEKTRISCHE INSTALLATIE	175
SPECIFICATIES	176
INSTALLATIE (AFVOER NAAR BUITEN)	177
INSTALLATIE (VENTILATIE BINNEN)	184
BESCHRIJVING VAN DE ONDERDELEN	185
BEDIENING	185
ONDERHOUD	188
PROBLEMEN OPLOSSEN	189
OVEREENSTEMMING MET RICHTLIJNEN	190
MILIEUBESCHERMING	190

INLEIDING

Bedankt dat u voor deze afzuigkap hebt gekozen.

Deze handleiding is opgesteld om u alle nodige instructies te verschaffen met betrekking tot het installeren, het gebruik en het onderhoud van het apparaat. Om het apparaat correct en veilig te laten werken, dient u deze handleiding voorafgaand aan de installatie en het gebruik zorgvuldig door te lezen.

De afzuigkap is van hoogwaardige materialen gemaakt en heeft een gestroomlijnd design. Het apparaat is uitgerust met een krachtige elektromotor en centrifugaalventilator. Dit garandeert een sterke zuigkracht, een geluidsarme werking, een vetfilter dat niet kleverig wordt en een gemakkelijke installatie.

Candy Hoover Group Srl verklaart hierbij dat de radioapparatuur voldoet aan Richtlijn 2014/53/EU en aan de desbetreffende wettelijke voorschriften (voor de UKCA ['UK Conformity Assessed']-markt).

De volledige tekst van de conformiteitsverklaring is beschikbaar op het volgende internetadres: www.candy-group.com

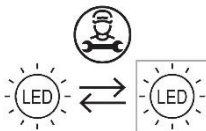
VEILIGHEIDSMATREGELEN

- Laat nooit kinderen het apparaat bedienen.
- De afzuigkap is alleen bedoel voor thuisgebruik en is niet geschikt voor barbecue, noch voor horeca of winkels waar vlees of andere gerechten worden geroosterd, noch voor andere commerciële doeleinden.
- De afzuigkap en het bijhorende filter moeten regelmatig worden schoongemaakt om het apparaat in goede werkende conditie te houden.
- Maak de afzuigkap schoon volgens de instructies in de handleiding en voorkom dat er risico van brandgevaar ontstaat.
- Verbied direct bakken op het gasfornuis.
- Zorg altijd voor goede ventilatie in de keuken.
- Controleer of de voedingskabel niet is beschadigd alvorens dit apparaat aan te sluiten. Een beschadigde voedingskabel mag alleen worden vervangen door gekwalificeerd onderhoudspersoneel.
- Zorg voor voldoende ventilatie van de ruimte wanneer de afzuigkap gelijktijdig wordt gebruikt met toestellen die gas of andere brandstoffen verbranden;
- De lucht mag niet worden afgevoerd in een pijp die wordt gebruikt voor de rookgassen van toestellen die gas of andere brandstoffen verbranden;
- De voorschriften betreffende de afvoer van lucht dienen te worden gerespecteerd.

- Houd kinderen in de gaten, om te voorkomen dat zij met het apparaat spelen.
- Niet flamberen onder de afzuigkap.
De afzuigkap is niet bedoeld voor installatie boven een fornuis met meer dan vier pitten
- Zorg voor voldoende ventilatie van de ruimte wanneer de afzuigkap gelijktijdig wordt gebruikt met apparaten die gas of andere brandstoffen verbranden (niet van toepassing op apparaten die de lucht alleen terug de ruimte invoeren);
- De details met betrekking tot manier en frequentie van reinigen.
- Er bestaat brandgevaar als de reiniging niet conform de instructies wordt uitgevoerd.
- Niet flamberen onder de afzuigkap.
- **VOORZICHTIG:** Bij gebruik van kooktoestellen kunnen toegankelijke delen heet worden.

Gevaar voor elektrische schok

- ~ Sluit dit toestel uitsluitend aan op een correct geaard stopcontact. Neem bij twijfel contact op met een gekwalificeerde elektromonteur voor advies.
- ~ Niet opvolgen van deze instructies kan leiden tot de dood, brand of elektrische schok.



De in dit product gebruikte lamp is niet geschikt voor gebruik bij de verlichting van een kamer.

Deze lamp heeft als doel verlichting te bieden voor het gebruik van het product.

Elektrische installatie

Alle installaties moeten door een vakbekwame persoon of gekwalificeerde elektriciens worden uitgevoerd. Controleer voordat u het apparaat op de elektrische voeding aansluit of de netspanning overeenkomt met de spanning op het typeplaatje.

Directe aansluiting

Het apparaat moet direct op de netvoeding worden aangesloten met een omnipolaire scheidingschakelaar met een minimum opening van 3 mm tussen de contacten.

De installateur moet controleren of de elektrische aansluiting juist is uitgevoerd en overeenkomt met het bedradingsschema.

De kabel mag niet gebogen of samengedrukt zijn.


Controleer regelmatig of de stekker en het snoer niet zijn beschadigd. Als het netsnoer beschadigd is, moet het worden vervangen door een speciaal snoer of samenstel dat verkrijgbaar is bij de fabrikant of diens servicevertegenwoordiger.

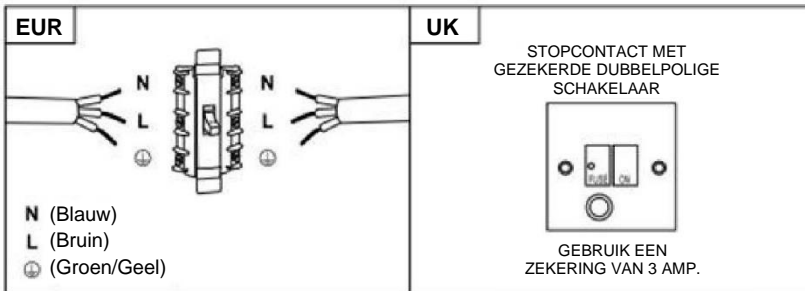
WAARSCHUWING: Dit is een Klasse I-apparaat dat geaard MOET worden

Dit apparaat heeft een 3-aderige voedingskabel die als volgt is gekleurd:

Bruin = fasedraad, de aanvoerdraad van de stroom

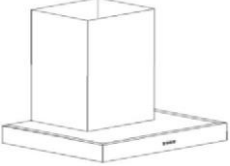
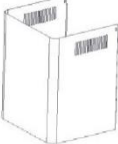
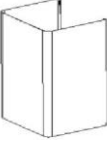


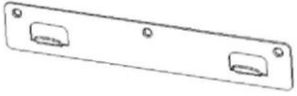



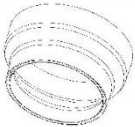

Blauw = nuldraad, de afvoerdraad van de stroom

Groen en geel = aardedraad 



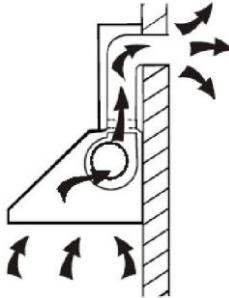
Er moet een zekering van 3 ampère worden gebruikt.

Lijst van accessoires voor standaardinstallatie

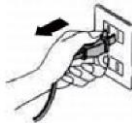
Benaming	Afbeelding	Aantal
Behuizing		1
Bovenste afvoerpijp		1
Onderste afvoerpijp		1
Beugel onderste afvoerpijp		1
Beugel bovenste afvoerpijp		1
Ophangplaat		1
Pluggen $\phi 8$ $\phi 8 \times \phi 6$ wit		9
Schroeven ST4.0x30		9
$\phi 7,2$ schroeven ST4.0x8		2
Luchtuitlaat		1
Koolstoffilter		2

INSTALLATIE (montage op de muur)

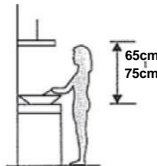
Als u een uitlaat naar buiten hebt, kunt u uw afzuigkap aansluiten zoals op onderstaande afbeelding met behulp van een afzuigkanaal (email, aluminium, onbrandbare flexibele buis met een binnendiameter van 150 mm)



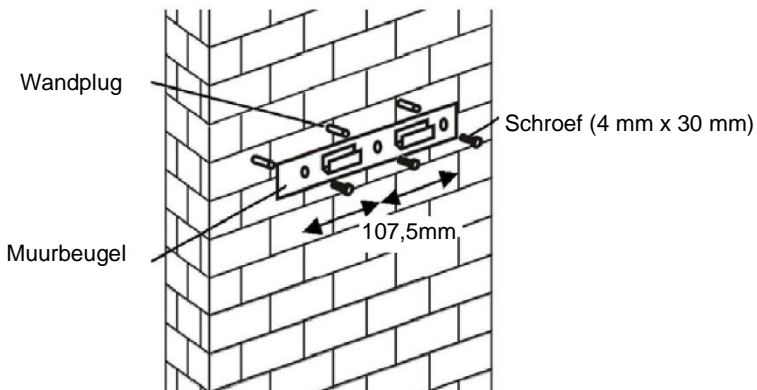
1. Zet voorafgaand aan de installatie het apparaat uit en neem de stekker uit het stopcontact.



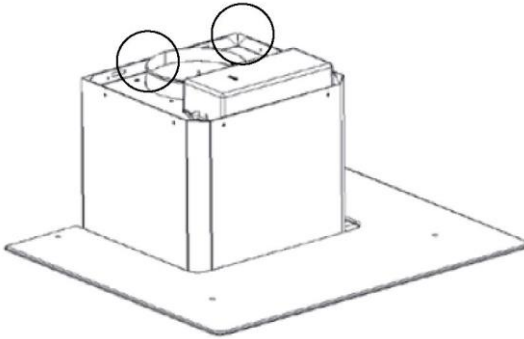
2. Voor het beste effect moet de afzuigkap op 65–75 cm afstand boven het kookvlak worden geplaatst.



3. Boor 3 gaten van 8 mm voor de beugel. Bevestig de beugel op de muur met de meegeleverde schroeven.

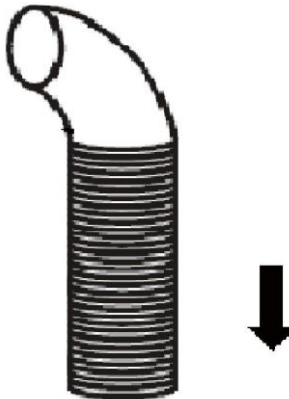


4. Til de afzuigkap op en hang hem aan de haak van de wandbeugel.

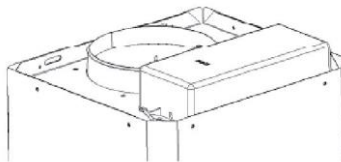


5. Bevestig de terugslagklep aan de luchtuitlaat van de afzuigkap. Bevestig vervolgens de uitlaatpijp op de terugslagklep zoals hieronder weergegeven.

Uitlaatpijp

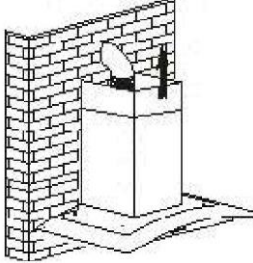


Afzuigkap

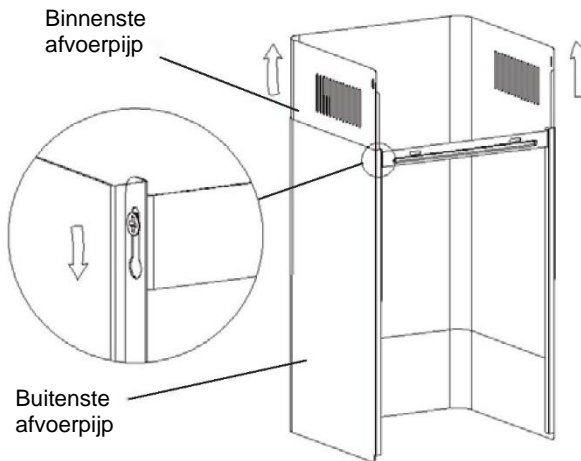


6.

- i. Breng het glas op de juiste plaats aan bovenop de afzuigkap.
- ii. Bevestig het met 4 schroeven met onderlegging. Draai de schroeven niet te vast aan om te voorkomen dat het glas breekt.
- i. Plaats de binnenste afvoerpijp in de buitenste afvoerpijp. Trek vervolgens de binnenste afvoerpijp omhoog. Stel het geheel in op de vereiste hoogte.

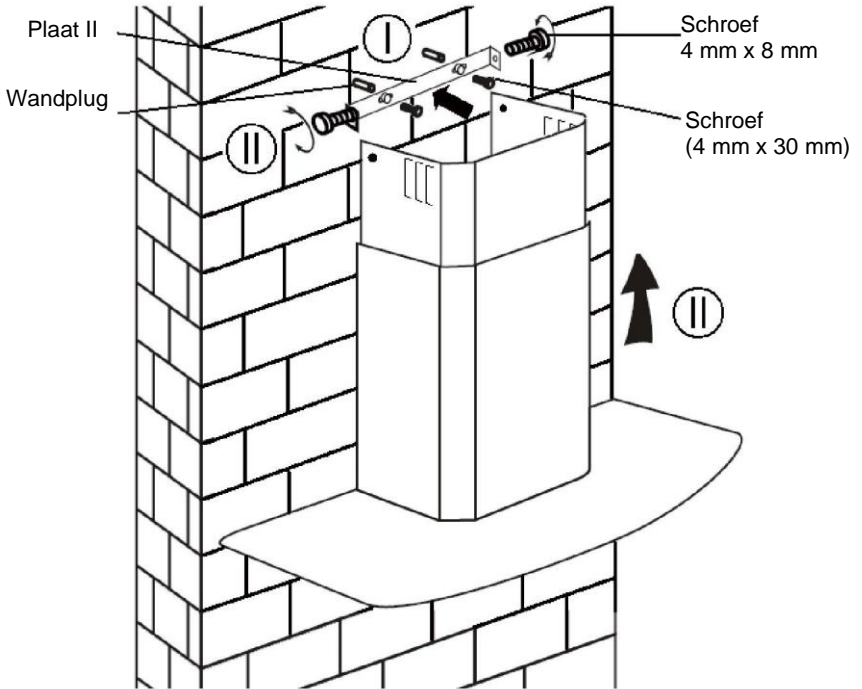


- ii. Verschuif de afvoerpijp om de hoogte van de afvoer aan te passen. Als de vereiste hoogte is bereikt, hang dan de bevestigingsopening aan de bevestigingsschroeven, zoals in de onderstaande afbeelding wordt weergegeven.

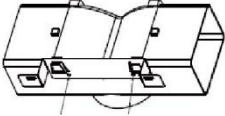
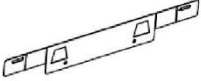





8.

- i. Boor 2 gaten van 8 mm voor plaat II. Bevestig plaat II op de muur met de 2 meegeleverde schroeven.
- ii. Plaats de afvoerpijp tegen de plaat en zet vast met 2 schroeven.



Lijst van accessoires voor standaardinstallatie

Benaming	Afbeelding	Aantal
Luchtdeflector		1
Beugel		1
Pluggen $\varnothing 8$ $\varnothing 8 \times \varnothing 6$ wit		2
Schroeven ST4.0x30		2
Schroeven ST3.5x12		2

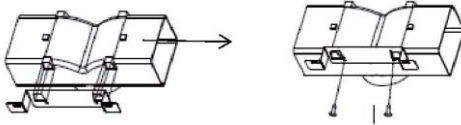
INSTALLATIE (LUCHTDEFLECTOR):

De luchtdeflector wordt vermeld als bijgeleverd en niet optioneel.

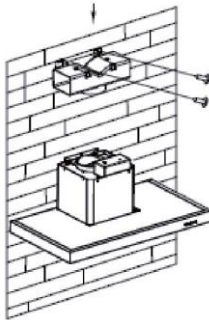
1. Buig voor de installatie de beide uiteinden van de beugel krom zoals hieronder te zien is:



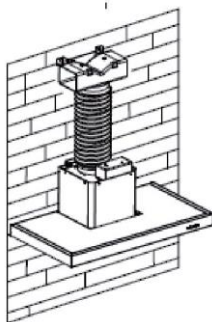
2. Bevestig de beugel aan de T-vormige kunststof uitlaat met 2 meegeleverde schroeven ST3.5x12 mm.



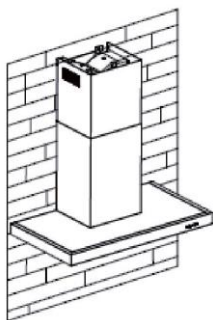
3. Boor 2 gaten voor de wandpluggen en schroef en bevestig vervolgens de beugel op de muur met 2 van de bijgeleverde schroeven ST4x30 mm.



4. Bevestig de uitlaatpijp aan de luchtuitlaat van de afzuigkap zoals hieronder te zien is:



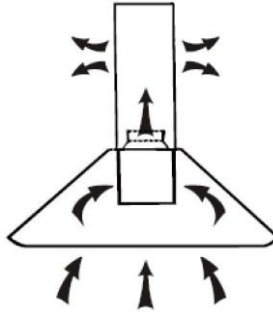
5. Installeer de afvoerpijp op de eenheid en bevestig.



- "Let op: De T-vormige kunststof uitlaat en v-kleppen kunnen niet tegelijkertijd worden gebruikt. U kunt ze op twee manieren gebruiken: 1) Plaats de v-klep op de bestaande uitlaat; 2) Gebruik de T-vormige kunststof uitlaat, voeg geen v-klep toe."
- "Let op: Het product wordt geleverd met v-klep accessoire. Dit accessoire is niet verplicht voor installatie, bediening en gebruik van het product."

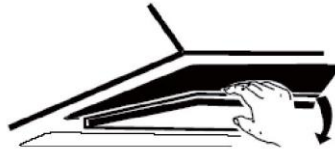
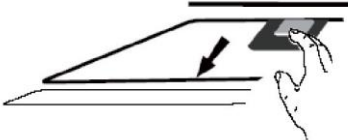
INSTALLATIE (VENTILATIE BINNEN)

Als u geen afvoer naar buiten hebt, is de afzuigbuis niet nodig en is installatie vergelijkbaar met de installatie in het gedeelte 'INSTALLATIE (VENTILATIE BUITEN)'.

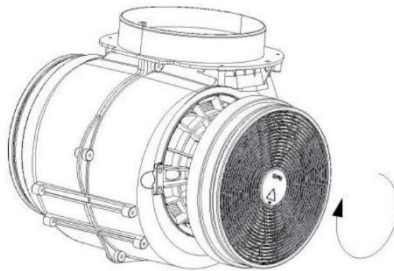


Actiefkoolfilters worden gebruikt voor het opvangen van geurtjes.

Om het actiefkoolfilter te installeren, moet eerst het vetfilter worden losgemaakt. Druk op de blokkering en trek het filter omlaag.



Bevestig het actiefkoolfilter in het apparaat en draai het rechtsom. Doe hetzelfde aan de andere kant.



SLUITEN

OPMERKING:

- *Controleer of het filter stevig vastzit. Anders kan het losraken en gevaar veroorzaken.*
- *Wanneer een actiefkoolfilter is bevestigd, neemt het zuigvermogen af.*

BESCHRIJVING VAN DE ONDERDELEN

CONFIGURATIE 1

1

2

3

B

B⁺



BEDIENING

1

Knop lage snelheid

Deze wordt gebruikt om de keuken te ventileren. Deze stand is geschikt voor sudderende gerechten en voor gerechten waarbij niet veel stoom vrijkomt.

2

Knop middelhoge snelheid

Deze stromingssnelheid van de lucht is ideaal voor afzuiging bij standaardkookwerkzaamheden.

3

Knop hoge snelheid

Wanneer zeer dichte rook of stoom wordt geproduceerd, drukt u op de knop voor hoge snelheid voor een zeer effectieve ventilatie.

B

Boost 1 (snelheid 4)

Druk op snelheid b toets 1, de achtergrondverlichting van de snelheid B is ingeschakeld en de afzuigkap werkt op boost-modus;

B⁺

Boost 2 (snelheid 5)

Druk op snelheid b toets 2, de achtergrondverlichting van snelheid B⁺ is ingeschakeld en de afzuigkap werkt op boost-modus;



Verlichting

Druk kort om het licht aan of uit te zetten

Quick-timer: Houd de lichtknop gedurende 3 seconden ingedrukt. De knoppen van de ventilatorsnelheid zullen knipperen en 5 minuten aftellen. Na 5 minuten gaan de motor en het licht automatisch uit en klinken er drie zoemgeluiden.



Wifiverbinding

Houd het wifipictogram even ingedrukt en ga naar de verbindingmodus: de verlichting van het wifipictogram blijft knipperen om aan te geven dat verbinding wordt gemaakt. Als verbinding is gemaakt, gaat de verlichting van het wifipictogram helemaal aan, net als in de stand-bymodus. Houd het wifipictogram nogmaals even ingedrukt en de verbinding wordt stopgezet.

CONFIGURATIE 2

1

2

3

B



STAND-BYMODUS.

Nadat de spanning is aangesloten gaat alle verlichting en het systeem in **STAND-BYMODUS**.

- 1 Knop lage snelheid**
Deze wordt gebruikt om de keuken te ventileren. Deze stand is geschikt voor sudderende gerechten en voor gerechten waarbij niet veel stoom vrijkomt.
- 2 Knop middelhoge snelheid**
Deze stromingssnelheid van de lucht is ideaal voor afzuiging bij standaardkookwerkzaamheden.
- 3 Knop hoge snelheid**
Wanneer zeer dichte rook of stoom wordt geproduceerd, drukt u op de knop voor hoge snelheid voor een zeer effectieve ventilatie.

- B Boosterfunctie**
- Deze kap heeft een boosterfunctie. Om de booster te activeren, drukt u op **B** tot snelheid 4. Ga naar de hoogste snelheid terwijl de kap in gebruik is en de snelheid wordt gedurende 5 minuten verhoogd, alvorens weer te vertragen.



Verlichting

Druk kort om het licht aan of uit te zetten

Quick-timer: Houd de lichtknop gedurende 3 seconden ingedrukt. De knoppen van de ventilatorsnelheid zullen knipperen en 5 minuten aftellen. Na 5 minuten gaan de motor en het licht automatisch uit en klinken er drie zoemergeluiden.



Wifiverbinding

Houd het wifipictogram even ingedrukt en ga naar de verbindingsmodus: de verlichting van het wifipictogram blijft knipperen om aan te geven dat verbinding wordt gemaakt. Als verbinding is gemaakt, gaat de verlichting van het wifipictogram helemaal aan, net als in de stand-bymodus. Houd het wifipictogram nogmaals even ingedrukt en de verbinding wordt stopgezet.

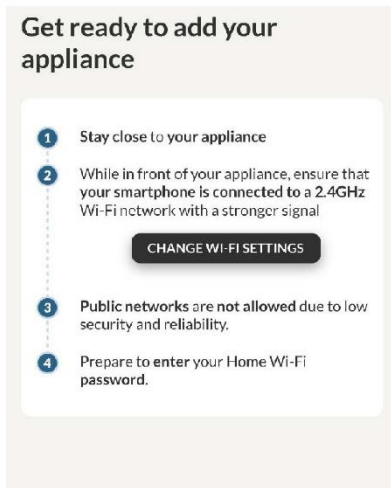
De hOn-app downloaden



Allereerst moet u hOn-app downloaden en op uw draagbare toestel installeren. Registreer vervolgens uw afzuigkap.



OPMERKING



REGISTRATIE HAIER-AFZUIGKAP



De afbeelding van de afzuigkap is uitsluitend ter illustratie. Het kan zijn dat het niet een perfecte weerspiegeling van uw apparaat is.

1- Druk op de wifknop totdat het pictogram begint te knipperen. Als het koppelen is voltooid blijft het wifi-pictogram branden.

ONDERHOUD

Alvorens het apparaat te reinigen, zet u het uit en haalt u de stekker uit het stopcontact.

I. Normale reiniging

Gebruik een zachte doek die in een handwarm mild sopje of een schoonmaakproduct voor het huishouden is bevochtigd. Gebruik nooit metalen voorwerpen, chemische, schurende materialen of harde borstels om het apparaat te reinigen.

II. Maandelijksse reiniging van het vetfilter

ESSENTIEEL: Als u het filter elke maand schoonmaakt, kan dit brandgevaar voorkomen.

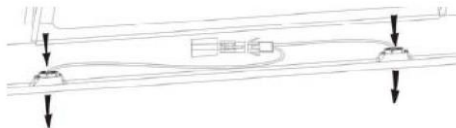
Het filter vangt vet, rook en stof op dit betekent dat het filter rechtstreeks invloed heeft op de efficiëntie van de afzuigkap. Als het filter niet wordt schoongemaakt, kunnen de vetresten (die potentieel brandbaar zijn) het filter verzadigen. Reinig het filter met een huishoudelijk schoonmaakproduct.

III. Jaarlijkse reiniging van het actiefkoolfilter

ALLEEN van toepassing als het product wordt geïnstalleerd als recirculatie-eenheid (zonder ventilatie naar buiten). Dit filter vangt geuren op en moet eenmaal per jaar worden vervangen, afhankelijk van de gebruiksfrequentie van de afzuigkap.

IV. Lamp vervangen

Verwijder de schroeven uit het glas, neem de glazen kap weg. Lokaliseer het lampje dat moet worden vervangen. De lampjes bevinden zich in de armatuur aan de binnenkant van het nu open deel van de kap.



Maak de bedrading los en verwijder de lamphouders en de bedrading uit de kap. Belangrijk: Het is niet mogelijk de lampjes afzonderlijk te vervangen, maar de lampjes, lamphouders en bedrading moeten als geheel worden verwijderd. (ledlampje: MAX 1,5 W)

Plaats de nieuwe lampjes, lamphouders en bedrading op dezelfde wijze als de oorspronkelijke onderdelen. Sluit de bedrading weer aan.

Plaats de glazen kap terug en bevestig de glasschroeven. Zorg dat de schroeven helemaal worden aangedraaid.

PROBLEMEN OPLOSSEN

Fout	Oorzaak	Oplossing
Verlichting brandt, maar de ventilator werkt niet	Het waaierblad van de ventilator zit vast.	Zet het apparaat uit en laat het uitsluitend door gekwalificeerd onderhoudspersoneel repareren.
	De motor is beschadigd.	
De verlichting en de ventilator werken allebei niet	Het halogeenlampje is defect.	Vervang het lampje door een ander met het juiste vermogen.
	Voedings snoer komt los.	Steek de stekker weer in het stopcontact.
Het apparaat trilt zeer sterk	Het waaierblad van de ventilator is beschadigd.	Schakel het apparaat uit en laat het uitsluitend door gekwalificeerd onderhoudspersoneel repareren.
	De motor van de ventilator zit niet goed vast.	Zet het apparaat uit en laat het uitsluitend door gekwalificeerd onderhoudspersoneel repareren.
	Het apparaat is niet correct op de beugel gehangen.	Neem het apparaat van de beugel en controleer of de beugel op de juiste plaats zit.
Afzuigwerking is niet goed	Te grote afstand tussen het apparaat en het kookvlak	Pas de afstand aan tot 65-75 cm

Technologie	Wifi
Standaard	802.11 b/g/n
Frequentieband(en) [MHz]	2400 MHz ~ 2483,5 MHz
Maximaal vermogen [mW]	100 mW

Productinformatie voor netwerkapparatuur	
stroomverbruik van het product in stand-by in een netwerk, als alle bedrade netwerkpoorten zijn aangesloten en alle draadloze netwerkpoorten geactiveerd zijn:	2W
Een draadloze netwerkpoort activeren:	Als de afzuigkap is geregistreerd in de app, schakel dan de afzuig in om de draadloze netwerkpoort te activeren.
Een draadloze netwerkpoort deactiveren:	Als de afzuigkap is geregistreerd in de app, schakel dan de afzuigkap uit om de draadloze netwerkpoort uit te schakelen. Als de afzuigkap nog niet is geregistreerd in de app, dan wordt de draadloze netwerkpoort, zelfs als de afzuigkap aan staat, gedeactiveerd.

SERVICEAFDELING/KLANTENSERVICE

Als u de oorzaak van de afwijkende werking niet kunt vinden, het apparaat uitzetten en contact opnemen met de klantenservice.

SERIENUMMER VAN HET PRODUCT. Waar vind ik dat?

Het is belangrijk dat u aan de klantenservice de productcode en het serienummer (een uit 16 tekens bestaande code die begint met een 3) van uw product doorgeeft; dit nummer is te vinden op het garantiecertificaat of op het typeplaatje op het apparaat. Hiermee voorkomt u onnodige ritten van servicemonteurs en (belangrijker) voorkomt u de bijbehorende voorrijkosten.



Dit apparaat is gemarkeerd conform de Europese Richtlijn 2012/19/EU betreffende afgedankte elektrische en elektronische apparatuur (AEEA).

AEEA bevat zowel vervuilende stoffen (die negatieve gevolgen voor het milieu kunnen hebben) als basiscomponenten (die hergebruikt kunnen worden). Het is belangrijk om WEEE te onderwerpen aan specifieke behandelingen ten einde alle vervuilende stoffen juist te verwijderen en af te voeren en alle materialen te recupereren en te recycleren.

Individueen kunnen een belangrijke rol spelen om ervoor te zorgen dat WEEE geen milieuprobleem wordt. Het is van essentieel belang om enkele basisregels te volgen:

AEEA mag niet worden behandeld als huishoudelijk afval.

AEEA moet worden ingeleverd bij relevante inzamelpunten die worden beheerd door de gemeente of door geregistreerde bedrijven. In veel landen bestaat de mogelijkheid grote AEEA thuis te laten ophalen.

In veel landen kan, wanneer u een nieuw apparaat koopt, het oude worden teruggegeven aan de detailhandelaar die het gratis moet innemen met dien verstande dat de apparatuur van een gelijkwaardig type is en dezelfde functies had als de geleverde apparatuur.

ΕΓΚΑΤΑΣΤΑΣΗ ΚΑΙ ΕΓΧΕΙΡΙΔΙΟ ΧΡΗΣΤΗ

ΠΕΡΙΕΧΟΜΕΝΑ

ΕΙΣΑΓΩΓΗ	192
ΠΡΟΦΥΛΑΞΕΙΣ ΑΣΦΑΛΕΙΑΣ	192
ΗΛΕΚΤΡΙΚΗ ΕΓΚΑΤΑΣΤΑΣΗ	194
ΠΡΟΔΙΑΓΡΑΦΕΣ	195
ΕΓΚΑΤΑΣΤΑΣΗ (ΕΞΩΤΕΡΙΚΟΣ ΑΕΡΙΣΜΟΣ)	196
ΕΓΚΑΤΑΣΤΑΣΗ (ΕΣΩΤΕΡΙΚΟΣ ΑΕΡΙΣΜΟΣ)	203
ΠΕΡΙΓΡΑΦΗ ΕΞΑΡΤΗΜΑΤΩΝ	204
ΛΕΙΤΟΥΡΓΙΑ	204
ΣΥΝΤΗΡΗΣΗ	207
ΑΝΤΙΜΕΤΩΠΙΣΗ ΠΡΟΒΛΗΜΑΤΩΝ	208
ΣΥΜΜΟΡΦΩΣΗ ΜΕ ΤΙΣ ΟΔΗΓΙΕΣ	208
ΠΡΟΣΤΑΣΙΑ ΤΟΥ ΠΕΡΙΒΑΛΛΟΝΤΟΣ	209

ΕΙΣΑΓΩΓΗ

Σας ευχαριστούμε που επιλέξατε αυτόν τον απορροφητήρα.

Αυτό το εγχειρίδιο οδηγιών έχει σχεδιαστεί για να σας παρέχει όλες τις απαιτούμενες οδηγίες σχετικά με την εγκατάσταση, τη χρήση και τη συντήρηση της συσκευής.

Για τη σωστή λειτουργία και την ασφάλεια της μονάδας, διαβάστε προσεκτικά αυτό το εγχειρίδιο οδηγιών πριν από την εγκατάσταση και τη χρήση.

Ο απορροφητήρας χρησιμοποιεί υλικά υψηλής ποιότητας και είναι κατασκευασμένος με βελτιωμένο σχεδιασμό. Εξοπλισμένος με ηλεκτρικό μοτέρ μεγάλης ισχύος και φυγοκεντρικό ανεμιστήρα, παρέχει επίσης ισχυρή ισχύ αναρρόφησης, λειτουργία χαμηλού θορύβου, αντικολητικό φίλτρο λίπους και εύκολη συναρμολόγηση.

Δια του παρόντος, η Candy Hoover Group Srl δηλώνει ότι ο ραδιοεξοπλισμός συμμορφώνεται με την Οδηγία 2014/53/EE και με τις σχετικές Νομοθετικές Απαιτήσεις (για την αγορά UKCA). Το πλήρες κείμενο της δήλωσης συμμόρφωσης είναι διαθέσιμο στο διαδίκτυο στην ακόλουθη διεύθυνση: www.candy-group.com.

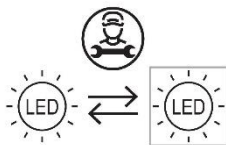
ΠΡΟΦΥΛΑΞΕΙΣ ΑΣΦΑΛΕΙΑΣ

- Μην αφήνετε ποτέ τα παιδιά να χειρίζονται το μηχάνημα.
- Ο απορροφητήρας είναι μόνο για οικιακή χρήση, δεν είναι κατάλληλος για μπάρμπεκιου, ψητοπωλεία και άλλους εμπορικούς σκοπούς.
- Ο απορροφητήρας και το φίλτρο του πρέπει να καθαρίζονται τακτικά για να διατηρούνται σε καλή κατάσταση.
- Καθαρίστε τον απορροφητήρα σύμφωνα με το εγχειρίδιο οδηγιών και προφυλάξτε τη μονάδα από τον κίνδυνο καύσης.
- Απαγορεύεται το άμεσο ψήσιμο από κουζίνα υγραερίου.
- Φροντίστε για τον καλό αερισμό της κουζίνας.
- Πριν συνδέσετε αυτή τη συσκευή, ελέγξτε ότι το καλώδιο τροφοδοσίας δεν έχει υποστεί ζημιά. Ένα κατεστραμμένο καλώδιο τροφοδοσίας πρέπει να αντικαθίσταται μόνο από εξειδικευμένο προσωπικό σέρβις.
- Θα πρέπει να υπάρχει επαρκής εξαερισμός του χώρου όταν χρησιμοποιείται ο απορροφητήρας ταυτόχρονα με τις συσκευές που καίνε υγραέριο ή άλλα καύσιμα,
- Ο αέρας δεν πρέπει να εκκενώνεται σε μια καπνοδόχο που χρησιμοποιείται για την εξαγωγή καπνών από συσκευές καύσης υγραερίου ή άλλων καυσίμων,
- Οι κανόνες που αφορούν την εκκένωση του αέρα πρέπει να πληρούνται.
- Τα παιδιά πρέπει να εποπτεύονται συνεχώς ώστε να διασφαλιστεί ότι δεν παίζουν με τη συσκευή.
- Μην ανάβετε φωτιά με φλόγες κάτω από τον απορροφητήρα.
- Ο απορροφητήρας δεν προορίζεται για εγκατάσταση πάνω από εστία με περισσότερα από τέσσερα στοιχεία εστίας

- Θα πρέπει να υπάρχει επαρκής εξαερισμός του δωματίου όταν ο απορροφητήρας χρησιμοποιείται ταυτόχρονα με συσκευές που καίνε υγραέριο ή άλλα καύσιμα (δεν ισχύει για συσκευές που εκκενώνουν μόνο τον αέρα πίσω στο δωμάτιο),
- τις λεπτομέρειες σχετικά με τη μέθοδο και τη συχνότητα καθαρισμού.
- υπάρχει κίνδυνος πυρκαγιάς εάν ο καθαρισμός δεν πραγματοποιείται σύμφωνα με τις οδηγίες,
- μην ανάβετε φωτιά με φλόγες κάτω από τον απορροφητήρα.
- ΠΡΟΣΟΧΗ: Τα προσβάσιμα εξαρτήματα ενδέχεται να ζεσταθούν όταν χρησιμοποιούνται μαζί με συσκευές μαγειρέματος.

Κίνδυνος ηλεκτροπληξίας

- ~ Συνδέστε αυτή τη μονάδα μόνο σε μια σωστά γειωμένη πρίζα. Εάν έχετε αμφιβολίες, ζητήστε συμβουλές από έναν κατάλληλα καταρτισμένο μηχανικό.
- ~ Η μη τήρηση αυτών των οδηγιών μπορεί να οδηγήσει σε θάνατο, πυρκαγιά ή ηλεκτροπληξία.



Η λάμπα που χρησιμοποιείται σε αυτό το προϊόν δεν είναι κατάλληλη για χρήση για το φωτισμό ενός δωματίου.

Ο σκοπός αυτής της λάμπας είναι να παρέχει φωτισμό για τη χρήση του προϊόντος.

Ηλεκτρική εγκατάσταση

Όλες οι εργασίες εγκατάστασης πρέπει να εκτελούνται από αρμόδιο άτομο ή εξειδικευμένο ηλεκτρολόγο. Πριν συνδέσετε την παροχή ρεύματος, βεβαιωθείτε ότι η τάση δικτύου αντιστοιχεί στην τάση στην πινακίδα τεχνικών χαρακτηριστικών.

Απευθείας σύνδεση

Η συσκευή πρέπει να συνδέεται απευθείας με την παροχή ρεύματος, στην οποία πρέπει να εγκατασταθεί ένας παντοπολικός διακόπτης με ελάχιστο διάκενο 3 mm μεταξύ των επαφών.

Ο εγκαταστάτης πρέπει να διασφαλίσει ότι έχει γίνει η σωστή ηλεκτρική σύνδεση και ότι συμμορφώνεται με το διάγραμμα τοποθέτησης των καλωδίων και συνδέσεων. Το καλώδιο δεν πρέπει να λυγίσει ή να συμπιεστεί.

Να ελέγχετε τακτικά το βύσμα τροφοδοσίας και το καλώδιο τροφοδοσίας για ζημιές. Εάν το καλώδιο τροφοδοσίας είναι κατεστραμμένο, πρέπει να αντικατασταθεί από ένα ειδικό καλώδιο ή συγκρότημα που διατίθεται από τον κατασκευαστή ή τον αντιπρόσωπο σέρβις του.

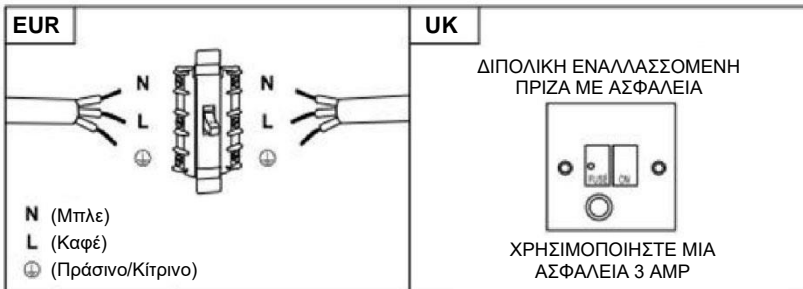
ΠΡΟΕΙΔΟΠΟΙΗΣΗ: Αυτή είναι μια συσκευή Κατηγορίας I και ΠΡΕΠΕΙ να είναι γειωμένη

Αυτή η συσκευή παρέχεται με καλώδιο τροφοδοσίας 3 πυρήνων με το εξής χρώμα:

Καφέ = L ή Φάση με ρεύμα

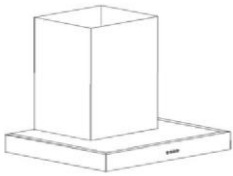
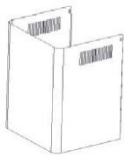
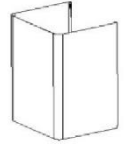


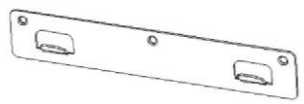





Μπλε = N ή Ουδέτερο

Πράσινο και Κίτρινο = E ή Γείωση (⊕)



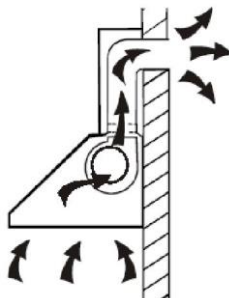
Η ασφάλεια πρέπει να έχει ονομαστική τιμή 3 Amps.

Λίστα εξαρτημάτων τυπικής εγκατάστασης

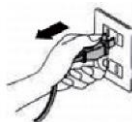
Προδ.	Εικονογραφημένη εικόνα	Ποσότητα
Θήκη		1
Άνω Καμινάδα		1
Κάτω Καμινάδα		1
Στήριγμα κάτω καμινάδας		1
Στήριγμα άνω καμινάδας		1
Αναρτώμενο στήριγμα		1
φ8 βύσματα rawl φ8xφ6 λευκό χρώμα		9
Βίδες ST4.0x30		9
Βίδες φ7.2 ST4.0x8		2
Έξοδος αέρα		1
Φίλτρο άνθρακα		2

ΕΓΚΑΤΑΣΤΑΣΗ (τοποθέτηση σε τοίχο)

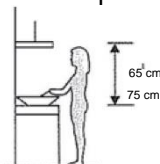
Εάν υπάρχει μια έξοδος προς τα έξω, ο απορροφητήρας σας μπορεί να συνδεθεί όπως φαίνεται στην παρακάτω εικόνα μέσω ενός αγωγού εξαγωγής (από σμάλτο, αλουμίνιο, μη εύφλεκτο εύκαμπτο σωλήνα, με εσωτερική διάμετρο 150 mm)



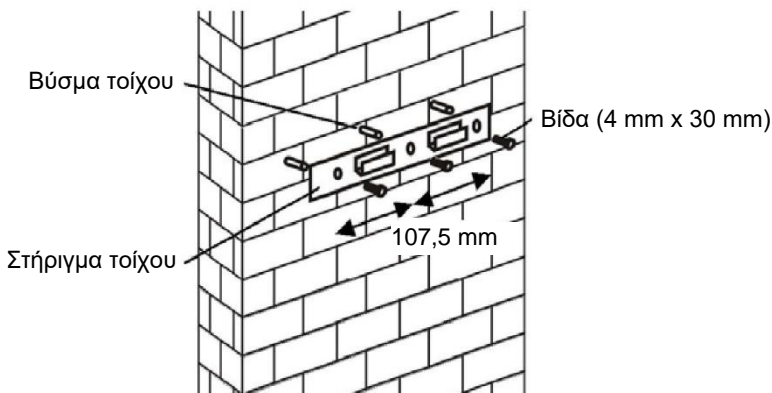
1. Πριν από την εγκατάσταση, απενεργοποιήστε τη συσκευή και αποσυνδέστε την από την πρίζα.



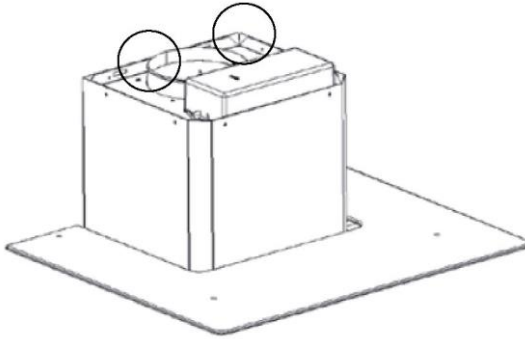
2. Ο απορροφητήρας πρέπει να τοποθετηθεί σε απόσταση 65~75 cm πάνω από την επιφάνεια μαγειρέματος για καλύτερο αποτέλεσμα.



3. Ανοίξτε τρύπες 3 x 8 mm για να χωρέσετε το στήριγμα. Βιδώστε και σφίξτε το στήριγμα στον τοίχο με τις βίδες που παρέχονται.

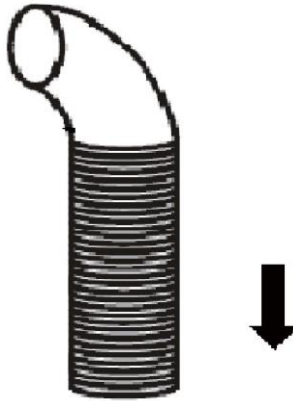


4. Αφήστε ψηλά τον απορροφητήρα και κρεμάστε στο γάντζο του στηρίγματος τοίχου.

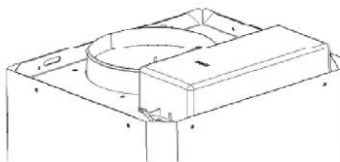


5. Στερεώστε τη βαλβίδα μονής κατεύθυνσης στην έξοδο αέρα του απορροφητήρα. Στη συνέχεια, συνδέστε τον σωλήνα εξαγωγής στη βαλβίδα μονής κατεύθυνσης όπως φαίνεται παρακάτω.

Σωλήνας εξαγωγής

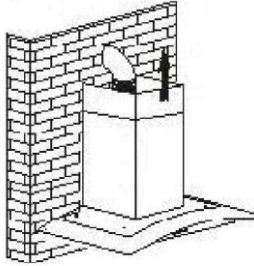


Απορροφητήρας κουζίνας

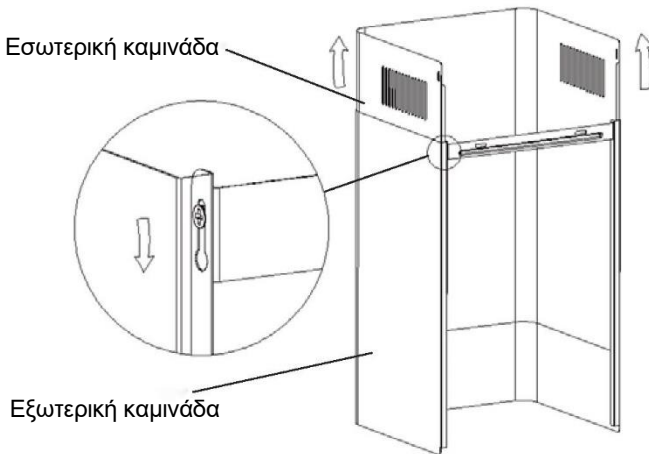


6.

- i. Τοποθετήστε το γυαλί στην κατάλληλη θέση στο επάνω μέρος του απορροφητήρα.
- ii. Στερεώστε με 4 βίδες και μια ροδέλα. Για να αποφύγετε το ράγισμα του γυαλιού, μην σφίγγετε πολύ δυνατά τις βίδες.
- i. Βάλτε την εσωτερική καμινάδα στην εξωτερική καμινάδα. Στη συνέχεια, τραβώντας την εσωτερική καμινάδα προς τα πάνω. Προσαρμόστε για να φτάσετε στο απαιτούμενο ύψος.

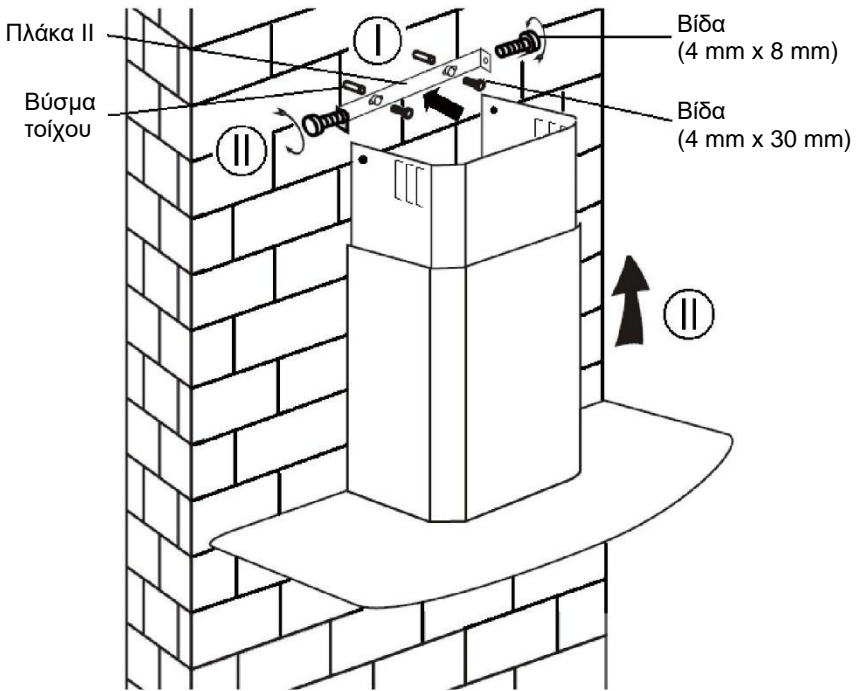


- ii. Σύρετε την καμινάδα για να ρυθμίσετε το ύψος της καμινάδας. Όταν επιτευχθεί το ύψος που θέλετε, κρεμάστε την οπή στερέωσης στις βίδες στερέωσης όπως φαίνεται στις παρακάτω εικόνες.

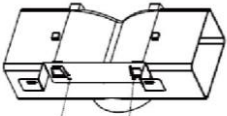
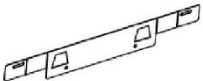





8.

- i. Ανοίξτε τρύπες 2 x 8 mm για να χωρέσετε την πλάκα II. Βιδώστε και σφίξτε την πλάκα II στον τοίχο με τις 2 βίδες που παρέχονται.
- ii. Συναρμολογήστε την καμινάδα στη μονάδα και στερεώστε την με 2 βίδες.



Λίστα εξαρτημάτων τυπικής εγκατάστασης

Προδ.	Εικονογραφημένη εικόνα	Ποσότητα
Εκτροπέας αέρα		1
Στήριγμα		1
φ8 βύσματα rawl φ8x φ6 λευκό χρώμα		2
Βίδες ST4.0x30		2
Βίδες ST3,5x12		2

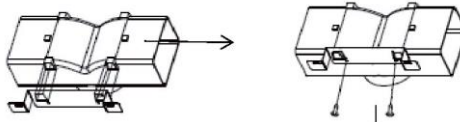
ΕΓΚΑΤΑΣΤΑΣΗ (ΕΚΤΡΟΠΕΑΣ ΑΕΡΑ):

Ο εκτροπέας αέρα αναφέρεται ως περιλαμβανόμενος και όχι προαιρετικός.

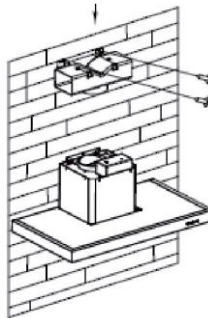
1. Πριν την εγκατάσταση, καμπυλώστε και τα δύο άκρα του στηρίγματος όπως φαίνεται παρακάτω:



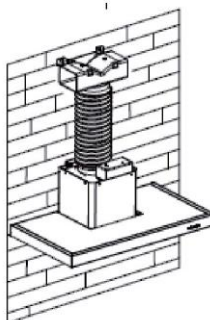
2. Στερεώστε το στήριγμα στην πλαστική έξοδο σχήματος T με 2 βίδες ST3,5x12 mm που παρέχονται.



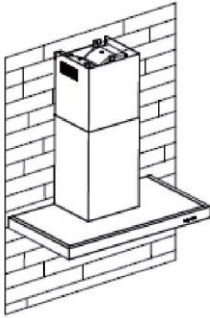
3. Ανοίξτε 2 τρύπες για να χωρέσετε τα βύσματα τοίχου και, στη συνέχεια, βιδώστε και σφίξτε το στήριγμα στον τοίχο με 2 τμχ βίδες ST4x30 mm που παρέχονται.



4. Συνδέστε τον σωλήνα εξαγωγής στην έξοδο αέρα του απορροφητήρα όπως φαίνεται παρακάτω:



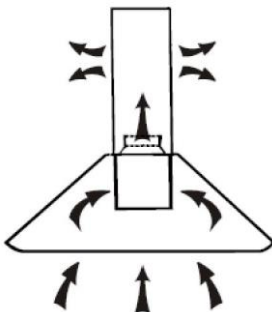
5. Τοποθετήστε την καμινάδα στη μονάδα και στερεώστε την.



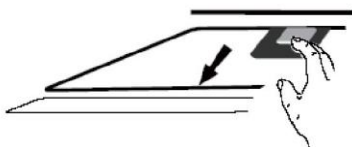
- «Σημειώστε: Η πλαστική έξοδος σε σχήμα T και τα πτερύγια σχήματος V δεν μπορούν να χρησιμοποιηθούν ταυτόχρονα. Μπορείτε να τα χρησιμοποιήσετε με δύο τρόπους: 1) Προσθέστε ένα πτερύγιο σχήματος V στην υπάρχουσα έξοδο, 2) Χρησιμοποιήστε την πλαστική έξοδο σε σχήμα T, χωρίς πρόσθετο πτερύγιο V.»
- «Σημείωση: Το προϊόν παρέχεται με αξεσουάρ πτερύγια σχήματος V. Αυτό το αξεσουάρ δεν είναι υποχρεωτικό για την εγκατάσταση, τη λειτουργία και τη χρήση του προϊόντος.»

ΕΓΚΑΤΑΣΤΑΣΗ (ΕΞΩΤΕΡΙΚΟΣ ΑΕΡΙΣΜΟΣ)

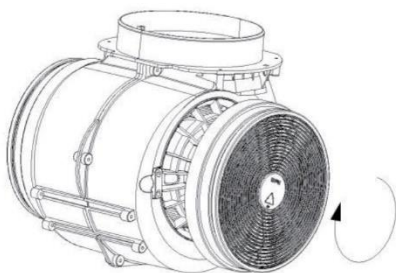
Εάν δεν υπάρχει έξοδος προς τα έξω, δεν απαιτείται σωλήνας εξαγωγής και η εγκατάσταση είναι παρόμοια με αυτή που εμφανίζεται στην ενότητα «ΕΓΚΑΤΑΣΤΑΣΗ (ΕΞΩΤΕΡΙΚΟΣ ΑΕΡΙΣΜΟΣ)».



Το φίλτρο ενεργού άνθρακα μπορεί να χρησιμοποιηθεί για την παγίδευση οσμών. Για να εγκαταστήσετε το φίλτρο ενεργού άνθρακα, πρέπει πρώτα να αφαιρέσετε το φίλτρο λίπους. Πιέστε την ασφάλεια και τραβήξτε την προς τα κάτω.



Συνδέστε το φίλτρο ενεργού άνθρακα στη μονάδα και γυρίστε το δεξιόστροφα. Επαναλάβετε το ίδιο και από την άλλη πλευρά.



ΚΛΕΙΣΤΟ

ΣΗΜΕΙΩΣΗ:

- Βεβαιωθείτε ότι το φίλτρο είναι καλά ασφαλισμένο. Διαφορετικά, θα χαλαρώσει και θα προκαλέσει επικίνδυνες καταστάσεις.
- Όταν τοποθετηθεί φίλτρο ενεργού άνθρακα, η ισχύς αναρρόφησης θα μειωθεί

ΠΕΡΙΓΡΑΦΗ ΕΞΑΡΤΗΜΑΤΩΝ

ΔΙΑΜΟΡΦΩΣΗ 1

1

2

3

B

B⁺



ΛΕΙΤΟΥΡΓΙΑ

1

Κουμπί χαμηλής ταχύτητας

Χρησιμοποιείται για τον εξαερισμό της κουζίνας. Είναι κατάλληλο για βράσιμο και μαγείρεμα που δεν παράγουν πολύ ατμό.

2

Κουμπί μεσαίας ταχύτητας

Η ταχύτητα ροής αέρα είναι ιδανική για εξαερισμό σε τυπική λειτουργία μαγειρέματος.

3

Κουμπί υψηλής ταχύτητας

Όταν παράγεται υψηλής πυκνότητας καπνός ή ατμός, πατήστε το κουμπί υψηλής ταχύτητας για πιο υψηλό αποτελεσματικό εξαερισμό.

B

Ενίσχυση 1 (ταχύτητα 4)

Πατήστε το κουμπί 1 ταχύτητας b, ο οπίσθιος φωτισμός του κουμπιού ταχύτητας B είναι αναμμένος και ο απορροφητήρας λειτουργεί σε λειτουργία ενίσχυσης.

B⁺

Ενίσχυση 2 (ταχύτητα 5)

Πατήστε το κουμπί 2 ταχύτητας b, ο οπίσθιος φωτισμός του κουμπιού ταχύτητας B⁺ είναι ενεργοποιημένος και ο απορροφητήρας λειτουργεί σε λειτουργία ενίσχυσης.



Φωτισμός

Σύντομο πάτημα για ενεργοποίηση και απενεργοποίηση του φωτισμού

Γρήγορο χρονόμετρο: Πατήστε παρατεταμένα το κουμπί του φωτισμού για 3 δευτερόλεπτα, τα κουμπιά ταχύτητας του ανεμιστήρα θα αναβοσβήνουν και θα μετρήσουν αντίστροφα για διάστημα 5 λεπτών, μετά από 5 λεπτά το μοτέρ και ο φωτισμός θα σβήσουν αυτόματα με τρεις ήχους του βομβητή.



Σύνδεση Wi-Fi

Πατήστε παρατεταμένα το εικονίδιο WiFi και εισέλθετε σε λειτουργία σύνδεσης: ο οπίσθιος φωτισμός του εικονιδίου WiFi συνεχίζει να αναβοσβήνει υποδεικνύοντας ότι η σύνδεση είναι υπό διαδικασία σύνδεσης, ο οπίσθιος φωτισμός του εικονιδίου WiFi είναι αναμμένος υποδεικνύοντας ότι είναι συνδεδεμένο, το ίδιο και για την κατάσταση αναμονής. Πατήστε ξανά παρατεταμένα το εικονίδιο WiFi και η σύνδεση θα διακοπεί.

ΔΙΑΜΟΡΦΩΣΗ 2

1

2

3

B



ΚΑΤΑΣΤΑΣΗ ΑΝΑΜΟΝΗΣ.

Μετά τη σύνδεση με την παροχή ρεύματος, όλος ο φωτισμός και το σύστημα μεταβαίνουν σε **ΛΕΙΤΟΥΡΓΙΑ ΑΝΑΜΟΝΗΣ**.

1

Κουμπί χαμηλής ταχύτητας

Χρησιμοποιείται για τον εξαερισμό της κουζίνας. Είναι κατάλληλο για βράσιμο και μαγείρεμα που δεν παράγουν πολύ ατμό.

2

Κουμπί μεσαίας ταχύτητας

Η ταχύτητα ροής αέρα είναι ιδανική για εξαερισμό σε τυπική λειτουργία μαγειρέματος.

3

Κουμπί υψηλής ταχύτητας

Όταν παράγεται υψηλής πυκνότητας καπνός ή ατμός, πατήστε το κουμπί υψηλής ταχύτητας για πιο υψηλό αποτελεσματικό εξαερισμό.

B

Λειτουργία ενίσχυσης

Αυτός ο απορροφητήρας διαθέτει λειτουργία ενίσχυσης. Για να ενεργοποιήσετε τη λειτουργία ενίσχυσης, πιέστε το B για την ταχύτητα 4, ενεργοποιείται η υψηλότερη ταχύτητα ενώ χρησιμοποιείται ο απορροφητήρας και θα αυξηθεί η ταχύτητα για 5 λεπτά, πριν μειωθεί ξανά.



Φωτισμός

Σύντομο πάτημα για ενεργοποίηση και απενεργοποίηση του φωτισμού

Γρήγορο χρονόμετρο: Πατήστε παρατεταμένα το κουμπί του φωτισμού για 3 δευτερόλεπτα, τα κουμπιά ταχύτητας του ανεμιστήρα θα αναβοσβήνουν και θα μετρήσουν αντίστροφα για διάστημα 5 λεπτών, μετά από 5 λεπτά το μοτέρ και ο φωτισμός θα σβήσουν αυτόματα με τρεις ήχους του βομβητή.



Σύνδεση Wi-Fi

Πατήστε παρατεταμένα το εικονίδιο WiFi και εισέλθετε σε λειτουργία σύνδεσης: ο οπίσθιος φωτισμός του εικονιδίου WiFi συνεχίζει να αναβοσβήνει υποδεικνύοντας ότι η σύνδεση είναι υπό διαδικασία σύνδεσης, ο οπίσθιος φωτισμός του εικονιδίου WiFi είναι αναμμένος υποδεικνύοντας ότι είναι συνδεδεμένο, το ίδιο και για την κατάσταση αναμονής. Πατήστε ξανά παρατεταμένα το εικονίδιο WiFi και η σύνδεση θα διακοπεί.

Λήψη της εφαρμογής hOn



Πρώτα απ' όλα, θα πρέπει να κατεβάσετε την εφαρμογή hOn και να την εγκαταστήσετε στη φορητή συσκευή σας. Στη συνέχεια, καταχωρήστε τον απορροφητήρα σας.



ΣΗΜΕΙΩΣΗ

Get ready to add your appliance

- 1 Stay close to your appliance
- 2 While in front of your appliance, ensure that your smartphone is connected to a 2.4GHz Wi-Fi network with a stronger signal
[CHANGE WI-FI SETTINGS](#)
- 3 Public networks are not allowed due to low security and reliability.
- 4 Prepare to enter your Home Wi-Fi password.

ΚΑΤΑΧΩΡΗΣΗ ΤΟΥ ΑΠΟΡΡΟΦΗΤΗΡΑ HAIER



Η εικόνα του απορροφητήρα έχει σαν σκοπό μόνο να τον απεικονίσει. Μπορεί να μην είναι απόλυτα αντιπροσωπευτική.

1- Πατήστε το κουμπί WiFi μέχρι να αρχίσει να αναβοσβήνει το εικονίδιο - όταν ολοκληρωθεί η σύζευξη, το εικονίδιο WiFi θα είναι πλέον ενεργοποιημένο.

ΣΥΝΤΗΡΗΣΗ

Πριν από τον καθαρισμό, απενεργοποιήστε τη μονάδα και βγάλτε την πρίζα.

I. Τακτικός καθαρισμός

Χρησιμοποιήστε ένα μαλακό πανί εμποτισμένο με ζεστό νερό με σαπούνι ή απορρυπαντικό οικιακού καθαρισμού. Μην χρησιμοποιείτε ποτέ μεταλλικά σφουγγαράκια, χημικά, λειαντικά υλικά ή σκληρή βούρτσα για να καθαρίσετε τη μονάδα.

II. Μηνιαίος καθαρισμός του φίλτρου λίπους

ΣΗΜΑΝΤΙΚΟ: Ο καθαρισμός του φίλτρου σε μηνιαία βάση μπορεί να αποτρέψει κάθε κίνδυνο πυρκαγιάς.

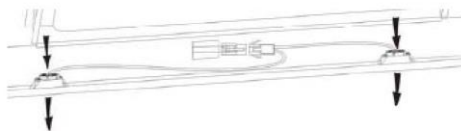
Το φίλτρο συλλέγει λίπος, καπνό και σκόνη, για τον λόγο αυτό το φίλτρο επηρεάζει άμεσα την απόδοση του απορροφητήρα. Εάν δεν καθαριστεί, τα υπολείμματα λίπους (δυσνητικά εύφλεκτα) θα κορεστούν στο φίλτρο. Καθαρίστε το με οικιακό απορρυπαντικό καθαρισμού.

III. Ετήσιος καθαρισμός για το φίλτρο ενεργού άνθρακα

Εφαρμόστε ΜΟΝΟ σε μονάδα που έχει εγκατασταθεί ως μονάδα ανακυκλοφορίας (δεν εξαερίζεται προς τα έξω). Αυτό το φίλτρο παγιδεύει τις οσμές και πρέπει να αντικαθίσταται τουλάχιστον μία φορά το χρόνο ανάλογα με τη συχνότητα χρήσης του απορροφητήρα.

IV. Αλλαγή του λαμπτήρα

Αφαιρέστε τις βίδες στο γυαλί, αφαιρέστε το γυαλί του απορροφητήρα. Βρείτε τον λαμπτήρα που χρειάζεται αντικατάσταση, θα τον βρείτε στο φωτιστικό που βρίσκεται μέσα στο εκτεθειμένο τμήμα του θόλου.



Αποσυνδέστε το σημείο καλωδίωσης του φωτός και αφαιρέστε τις βάσεις του λαμπτήρα και την καλωδίωση από τον απορροφητήρα. Σημαντικό: Δεν είναι δυνατή η μεμονωμένη αντικατάσταση των λαμπτήρων, θα χρειαστεί να προμηθευτείτε τους λαμπτήρες, τις βάσεις των λαμπτήρων και την καλωδίωση ως πλήρες εξάρτημα. (Φωτισμός LED: ΜΕΓ. 1,5W)

Τοποθετήστε τους ανταλλακτικούς λαμπτήρες, τις βάσεις των λαμπτήρων και την καλωδίωση με τους ίδιους τρόπους με τους πρωτότυπους. Στη συνέχεια, επανασυνδέστε το σημείο καλωδίωσης του φωτός.

Τοποθετήστε ξανά το γυαλί του απορροφητήρα και στερεώστε τις βίδες του γυαλιού. Βεβαιωθείτε ότι οι βίδες είναι πλήρως σφιγμένες.

ΑΝΤΙΜΕΤΩΠΙΣΗ ΠΡΟΒΛΗΜΑΤΩΝ

Σφάλμα	Αιτία	Λύση
Αναμμένο φως, αλλά ο ανεμιστήρας δεν λειτουργεί	Η λεπίδα του ανεμιστήρα είναι μπλοκαρισμένη.	Απενεργοποιήστε τη μονάδα και προχωρήστε σε επισκευή μόνο από εξειδικευμένο προσωπικό σέρβις.
	Το μοτέρ είναι κατεστραμμένο.	
Ο φωτισμός και ο ανεμιστήρας δεν λειτουργούν	Καμένος λαμπτήρας αλογόνου.	Αντικαταστήστε τον λαμπτήρα με τον κατάλληλο λαμπτήρα.
	Το καλώδιο ρεύματος έχει χαλαρώσει.	Συνδέστε ξανά στην τροφοδοσία ρεύματος.
Σοβαρή δόνηση της μονάδας	Η λεπίδα του ανεμιστήρα είναι κατεστραμμένη.	Απενεργοποιήστε τη μονάδα και προχωρήστε σε επισκευή μόνο από εξειδικευμένο προσωπικό σέρβις.
	Το μοτέρ του ανεμιστήρα δεν είναι σφιχτά στερεωμένο.	Απενεργοποιήστε τη μονάδα και προχωρήστε σε επισκευή μόνο από εξειδικευμένο προσωπικό σέρβις.
	Η μονάδα δεν είναι αναρτημένη σωστά στο στήριγμα.	Κατεβάστε τη μονάδα και ελέγξτε εάν το στήριγμα βρίσκεται στη σωστή θέση.
Η απόδοση αναρρόφησης δεν είναι καλή	Πολύ μεγάλη απόσταση μεταξύ της μονάδας και του επιπέδου μαγειρέματος	Προσαρμόστε ξανά την απόσταση στα 65-75 cm

Τεχνολογία	Wi-Fi
Βασικό	802,11 b/g/n
Ζώνη (-ες) συχνοτήτων [MHz]	2400 MHz - 2483.5 MHz
Μέγιστη ισχύς [mW]	100 mW

ΥΠΗΡΕΣΙΑ ΥΠΟΣΤΗΡΙΞΗΣ ΠΕΛΑΤΩΝ

Εάν δεν μπορείτε να προσδιορίσετε την αιτία της ανωμαλίας λειτουργίας, απενεργοποιήστε τη συσκευή και επικοινωνήστε με την υπηρεσία υποστήριξης.

ΣΕΙΡΙΑΚΟΣ ΑΡΙΘΜΟΣ ΠΡΟΪΟΝΤΟΣ. Που μπορώ να τον βρω;

Είναι σημαντικό να ενημερώσετε την Υπηρεσία Υποστήριξης για τον κωδικό του προϊόντος σας και τον σειριακό του αριθμό (ένας κωδικός 16 χαρακτήρων που αρχίζει με τον αριθμό 3). Αυτός μπορεί να βρεθεί στο πιστοποιητικό εγγύησης ή στην πινακίδα χαρακτηριστικών που βρίσκεται στη συσκευή.

Αυτό θα βοηθήσει στην αποφυγή χαμένων διαδρομών των τεχνικών, εξοικονομώντας έτσι (και το πιο σημαντικό) τις αντίστοιχες χρεώσεις κλήσης.

Αυτή η συσκευή φέρει σήμανση σύμφωνα με την ευρωπαϊκή οδηγία 2012/19/ΕΕ σχετικά με τα απόβλητα ηλεκτρικού και ηλεκτρονικού εξοπλισμού (WEEE).



Η Οδηγία περί Απορριμμάτων Ηλεκτρικών και Ηλεκτρονικών Συσκευών (WEEE) περιλαμβάνει ρυπογόνες ουσίες (που μπορούν να έχουν αρνητικές συνέπειες για το περιβάλλον) και βασικά εξαρτήματα (για επαναχρησιμοποίηση).

Είναι σημαντικό, σύμφωνα με την WEEE, να υπάρχουν ειδικές μέθοδοι επεξεργασίας, για την αφαίρεση και κατάλληλη επεξεργασία όλων των ρύπων, και ανάκτηση των ανακυκλώσιμων υλικών.

Τα φυσικά πρόσωπα μπορούν να παίξουν σημαντικό ρόλο και να εξασφαλίσουν ότι τα απορρίμματα ηλεκτρικών και ηλεκτρονικών συσκευών δεν προκαλεί περιβαλλοντικά θέματα. Γι' αυτό, είναι απαραίτητο να ακολουθήσουν ορισμένους βασικούς κανόνες:

Τα (αναφερόμενα στη λίστα) WEEE δεν πρέπει να αντιμετωπίζονται ως οικιακά απορρίμματα.

Τα (αναφερόμενα στη λίστα) WEEE πρέπει να παραδοθούν στα σχετικά σημεία συλλογής που διαχειρίζεται ο δήμος ή οι ειδικά εξουσιοδοτημένες σχετικά εταιρείες. Σε πολλές χώρες, πιθανόν να υπάρχουν ειδικές υπηρεσίες αποκομιδής απορριμμάτων ηλεκτρικών και ηλεκτρονικών συσκευών.

Σε πολλές χώρες, όταν αγοράζετε μια νέα συσκευή, η παλαιά μπορεί να επιστραφεί στον έμπορο λιανικής ο οποίος πρέπει να την παραλάβει δωρεάν με βάση την αρχή "ένα προς ένα", αρκεί ο εξοπλισμός να είναι ισοδύναμου τύπου και να έχει την ίδια λειτουργία με τον παρεχόμενο εξοπλισμό.

KURULUM VE KULLANIM KILAVUZU

İÇİNDEKİLER

GİRİŞ	211
GÜVENLİK ÖNLEMİ	211
ELEKTRİK TESİSATI	213
TEKNİK ÖZELLİKLER	214
KURULUM (DIŞ HAVALANDIRMA)	215
KURULUM (İÇ HAVALANDIRMA)	222
PARÇALARIN TANITIMI	223
ÇALIŞTIRMA	223
BAKIM	226
SORUN GİDERME	227
YÖNERGELERE UYUM	228
ÇEVREYİ KORUMA	228

GİRİŞ

Bu davlumbazı seçtiğiniz için teşekkür ederiz.

Bu kullanım kılavuzu, size cihazın kurulumu, kullanımını ve bakımı ile ilgili tüm gerekli talimatları sağlamak için tasarlanmıştır.

Ünitemi doğru ve güvenli bir şekilde çalıştırmak için lütfen kurulum ve kullanımdan önce bu kullanım kılavuzunu dikkatlice okuyun.

Davlumbaz yüksek kaliteli malzemelerden üretilmiştir ve modern bir tasarıma sahiptir. Büyük güçlü elektrik motoru ve santrifüj fan ile donatılmış olmanın yanı sıra, güçlü emiş gücü, düşük ses ile çalışma, yapışmaz yağ filtresi ve kolay montaj olanağı sunar.

Candy Hoover Group Srl, işbu belgeyle, radyo ekipmanının 2014/53/EU Yönergesi ve ilgili Yasal Gereklilikler (UKCA pazarı için) ile uyumlu olduğunu beyan eder.

Uygunluk beyanının tam metnine aşağıdaki internet adresinden ulaşılabilir:
www.candy-group.com

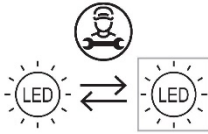
GÜVENLİK ÖNLEMİ

- Çocukların makineyi kullanmasına kesinlikle izin vermeyin.
- Davlumbaz sadece evde kullanım içindir, mangal ve et restoranları ve diğer ticari amaçlar için uygun değildir.
- Davlumbaz ve filtresi, iyi çalışır durumda kalması için düzenli olarak temizlenmelidir.
- Davlumbazı kullanım kılavuzuna göre temizleyin ve cihazı yanma tehlikesine karşı koruyun.
- Gazlı ocakta fırın işlerinin yapılmasını önleyin.
- Lütfen mutfağın ısı yayılımının iyi olmasını sağlayın.
- Bu cihazı bağlamadan önce güç kaynağı kablusunun hasarlı olup olmadığını kontrol edin. Hasarlı bir besleme kablosu yalnızca kalifiye servis personeli tarafından değiştirilmelidir.
- Davlumbaz, gaz veya diğer yakıtları kullanan cihazlarla aynı anda kullanıldığında, odadaki havalandırma yeterli olmalıdır;
- Hava, gaz ya da başka yakıtlar kullanan cihazlardan çıkan dumanı boşaltmak için kullanılan bir baca borusuna tahliye edilmemelidir.
- Hava tahliyesine ilişkin düzenlemelere uyulmalıdır.

- Çocuklar, cihazla oynamadıklarından emin olmak için gözetim altında tutulmalıdır.
- Davlumbazın altında yemekleri alevlendirerek pişirmeyin. Davlumbaz, dörtten fazla ocak elemanı bulunan bir ocak üzerine kurulmak üzere tasarlanmamıştır
- Davlumbaz, gaz veya diğer yakıtları yakan cihazlarla aynı anda kullanıldığında, odadaki havalandırma yeterli olmalıdır (sadece havayı odaya geri veren cihazlar için geçerli değildir);
- temizleme yöntemi ve sıklığı ile ilgili ayrıntılar.
- talimatlara uygun temizlik yapılmazsa yangın riski mevcuttur;
- davlumbazın altında alev neden olmayın;
- DİKKAT: Erişilebilir parçalar, pişirme cihazlarıyla birlikte kullanıldıklarında ısınabilir.

Elektrik Çarpması Tehlikesi

- ~ Bu üniteyi yalnızca uygun şekilde topraklanmış bir prize takın. Şüpheniz varsa, uygun vasıflara sahip bir mühendisten tavsiye alın.
- ~ Bu talimatlara uyulmaması ölüme, yangına veya elektrik çarpmasına neden olabilir.



Bu üründe kullanılan lamba bir odanın aydınlatılmasında kullanıma uygun değildir.

Bu lambanın amacı, ürünün kullanımı için aydınlatma sağlamaktır.

Tüm kurulum, yetkili bir kişi veya kalifiye bir elektrikçi tarafından yapılmalıdır. Şebeke beslemesini bağlamadan önce, şebeke geriliminin anma değeri plakasındaki gerilimle aynı olduğundan emin olun.

Doğrudan Bağlantı

Cihaz, kontaklar arasında minimum 3 mm açıklığa sahip çok kutuplu bir devre kesici kullanılarak doğrudan şebekeye bağlanmalıdır.

Montajı yapan kişi, doğru elektrik bağlantısının yapıldığından ve bağlantı şemasına uygun olduğundan emin olmalıdır.

Kablo bükülmemeli veya sıkıştırılmamalıdır.

Elektrik fişini ve elektrik kablosunu hasara karşı düzenli olarak kontrol edin.

Besleme kablosu hasarlıysa, üretici veya servis acentesinden temin edilebilen özel bir kablo veya tertibat ile değiştirilmelidir.

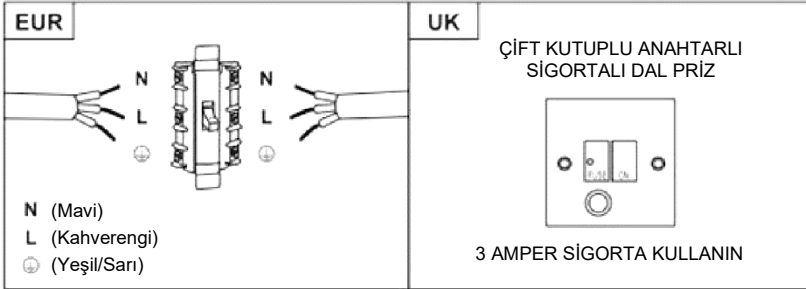
UYARI: Bu bir Sınıf I cihazdır ve TOPRAKLANMALIDIR

Bu cihaz, aşağıdaki renklere sahip 3 damarlı bir elektrik kablosuyla birlikte gelir:

Kahverengi = L veya Yüklü

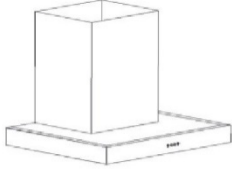
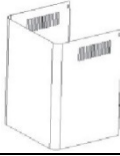
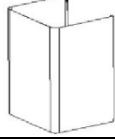

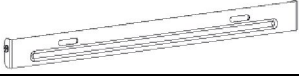






Mavi = N veya Nötr

Yeşil ve Sarı = E veya Topraklama 



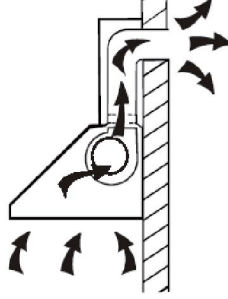
Sigorta 3 Amper değerinde olmalıdır.

Standart Kurulum Aksesuarları Listesi

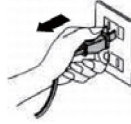
Teknik Özellik	İllüstrasyon Resim	Adet
Kasa		1
Üst Baca		1
Alt Baca		1
Alt baca braketi		1
Üst baca braketi		1
Asma Levhası		1
$\varphi 8$ dübel $\varphi 8 \times \varphi 6$ beyaz renk		9
Vida ST4.0×30		9
$\varphi 7.2$ vida ST4.0×8		2
Hava çıkışı		1
Karbon filtre		2

KURULUM (duvara montaj)

Dışarıya bir çıkışınız varsa davlumbazınız bir çekme hava kanalı (iç çapı 150 mm olan emaye, alüminyum, alev almaz esnek boru) vasıtasıyla aşağıdaki resimdeki gibi bağlanabilir



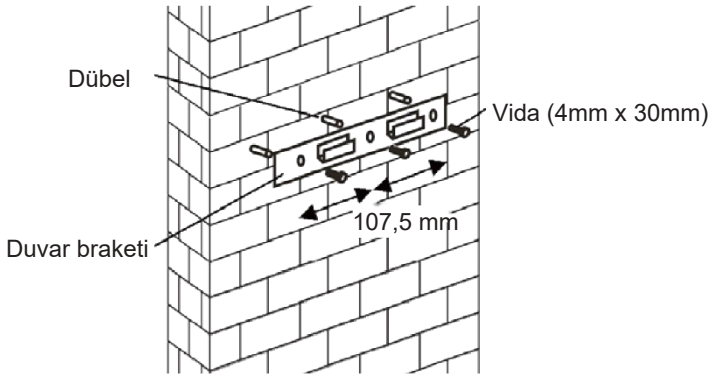
1. Kurulumdan önce üniteyi kapatın ve fişini prizden çekin.



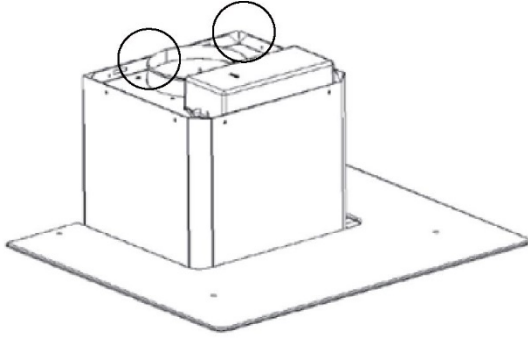
2. Davlumbaz, en iyi etki için pişirme düzleminin 65~75 cm yukarısına yerleştirilmelidir.



3. Braketi yerleştirmek için 3 x 8 mm'lik delikler açın. Braketi verilen vidalarla duvara vidalayın ve sıkın.



4. Davlumbazı kaldırın ve duvar braketini kancasına asın.

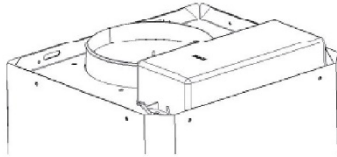


5. Tek yönlü valfi davlumbazın hava çıkışına sabitleyin. Ardından egzoz borusunu aşağıda gösterildiği gibi tek yönlü valfe takın.

Tahliye borusu

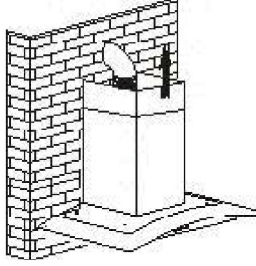


Davlumbaz

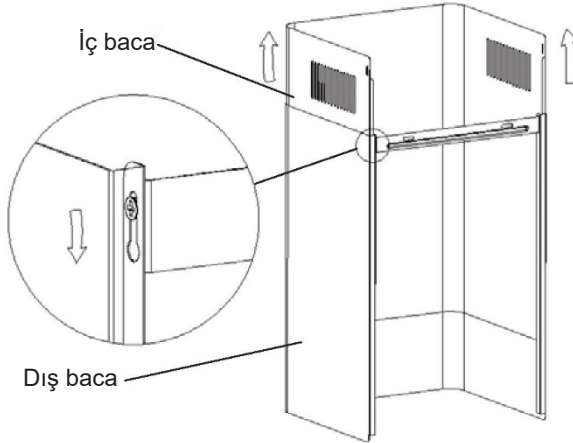


6.

- i. Camı davlumbazın üstünde uygun konuma yerleştirin.
 - ii. 4 vida ve rondela ile sabitleyin. Camın çatlamasını önlemek için lütfen vidaları çok fazla sıkmayın.
- i. Dış bacanın içine iç bacayı yerleştirin. Ardından iç bacayı yukarı doğru çekerek çıkarın. Gerekli yüksekliğe ulaşacağı şekilde ayarlayın.

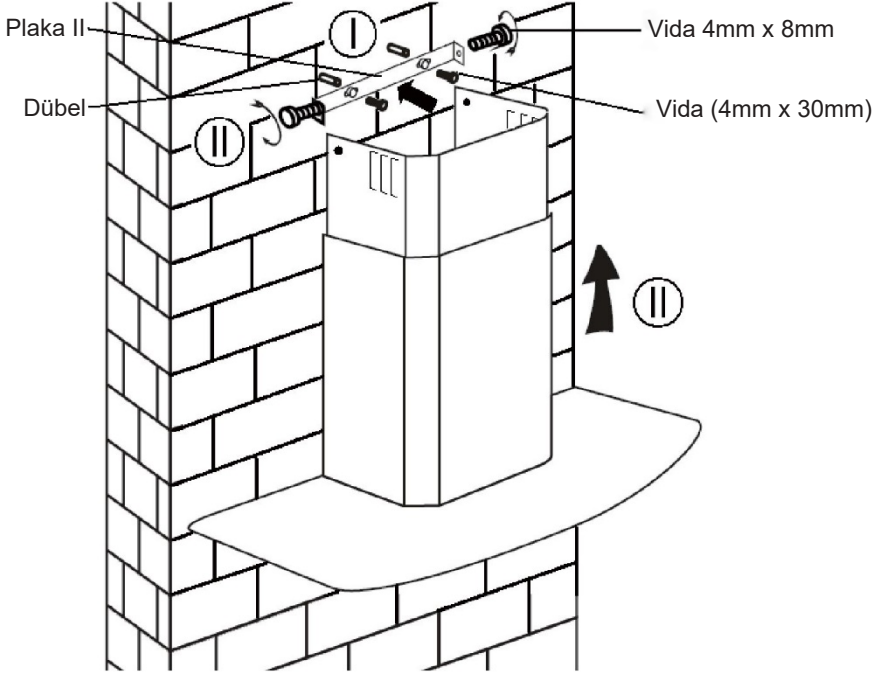


- ii. Baca yüksekliğini ayarlamak için bacayı kaydırın. İstediğiniz yüksekliğe ulaşıldığında, aşağıdaki resimlerde gösterildiği gibi sabitleme deliğini sabitleme vidalarına asın.

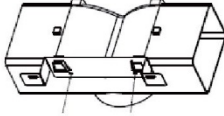
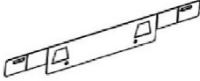





8.

- i. Plaka II'yi yerleřtirmek için 2 x 8 mm'lik delikler açın.
Plaka II'yi verilen 2 vidayla duvara vidalayın ve sıkın.
- ii. Bacayı üniteye monte edin ve 2 vida ile sabitleyin.



Standart Kurulum Aksesuarları Listesi

Teknik Özellik	İllüstrasyon Resim	Adet
Hava Deflektörü		1
Braket		1
$\phi 8$ dübel $\phi 8 \times \phi 6$ beyaz renk		2
Vida ST4.0×30		2
Vida ST3.5×12		2

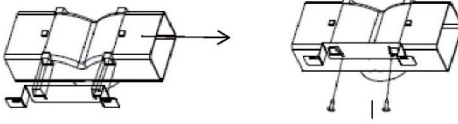
KURULUM (HAVA DEFLEKTÖRÜ):

Hava deflektörü isteğe bağlı değil, birlikte verilen olarak belirtilmiştir.

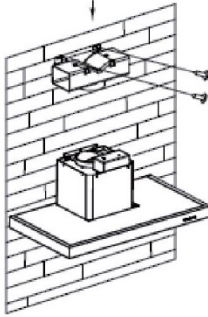
1. Kurulumdan önce, braketin her iki ucunu aşağıda gösterildiği gibi eğin:



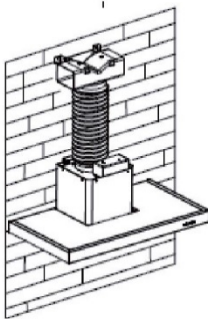
2. Braketi, sağlanan 2 adet ST3,5x12mm vida ile T şeklindeki plastik çıkışa sabitleyin.



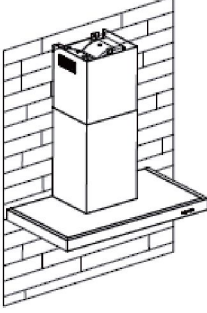
3. Dübelleri yerleştirmek için 2 delik açın, ardından braketi verilen 2 adet ST4x30mm vidayla duvara vidalayın ve sıkın.



4. Tahliye borusunu aşağıda gösterildiği gibi davlumbazın hava çıkışına takın:



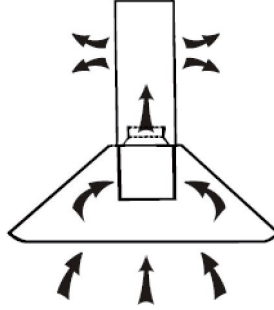
5. Bacayı üniteye takın ve sabitleyin.



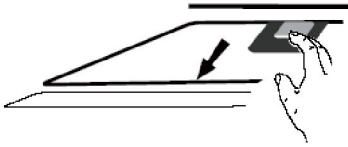
- “Lütfen dikkat: T şeklindeki plastik çıkış ve v kanatçıklar aynı anda kullanılamaz. Bunları iki şekilde kullanabilirsiniz:
1) Mevcut çıkışa v-kanatçığı ekleyin;
2) T şeklinde plastik çıkış kullanın, v-kanatçığı eklemeyin.”
- “Not: Ürün v-kanatçık aksesuarı ile birlikte verilmektedir. Bu aksesuar ürünün kurulumu, çalıştırılması ve kullanımı için zorunlu değildir.”

KURULUM (İÇ HAVALANDIRMA)

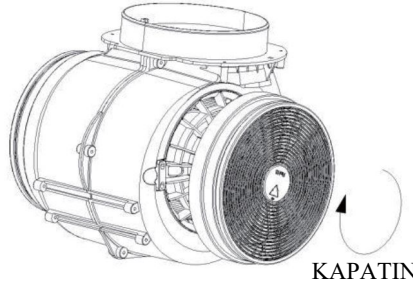
Dışarı bir çıkışınız yoksa, tahliye borusu gerekli değildir ve kurulum “KURULUM (DIŞ HAVALANDIRMA)” bölümünde gösterilene benzer.



Kokuları hapsedmek için aktif karbon filtre kullanılabilir.
Aktif karbon filtreyi takmak için önce yağ filtresinin sökülmesi gerekir.
Kilidi bastırın ve aşağı doğru çekin.



Aktif karbon filtreyi üniteye takın ve saat yönünde çevirin.
Diğer tarafta da aynısını tekrarlayın.



NOT:

- *Filtrenin güvenli bir şekilde kilittendiğinden emin olun. Aksi takdirde gevşer ve tehlikeli hale gelir.*
- *Aktif karbon filtre takıldığında emiş gücü düşecektir*

PARÇALARIN TANITIMI

KONFIGÜRASYON 1

1

2

3

B

B⁺



CALIŞTIRMA

1

Düşük Hız düğmesi

Mutfakta Havalandırma için kullanılır. Fazla buhar yapmayan haşlama ve pişirme işlemleri için uygundur.

2

Orta Hız düğmesi

Hava akış hızı, standart pişirme işleminde havalandırma için idealdir.

3

Yüksek Hız düğmesi

Yüksek yoğunlukta duman veya buhar oluştuğunda, yüksek etkili havalandırma için yüksek hız düğmesine basın.

B

Boost 1(hız 4)

Hız b düğmesine 1 basın, hız B düğmesinin arkadan aydınlatması açık ve davlumbaz boost modunda çalışıyor;

B⁺

Boost 2(hız 5)

Hız b düğmesine 2 basın, hız B⁺ düğmesinin arkadan aydınlatması açık ve davlumbaz boost modunda çalışıyor;



Işık

Aydınlatmayı açıp kapatmak için kısa süreyle basın

Hızlı zamanlayıcı: Işık düğmesini 3 saniye basılı tutun, fan hızı düğmeleri yanıp sönecek ve 5 dakika geri sayım yapacaktır, 5 dakika sonra motor ve ışık üç Uyarı sesiyle otomatik olarak kapatılacaktır.



Wi-Fi Bağlantısı

WiFi simgesine uzun basın ve bağlantı moduna girer: WiFi simgesinin arka ışığı bağlantı kurulmaya çalışıldığını göstermek için sürekli yanıp söner, bağlantı kurulduğunu göstermek için WiFi simgesinin arka ışığı sürekli yanmaya başlar, aynısı bekleme modu için de geçerlidir, WiFi simgesine tekrar uzun basın, bağlantı durdurulacaktır.

KONFIGÜRASYON 2

1

2

3

B



BEKLEME MODU.

Fiş taktıktan sonra, tüm aydınlatma, sistem **BEKLEME MODUNDA**.

1

Düşük Hız düğmesi

Mutfakta Havalandırma için kullanılır. Fazla buhar yapmayan haşlama ve pişirme işlemleri için uygundur.

2

Orta Hız düğmesi

Hava akış hızı, standart pişirme işleminde havalandırma için idealdir.

3

Yüksek Hız düğmesi

Yüksek yoğunlukta duman veya buhar oluştuğunda, yüksek etkili havalandırma için yüksek hız düğmesine basın.

B

Güçlü Çalışma İşlevi

Bu davlumbazda bir güçlü çalışma işlevi bulunmaktadır. Güçlendiriciyi etkinleştirmek için, davlumbaz kullanımdayken hız 4'e ulaşmak için **B** düğmesine basın; davlumbaz tekrar yavaşlamadan önce 5 dakika boyunca hızı artıracaktır.



Işık

Aydınlatmayı açıp kapatmak için kısa süreyle basın

Hızlı zamanlayıcı: Işık düğmesini 3 saniye basılı tutun, fan hızı düğmeleri yanıp sönecek ve 5 dakika geri sayım yapacaktır, 5 dakika sonra motor ve ışık üç Uyarı sesiyle otomatik olarak kapatılacaktır.



Wi-Fi Bağlantısı

WiFi simgesine uzun basın ve bağlantı moduna girer: WiFi simgesinin arka ışığı bağlantı kurulmaya çalışıldığını göstermek için sürekli yanıp söner, bağlantı kurulduğunu göstermek için WiFi simgesinin arka ışığı sürekli yanmaya başlar, aynısı bekleme modu için de geçerlidir, WiFi simgesine tekrar uzun basın, bağlantı durdurulacaktır.



hOn uygulamasını indir

Öncelikle, hOn APP'i indirip taşınabilir cihazınıza kurmalısınız. Ardından davlumbazınızı kaydedin.



NOT

Get ready to add your appliance

- 1 Stay close to your appliance
- 2 While in front of your appliance, ensure that your smartphone is connected to a 2.4GHz Wi-Fi network with a stronger signal

CHANGE WI-FI SETTINGS

- 3 Public networks are not allowed due to low security and reliability.
- 4 Prepare to enter your Home Wi-Fi password.

HAIER DAVLUMBAZI KAYDEDİN



Davlumbaz resmi yalnızca tanıtım amacıyla verilmiştir. tam olarak ürünü temsil etmeyebilir.

- 1 - Simge yanıp sönmeye başlayana kadar WiFi düğmesine basın
Eşleştirme tamamlandığında WiFi simgesi açık olacaktır.

BAKIM

Temizlemeden önce cihazı kapatın ve fişini çekin.

I. Düzenli Temizlik

Elinizin dayanabileceği sıcaklıkta, ılık hafif sabunlu su veya ev temizlik deterjanı ile nemlendirilmiş yumuşak bir bez kullanın. Üniteyi temizlemek için asla metal tel sünger, kimyasal, aşındırıcı malzeme veya sert fırçalar kullanmayın.

II. Aylık Yağ Filtresi Temizliği

GEREKLİ: Filtreyi her ay temizlemek yangın riskini önleyebilir.

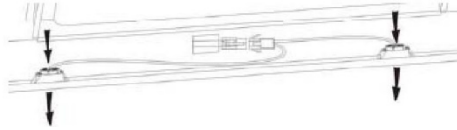
Filtre yağ, duman ve tozu toplar.....bu nedenle filtre, davlumbazın verimini doğrudan etkiler. Temizlenmediği takdirde, yağ kalıntısı (potansiyel yanıcı) filtrenin üzerini dolduracaktır. Bu parçayı ev temizlik deterjanı ile temizleyin.

III. Aktif Karbon Filtre için Yıllık Temizlik

YALNIZCA resirkülasyon ünitesi olarak kurulan üniteye uygulayın (açık havaya tahliye olmadığında). Bu filtre kokuları hapseder ve davlumbazın ne sıklıkta kullanıldığına bağlı olarak yılda en az bir kez değiştirilmelidir.

IV. Ampul değiştirme

Camdaki vidaları sökün, davlumbaz camını çıkarın. Değiştirilmesi gereken ampulü bulun, bu ampul, cam bölmesinin açıkta kalan kısmındaki aydınlatma armatüründe bulunur.



Işık kablolama noktasını ayırın, ampul duylarını ve kabloları davlumbazdan çıkarın. Önemli: Ampulleri tek tek değiştirmek mümkün değildir, ampulleri, duyları ve kabloları komple bir parça olarak temin etmek gerekecektir. (LED ışığı: MAKS 1.5W)

Yedek ampulleri, ampul duylarını ve kabloları orijinaleri ile aynı şekilde takın. Ardından ışık kablolama noktasını yeniden bağlayın.

Davlumbaz camını tekrar takın ve cam vidalarını sıkın. Vidaların tamamen sıkıldığından emin olun.

SORUN GİDERME

Arıza	Neden	Çözüm
Işık açık, ancak fan çalışmıyor	Fan kanadı sıkışmıştır.	Üniteyi kapatın ve yalnızca yetkili servis personeli tarafından onarılmasını sağlayın.
	Motor hasarlıdır.	
Hem ışık hem de fan çalışmıyor	Halojen ampulü yanmıştır.	Ampulü doğru derecelendirmede ampulle değiştirin.
	Güç kablosu gevşektir.	Güç kaynağına tekrar takın.
Yüksek Düzeyde Ünite Titreşimi	Fan kanadı hasarlıdır.	Üniteyi kapatın ve yalnızca yetkili servis personeli tarafından onarılmasını sağlayın.
	Fan motoru sıkıca sabitlenmemiştir.	Üniteyi kapatın ve yalnızca yetkili servis personeli tarafından onarılmasını sağlayın.
	Ünite brakete düzgün şekilde asılmamıştır.	Üniteyi indirin ve braketin doğru yerde olup olmadığını kontrol edin.
Emiş performansı iyi değil	Ünite ve pişirme düzlemi arasındaki mesafe çok fazladır	Mesafeyi 65-75cm olarak yeniden ayarlayın

Teknoloji	Wi-Fi
Standart	802.11 b/g/n
Frekans Bantları [MHz]	2400 MHz - 2483,5 MHz
Maksimum Güç [mW]	100 mW

Ağ bağlantılı donanım için ürün bilgileri	
Tüm kablolu ağ bağlantı noktaları bağlı ve tüm kablosuz ağ bağlantı noktaları etkin ise, ağ bağlantılı beklemedeki ürünün güç tüketimi:	2W
Kablosuz ağ bağlantı noktası nasıl etkinleştirilir:	Davlumbaz, APP'e kayıtlıysa, kablosuz ağ bağlantı noktasını etkinleştirmek için Davlumbaz'ı açın.
Kablosuz ağ bağlantı noktası nasıl devre dışı bırakılır:	Davlumbaz, APP'e kayıtlıysa, kablosuz ağ bağlantı noktasını devre dışı bırakmak için Davlumbaz'ı kapatın. Davlumbaz, APP'e kayıtlı değilse, Davlumbaz açık olsa bile kablosuz ağ bağlantı noktası devre dışı bırakılır.

MÜŞTERİ DESTEK HİZMETİ

Çalışma anormalliğinin nedenini belirleyemiyorsanız, cihazı kapatın ve Destek Hizmeti ile iletişime geçin.

ÜRÜN SERİ NUMARASI. Bunu nereden bulabilirim?

Ürün kodunuz ve seri numarası (3 ile başlayan 16 karakterlik bir kod) ile Yardım Servisine bilgi vermeniz önemlidir; bu bilgiler, garanti belgesinde veya cihazın üzerindeki ürün bilgi etiketinde bulunmaktadır.

Bu, teknisyenlerin boşu boşuna gidip gelmesinin önlenmesine yardımcı olacak ve böylece (ve en önemlisi) ilgili servis çağırma ücretlerinden tasarruf etmenizi sağlayacaktır.

Bu cihaz, Elektrikli ve Elektronik Atık Ekipman (WEEE) ile ilgili 2012/19/AB sayılı Avrupa direktifine göre işaretlenmiştir.



WEEE hem kirletici maddeleri (çevre için olumsuz sonuçlara neden olabilen) hem de temel bileşenleri (yeniden kullanılabilen) içerir. Tüm kirleticileri uygun şekilde uzaklaştırmak ve bertaraf etmek, tüm malzemeleri geri kazanmak ve geri dönüştürmek için WEEE'nin belirli işlemlere tabi tutulması önemlidir. Bireyler, WEEE'nin bir çevre sorunu haline gelmemesini sağlamada önemli bir rol oynayabilir; birkaç temel kurala uyulması önemlidir:

WEEE evsel atık olarak muamele görmemelidir;

WEEE, belediye veya tescilli şirketler tarafından yönetilen ilgili toplama noktalarına teslim edilmelidir. Birçok ülkede, büyük WEEE'ler için evden alma hizmeti mevcut olabilir.

Birçok ülkede, yeni bir cihaz satın aldığınızda, eski cihaz, ekipmanın eşdeğer tipte olması ve sağlanan ekipmanla aynı işleve sahip olması koşuluyla, bire bir esasında ücretsiz olarak bu cihazı alması gereken satıcıya iade edilebilir.